

JUST FOR OPENERS

PO Box 64 Chapel Hill, NC 27514-0064 (919) 419-1546
Past Editors Don Bull (1979-83) Ed Kaye (1984-1988) Art Santen (1989-1993)

Membership Renewals / Annual Dues \$20.00

If the label on your Newsletter Mailing Envelope has an Expiration Date of 03/31/97, please pay your dues now. A membership renewal card should be enclosed. Other members please verify the expiration date shown on your mailing label. If you do not agree with the date please notify me.

1997 Convention Buffalo, NY (April 23rd to 27th 1997)

Where will you be April 23-27 1997? I hope at the JFO Convention in Amherst, NY. I look forward to meeting the many telephone voices and letter writers I've known over the years. Why is the convention in the Buffalo, NY area? Because, I got this crazy idea to host a convention! And, I can't wait for it to happen. Non subliminal message: I collect N.Y. State openers. What else is there to do in Buffalo? Much, see a hockey game, watch the snow fall, go to the Albright-Knox Art Museum (one of the top contemporary art museums in the world), see the many sights, check out the Architecture!) and much more. Oh don't forget you can see the only M-3-39 Hialeah known to exist. Watch Mark trade it! Did I mention Niagara Falls, it is only 30 minutes away. Don't forget I collect N.Y. State openers.

Convention Host for 1997 Mark Barren

Mark's List of Things to Remember for the 1997 Convention

- 1) Watch the motel cut off date for rooms
- 2) Please **register for convention with Mark Barren by April 1st**
- 3) **Motel room reservations are direct to motel** not through Mark
- 4) Please let Mark know if you are bringing a display and its size
- 5) Mark needs to hear from you if you want to see Niagara Falls by April 1
- 6) Mark needs to know the number one opener on your want list with your registration
- 7) Mark will be trading from his non N.Y. State collection (including New Discoveries and New Additions) for N.Y. openers
- 8) Bring openers for the **Convention Auction!**

Preliminary Convention Itinerary

Wednesday April 23rd	Early Arrivals & Room-To-Room Trading
Thursday April 24th	Arrivals & Room-To-Room Trading/Brew Pub Tour
Friday April 25th	Room-To-Room Trading/Niagara Falls Tour (10-2)/Auction
Saturday April 26th	Trade Show (9-3)/Group Dinner at Shannon Brew Pub
Sunday April 27th	Go Home and Start Getting Ready for San Francisco in 1998

Note the Hospitality room will be open Afternoons to Late at Night
Mark is working on a Shopping Mall Expedition for the Ladies (the area's largest shopping mall is 5 minutes from the hotel)

JFO is Moving to a Post Office Box

Due to a raid on the neighborhood mail boxes right before Christmas, I decided to have all mail sent through a Post Office Box for JFO. The new JFO mailing address is below. Mail can still be sent to our home address, but it would be safer to send it to the PO Box.

Just For Openers or John Stanley
PO Box 64
Chapel Hill, NC 27514-0064

1997 Handbook (Due out the End Of January)

The 1997 Handbook of United States Beer Advertising Openers and Corkscrews will be available by the end of January. The cost is \$22.00 (sent book rate) or \$24.00 (sent 1st class). This edition includes the 1996 Handbook plus 1996 new discoveries plus 1997 new additions.

Thank You for Your Holiday Wishes

We receive Christmas cards from numerous JFO members, which pleases us, as it shows your appreciation. We would like to thank everyone for the wishes you send, as the list is getting so long, that we can't respond individually as we would like. Hopefully, you will feel the care we feel for this club as we correspond with so many of you throughout the year.

New E-Mail Addresses

The following JFO members sent in their E-Mail addresses.

Ed Broders USBCLEAB@IBMAIL.COM

"Opener Trivia"

I decided to change this category from "Art Asks" to "Opener Trivia". Bill McKenzie originated the title and it is probably the most popular topic in each newsletter.

Sandra Emme found the following E-11 soda opener, "A.B.C.D. Washington 6, D.C. / Bottled Soft Drinks Good and Good For You". Does anyone know what A.B.C.D. stands for?

Ollie Hibbeler found a P-8 marked "Henry Schaefer El Reno, Oklahoma". Does anyone know anything about this company.

Vic Keown found and A-4 marked "Hagan & Rundle Nauvoo, ILL.". Does anyone know anything about this town or who Hagan & Rundle are? Vic also turned up a B-21 marked "Compliments of C.E. Meyers and W.T. Moreland / Distributors of Bone Dry 210 So Greenwood St. Tulsa, Okla.". I believe Bone Dry was a soda?

Jim Osborn wants to know if anyone has any information about the following E-4 in his collection, "Peacock Ale. Co. Chicago / "Four Hundred Club" The Aristocrat of Beverages".

Art Santen reports that he has an A-16 Chicago World's Fair opener (from the April issue) without initials.

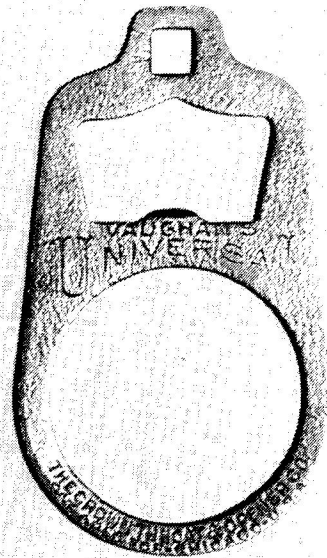
"Opener Trivia" (continued)

John Vlossak responded to Art's question about "what is Lithia water?", from the last issue. When I was a young boy my father, who had a beer and soda distributorship in Eastern Pennsylvania, sold a lemon drink called "Premo Gassosa" bottled in Philadelphia. It was described as "Lithiated Lemon" and contained Sodium Citrate among its ingredients. Could this be a variant of Lithia Water? The Aldrich catalog of 94-95 p. 373 lists Lithium Citrate with the formula: LiOCCH2C(OH)(LiO2)CH2CO2Li.XH2O. Item #11,5407 in the Merk Index gives the formula as C6H5Li3O7 with a molecular weight of 279.96 and indicates it is used in soft drinks. (John, thanks for the response and it certainly sounds like it is used to make sodas.)

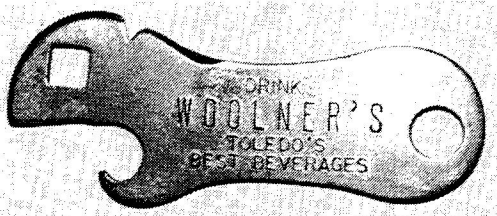
Art wants to know this issue what the half moon cut-out was used for on the P-66 corkscrew knife. (Art I would guess it was used as a cigar cutter)

Does anyone have or know anything about the "Vaughan Universal" pictured to the right. I got this opener at a local antique mall. It has a gas key and is also stamped "Crown Throat & Opener Co. Pat Apld For Chicago-U.S.A.". I assume it can be dated in the 1910-20s. It is the first time I have seen this opener. Maybe it is pretty common?

I also recently picked a Chicago World's Fair 1933 opener that is the first one I have seen. The reverse is shown below and the front is shown at the bottom right. Has anyone seen this opener before?

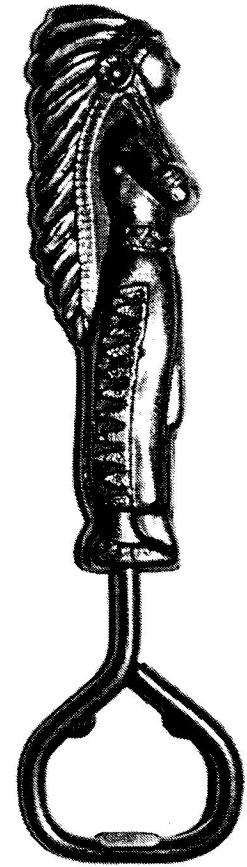


I picked up the B-8 below thinking it was a soda opener. It probably is but after checking American Breweries II I discovered that The Woolner Brewing Co was the Prohibition company for the Pre-pro City Brewery and Post-pro Lubeck Brewing Co. Therefore I have a B-8-UL for the Handbook. A couple of JFO members had sent in an A-5 and a F-6 for the Soda Handbook and they also became listings for the Beer Handbook.

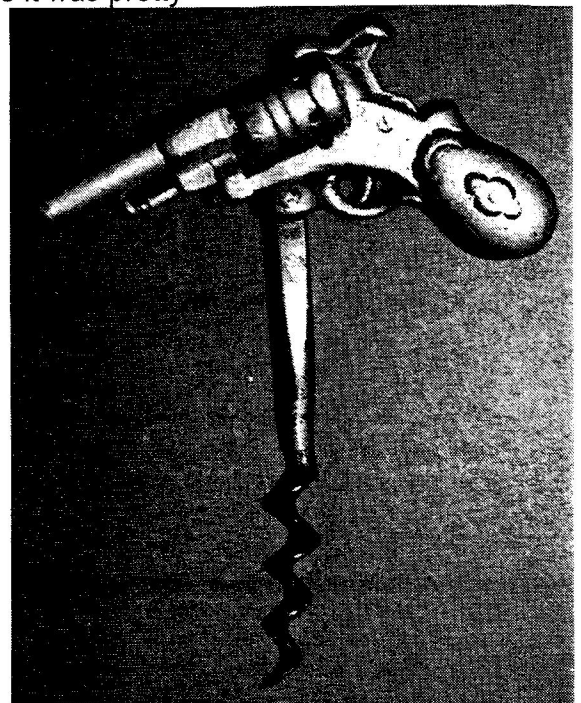
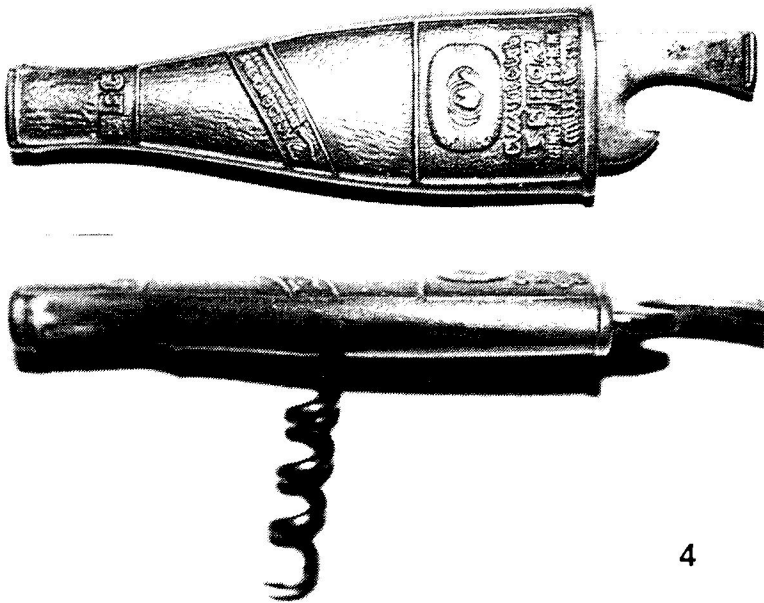


"Opener Trivia" (continued)

Below are shown the front and back of three of my favorite openers. The style is a "B-32" and the opener is only 2 inches long. The top opener is the only known beer advertising B-32 for "Arrow" Beer. The bottom two advertise Coca-Cola with one being in block letters and one being script plus the bottom one falls into one of my main collecting categories "Southern Openers". The top opener came from Don Bull. The middle one was the first opener I bought at a convention (Ed Kaye's 1986 Convention in Ft, Myers, FL) and was bought from Bill McKenzie. The bottom opener was just traded for from Ben Hoffman and he turned it up at a local auction.



Finally some fairly tough corkscrews and a non-advertising Indian opener. The combination bottle opener and foldout corkscrew advertises "Clicquot Club Ginger Ale" and was probably made in the 20s or 30s. The pistol corkscrew is French and late 19th century. I ended up trading both items to Don Bull for some more openers off his trade list. Does anyone know anything about the Indian opener? I picked it up because it was pretty cheap and pretty cute. (Just like his wife Pat).



Our Australian Member Les Cole is in the Newspaper

The Coastal Times of Mandurah, West Australia ran the following article on JFO member Les Cole in its August 30th, 1996 edition. Special thanks to Herb White for sending in the article. Les told Herb that "Full Bottle" means you are on the ball, clued up, or smart cookie. Like our term "Playing with a full deck".

Full bottle on openers

by MAIRI BARTON

MANDURAH's Les Cole has almost 1100 bottle openers, but not a single bottle of alcohol in his house.

Mr Cole may not be a drinker, but it is fairly safe to say he is addicted to collecting.

A self-confessed collecting fanatic, Mr Cole once collected royalty commemorative and crested china, but the collection became too big and it was too expensive to get new pieces.

Those collections took up two rooms of his house when he gave them up about 10 years ago.

Mr Cole says he "suffered a period of withdrawal symptoms", before he discovered collecting bottle openers to fill the void.

"Someone gave me one and as happens with collecting, it just snowballed," he said.

"Once a collector always a collector."

Now the house is being overrun with bottle openers; no two in his collection the same.

The vast variety of shapes and sizes, from the unusual to the totally bizarre includes ladies legs, dolphins, golf balls, the three wise monkeys, temple dancers, hands and feet, the Opera House and the bust of Napoleon to name a few.

"Although it is a comparatively cheap hobby compared to my earlier 'serious' collections, one early American wall-mounted bottle opener is valued at \$800-\$1000, but it is not in my collection unfortunately!"

Mr Cole is constantly looking for unusual pieces, but says he seems to have exhausted all the local opportunity shops and garage sales.

Anyone with bottle openers they are interested in selling or trading can contact Mr Cole on 581 1970.



Bottle opener collector Les Cole with some of his fascinating collection. Picture: ROB DUNCAN.

Opener Container Box for an O-3-1 Valley Forge (from the collection of Ben Hoffman)

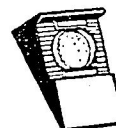
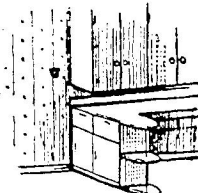
Top

Bottom

*Compliments
of*

ADAM SCHEIDT BREWING CO.
NORRISTOWN, PA.

The Clipper Bottle Opener is made to do its job neatly and efficiently. It not only removes bottle caps in a jiffy, it hangs on to them until you want to slide them out through the opening on the side. Featuring nickel-plated, case-hardened steel grips, the unit is easily attached to a wall with one screw.



Members Update

I talked with Bill McKenzie just before Christmas. He was home from the hospital for the Christmas holidays. His bone marrow transplant has been put on hold. Bill is doing pretty good, but the chemo treatments really took a lot of him. He has a lot of JFO friends and I am sure he would like to hear from them.

14th Annual Midwestern Breweriana Convention-Council Bluffs, Iowa-Oct 9-12, 1996
--

Ollie Hibbeler wrote the following narrative about the Cornhusker Fall convention. JFO member John Mlady is president of the Cornhusker Can Chapter.

Shirley and I left home Thurs. morning and "junqued" our way north to Council Bluffs, Iowa. Did not find anything interesting along the way. We arrived too late for the Omaha "Old Market" district Pub crawl. I will not miss this next year as I found out later that everyone I spoke to had a great time. They had shuttle bus service all evening.

Shirley headed for the Casino to make her fortune and I renewed friendships at the Hospitality Room. No Luck!

Don and Cora Whelan arrived early Friday morning and we four had a great breakfast at the 24 hour Casino as Don and I went room to room trading and socializing. Friday evening found everyone at the "Brat & Beer" feed in the hospitality room. The "Cornhuskers" had 2 to 4 different beers on tap for the entire convention. Afterwards we attended the consignment auction. Shirley bought a 4 foot by 3 foot English beer mirror for \$22.00. I could barely get it in our Explorer!

Saturday morning at 7:00 A.M. Don and I set up in the 18,000 square foot Ballroom. There were 110 registered people from 17 states. The show had 170 tables with 425 walk-ins. 4:00 came too soon but by then we needed a beer. Shirley and Cora visited 2 other Casinos. Both were winners for awhile but gave it back.

Sat. evening we had a delicious banquet and raffle. Afterwards we returned to the hospitality room for the BUTT-DART tournament. Folks-you have to see this event to believe it! We went to bed hoarse from laughing so much. I was a contestant but was the first one to be eliminated. I definitely need to practice for next year. Don refused to participate. Chicken! After good-byes Sunday morning we "junqued" our way home. Tired but happy.

Don's acquisitions were: A-1-62 Manhattan, A-29-51 Kiewel, A-29-62 Rainier, F-20-1 Storz, B-15-2 Zang, C-41-UL Kiewel, P-8-UL F. Miller Brg. Co. and about 12 miscellaneous openers.

My finds included were: M-30-32 Falstaff, M-62-1 Schlitz, N-26-1 Richbrau, M-32-2 Pabst, C-13-236 Kiewel, B-21-334 Sunset, E-1-13 Tivoli, N-40-4 Coors, Q-35-UL Budweiser, Q-35-UL Bud Light, M-7-1 Duquesne, B-24-56 Salem and about 14 miscellaneous openers. Also 3 Beer/Fish wall advertising pieces.

All this fun had for \$40 00 a person. Only at one of our "Just For Openers" shows could an opener collector have more fun. See you in Buffalo, N.Y. in April

Ollie Hibbeler #149
ABA/JFO/Cornhusker?Columbine

Dale Deckert Remaking "Riverside Brass of Canada" Openers

Riverside Brass of Canada started making bottle openers, novelty items and paper weights in the 1960's. They didn't sell so good then so they stopped making them. Then they started making them again in 1977 and did o.k. with them then. They stopped making them for good in 1984. About 6 years ago they wrote me and asked me if I wanted to buy their surplus openers. It was not an enormous amount so I bought them. About 3 months ago they asked me if I wanted to buy all of the plates for bottle openers that they had since the 1960's as they were not ever going to make them again. I asked them what the price was. They said they had them made up at a cost of \$9,000.00 to \$10,000.00 per plate and they had 23 plates. But they would give me a good price on them if I wanted them. I said no way, I wasn't interested, I knew of no foundry to make them. They said I should find one and they would give me a good deal. So I started looking for a foundry to make them. Seems like each foundry has their own way of charging. None of them had the same way of pricing. Anyway I decided to take them if they would take my counter offer. They did, so now I have 23 plates for bottle openers.

I want to let everyone know what I am about to do. There will be 46 or 47 different bottle openers if I have them made. They will be in aluminum only as the cast iron or brass would be expensive. With aluminum you can paint them, chrome or copper coat them, it's up to whoever buys them to do that. Here is a list of what they are: Spaniel dog, pointer dog, lobster, pretzel, palm tree, monkey, sea gull, parrot, foundry man, fisherman, sea horse, alligator, fish, donkey, elephant, squirrel, duck, trout fish, Indian, western boot, parrot on stand, pelican goat, billy goat, lamb, cat & fiddle, small boy, rooster, large cat, large elephant, 4 different liquor bottles, dwarf, partridge, owl, bird, another bird, another owl, another cat, another squirrel, raccoon rabbit, donkey with D.E.M. on it and an elephant with G.O.P. on it. The cats, owls, birds, elephants and squirrels are all different. I'm hoping all the members will be interested in my new project. At least new members will have a chance to get them if they want them. You will be able to choose what ones you want or you can get the set. The price will be less if you get the set. However I won't know the price for another 3 weeks but I wanted to get this in the next newsletter. Anyone can call me or write in about a month from now and I'll be able to tell you the price.

Dale Deckert, 4087 Lake Conway Woods Blvd, Orlando, FL, 32812, (407) 859-1543

Editor's Note: This letter was originally written for FBOC members. JFO's position is that opener collecting is for the enjoyment of finding and owning openers and corkscrews. This offering will give new collectors a chance to own these styles. If you don't mind them being reproductions then contact Dale.

If Newsletter Is Not Received By The Following Dates Please Contact Your Editor

January Issue	April Issue	July Issue	October Issue
January 31st	April 30th	July 31st	October 31st

Article Deadlines (Also Auction Material) For Each Newsletter

January ("New Additions") Issue, Deadline is December 1st
 April ("Membership Roster"), Deadline Issue is March 1st
 July ("Convention") Issue, Deadline is June 1st
 October ("New Discoveries") Issue, Deadline is September 1st

January New Members, Renewals, Address Changes & Corrections
--

Just For Openers now has 315 members (New Members: Numbers 809-815)

Member Name, (Spouse)	Street	City, State	Zip	Phone
Membership Number	Areas of Interest	(Sponsor of New Member)		
Armstrong, Steve	PO Box 1938	Orofino, ID	83544-1938	(208) 476-0128
810	All Montana (Esp Kessler of Helena) & All Idaho (Esp Sunset of Wallace)			
Cardone, Joe, (Mary)	917 Gainsborough Rd	Dayton, OH	45420-3709	(937) 254-3018
4	Pabst Blue Ribbon Openers	(Address Change)		
Graul, Mark	519 Washington Ave	Cape Canaveral, FL	32920-2109	
775	Bottle Openers, Old & New from Breweries	(Address Change)		
Ferguson, John, (Denise)	3305 5 Points Rd	Indianapolis, IN	46239-9574	(317) 356-3130
814	All Indianapolis Breweriana	(NABA)		
Hoffman, David, (Jami)	929 W Broad St	Williamstown, PA	17098-9501	(717) 647-7106
760	Beer Advertising Openers	(New Phone Number)		
King, Dennis, (Laura)	PO Box 1141	Lake Placid, NY	12946-1141	(518) 523-2762
627	(Address Change)			
Kroll, Victor, (Jackie)	3451 Nighthawk Ct # 433	Punta Gorda, FL	33950-6675	(941) 575-0303
433	Beer, Whiskey, Soda & Tobacco Advertising	(New Phone Number)		
Little, Jack, (Helena)	9531 W Sandstone Dr	Sun City, AZ	85351-2054	(602) 974-5353
809	Foreign, Hotels, Motels, Inns	(Anita Gold)		
McLellan, Gerry	641 Waverly St	Framingham, MA	01702-6946	(508) 872-3078
812	All Openers			
Miller, Elliott	1820 Broadway St	Dennison, IA	51442-2120	(712) 263-5741
815	General	(Today's Collector)		
Osborn, Jim, (Mary Joe)	1006 E Kerr Ave Apt 105	Urbana, IL	61802-2076	(217) 367-9614
126	Corkscrews, A-Types & Unusual, Also Illinois Breweries	(Rejoin-Norm Jay)		
Owen, Steve, (Candy)	1175 Elkins Lake	Huntsville, TX	77340-7330	
477	"O-5" Wall Mount Openers	(Address Change)		
Pedersen, Jim	4176 Cawthra Rd	Mississauga, Ontario	CANADA	L4Z-1A1
813				
Pinney, Dave, (Edith Richman)	1207 Ahlrich Ave	Encinitas, CA	92024-4025	(619) 753-8151
811	Beer & Soda Metal Openers	(Ed Kaye)		
Raposo, Michael, (Leigh)	23 Bonny Eagle Pond Rd	Standish, ME	04084-6254	(207) 727-4052
506	(Address Change)			
Summers, Stan, (Pat)	5880 N Livernois Rd	Rochester, MI	48306-2538	(810) 651-6886
375	Michigan Stuff	(New Area Code)		
Vifquain, Brad, (Lori)	PO Box 30244	Mesa, AZ	85275-0244	(602) 807-3609
500	Has 4 Breweriana Auctions Per Year	(Rejoin)		

Spouse's Corner

by Pat Stanley, the Editor's Spouse

I have been paging through this enormous newsletter, near the end, where I usually find the space for my corner. Lo and behold, I am on page 9, at least for now. The Editor may cut and paste me near the end before it goes to print. It's a few days before Christmas, so he better not. His gifts can be returned!

Lyla Pattie, married to club member, Bill Pattie for over 30 years tells us her story. If you've met Lyla, you probably know, that she seems quite capable of taking care of herself. She impresses you as being smart and able to survive in this world, even if you live with a collector. So, it is no surprise that Lyla doesn't try to explain that Bill collects openers. She's very daring and just tells them outright that he does. First people can't believe it, then their disbelief turns into raucous laughter.

Bill didn't collect before he married Lyla. He took it up when he realized he could become "chained" to home maintenance. (It's best that John is collecting too...as the red head personality makes "fixing" things quite an ordeal. I just "sell his openers" to pay the people we have to hire in place of Mr. Handyman.)

Lyla collects dolls and old kitchenware, but got a late start, like after the kids moved away and money and time were less scarce. (Corkie, our Yorkie, is glad to hear that children come before collectibles.)

Lyla, like a majority of us, doesn't know much about Bill's collection, other than each piece probably has something to do with "Montana". Bill knows that Lyla likes compo dolls the best and that she buys too many "hospital cases". They do go on collecting trips together about twice a year.

Lyla describes the addiction for collecting as a strange compulsion to find one of every type, finish, make, name brand, etc. She is amazed that Bill can remember every one he has in his collection and never buys a dup.

All the spouses know that Lyla is a special wife and that Bill can't find a duplicate of her.

New Opener Products

Harold Queen sent me an order form from Spanish Peaks Brewing Co., PO Box 3644, Bozeman, MT, 59772. They have color sets of Q-18 "Black Dog Ale" openers for \$7.50 (set of 12) \$3.00 (set of 4). Shipping is \$3.70 up to \$10.00, \$4.50 up to \$25.00 and \$5.00 up to \$50.00. You can also contact Spanish Peaks at 1-800-810-CHUG or <http://spanishpeaks.com> on the Internet.

Mead Bates' Cymba Co. has been busy making openers for August Schell (New Ulm, MN), Dogfish Brewery, Pabst, a Watertown, CT micro and Pete's Brewing Co. You will have to contact the brewery themselves to get these openers.

"Common Corkscrews V: Wall Mount Corkscrews" by Ron MacLean (copyright 1994)

Former JFO member Ron MacLean wrote the following article a couple of years back on wall mount corkscrews. Since we have quiet a few members who collect wall mounts I thought it would be a good time to provide the following information to these specialty collectors. Please note that Ron included photographs with his original write-up but I have only included patent drawings and a some of the photos as the picture quality is not good.

Acknowledgment: As with previous Common Corkscrew articles, I wish to thank Bob Nugent for support and guidance as well as providing several corkscrews illustrated in this article and to Nick D'Errico for his publication "American Corkscrew Patents 1921-1992".

Many of the more common wall mount combination crown cap lifter corkscrews found at antique shows and flea markets in North America are variations manufactured by the Starr Brown Mfg. Co. of Newport News, Virginia.

All appear somewhat similar in construction but with closer inspection differences in materials, methods of fabrication or manufacturers markings may be found. They were often used as promotional advertising items as the flat body front was a convenient place to advertise. Examples advertising a wide variety of businesses, including hotels and beverage manufacturers, were produced and may be found by North American opener collectors.

I have restricted my documentation to types manufactured after the Thomas Hamilton cap lifter patent of 1925 (Patent #1). Many other examples were manufactured in North America and perhaps can be found in your collections. I am sure that examples were manufactured in Europe but I am not aware of any being found.

The following descriptions and illustrations cover a variety of models which were produced in North America over the past 65 years. Undoubtedly it contains more information and facts than you ever want to know about this type of combination corkscrew!

It may appear strange to start an article on corkscrews with an illustration of two bottle openers. Reason - the first four combination cap lifter/corkscrews illustrated in Patent #2 are all marked with the Thomas C. Hamilton, Boston, Massachusetts cap lifter patent date April 21, 1925 of U.S. Patent No. 1,534,211 (Patent #1).

Patent 1-Figure 2 & Patent 2-Figure1: Nickel plated cast steel cap lifter marked "STARR N'P'T NEWS, VA. PAT'D APR.21,1925". Back marked "BROWN MFG. CO. MADE IN U.S.A.". This "Bottle Cap Puller" U.S. Patent No. 1,534,211 was granted to Thomas C. Hamilton, Boston, Massachusetts on April 21, 1925. No mention of a corkscrew was included in the patent description.

Patent 2-Figure 5: Nickel plated cast steel advertising cap lifter (type O-5) marked "Patent 2,333,088 BROWN CO. N.NEWS, VA". A "Bottle Opener" U.S. Patent No. 2,333,088 was granted to Raymond Brown, Newport News, Virginia on November 2, 1943 for improvements to the 1925 cap lifter patent of Thomas Hamilton. The main improvement was the inclusion of two small spaced back stops suitably positioned back of the prying lip to prevent engaging the glass neck and breaking the bottle. Box marked "Guaranteed against chipping or breaking bottle necks and lips".

"Common Corkscrews V: Wall Mount Corkscrews" by Ron MacLean (Continued)

Patent 3: Nickel plated cast steel combination corkscrew and cap lifter fitted with a lug to retain the wire helix tip fitted with a razor stop hook on the lower body section. Marked "BROWN MFG. CO. NEWPORT NEWS, VA. PATD APR25". Back frame marked "MADE IN U.S.A. 4". Raymond M. Brown was granted U.S. Patent No. 1,702,149 on February 12, 1929 for a similar combination opener of identical configuration. I am aware of one example found that is also marked "BOTTLE OPENER" but not one marked with the 1929 patent date. (The different alpha numeric markings on the back of cast openers are mold reference numbers)

Patent 3 (Variation): Nickel plated cast brass with a slot to retain the wire helix tip when not in use. Fitted with a hook on the lower body section. Marked "STARR BROWN MFG.CO. NEWPORT NEWS, VA. PAT'D APR.1925 W.W. WILCOX MFG. CO. CHICAGO". Back frame marked "MADE IN U.S.A. 1". Brass variation also marked "MADE IN U.S.A. 6" on back and upper frame marked "LORD NELSON HOTEL HALIFAX, N.S." Another brass variation not fitted with a hook, the back is marked "MADE IN U.S.A." and upper frame marked "UNITED HOTELS".

Patent 4: Chrome plated brass with an upper frame aperture to hold the worm when not in use. A push of a short wire tab allows the wire helix to be easily placed into position. Marked "STARR BROWN MFG.CO. NEWPORT NEWS, VA. PATENT 2333088". Frame back marked "H1 MADE IN U.S.A.". Raymond M. Brown was granted U.S. Patent No. 1,996,696, April 2, 1935 of Newport News, Virginia. The frame back is fitted with two back stops which explains the piece being marked with the later 1943 Brown patent number which is based on back stops to prevent bottle breakage. Variation also marked "BROWN M.CO. N.NEWS, VA.", lower frame marked "DRINK COCA-COLA" and frame back is marked "H1 MADE IN U.S.A.".

Patent 5: Chrome plated brass frame fitted with a wire helix worm and an open brass bell which rests in a notch in the narrow frame. There is a small cast spur or tab on the shaft which when pressed move the worm and bell into position for use. A large nickel plated cast brass disc shaped cap lifter body is fitted with a brass set screw to a stud riveted into the upper body channel. A set screw holds in place a steel lip insert on the lower part of the cap lifter to contact the crown cap edge. Marked "HOEGGER INC. JERSEY CITY, N J PAT. APL'D FOR". Two patents were granted on this design, U.S. Patent No. 1,763,849 on June 17, 1930 and Patent No. 1,775,164 on September 9, 1930 to Joseph A. Hoegger of Jersey City, New Jersey. Variations exist with the cap lifter mounting stud without the cap lifter in place. Others have been found without a cap lifter

Patent 6: Another U.S. Patent No. 1,715,033 was granted to Joseph Hoegger on May 28, 1929 for a similar combination cap lifter corkscrew with a pivoting open sided sheath for the worm attached to a circular cap lifter section. U.S. Patent No. 1,763,848 was also granted on June 17, 1930 for the wall mounted cap lifter portion alone.

Patent 7: Chrome plated brass channel formed as above but with a cap lifter section angled out 45 degrees from the channel top. A small spur or tab on the shaft when pressed moves the worm out in position for use. A small steel section is riveted into the opening top to reinforce the brass against wear from the cap wear. Marked "HOEGGER INC. WEEHAWKEN N.J. MFG. IN U.S.A. PAT. 1,763,849". This is perhaps a pre patent example of U.S. Patent No. 1,975,606, October 2, 1935 of Joseph Hoegger.

"Common Corkscrews V: Wall Mount Corkscrews" by Ron MacLean (Continued)

Patent 8: It is interesting to note that Raymond M. Brown patented a similar opener - U.S. Patent No. 1,827,868, October 20, 1931, Canadian Patent No. 317,134 on November 17, 1931. The patent illustration shows what appears to be a two piece cast and stamped cap lifter and lower body channel formed to shield the worm. I am not aware of an example being found.

Patent 9: Nickel plated stamped steel body with a cap lifter section formed in the lower body. A wire helix corkscrew and moveable bell is riveted to the upper frame. An indentation is formed in the body to allow the bell to recess out of the way when not in use. Marked "UNIS MFG. GRAND RAPIDS, MICH. PAT. PEND.". This is Design Patent No. 79,687 granted to Frank A. Topping, Michigan on October 22, 1929.

Patent 10: Small cadmium plated stamped steel body with wire helix pivoting on a slot in the upper body. Marked "WHAT CHEER" and "C.S. RIPLEY & CO. CLEVELAND O. U.S.A.PAT. PEND. No1". This covered by U.S. Patent No. 1,930,492 of October 17, 1933 for a Combination Bottle Opener, Jar Top Remover and Corkscrew and No. 1,988,057 of January 15, 1935 for a corkscrew both filed on May 2, 1931 by Henry G. Thompson of Ohio.

Picture 1: Small chrome plated stamped steel body with a cap lifter opening in the top and a small wire helix fitted to the lower portion held in place by a locking cotter pin through a loop formed in the wire shaft end. Screw mounting holes are located at the top and just above the worm mounting. Marked "PAT APPD FOR BOSTON MASS. ROBERTS SPEC.MFG. CO.".

Picture 2: Nickel plated cast steel body with cap lifter and rivet mount in upper body section. Body not marked. Original box marked "CORBIN BOTTLE OPENER A necessity in the kitchen Handy in a dozen places". Corbin was a hardware manufacturer of metal fittings and locks. Examples have been found marked "CORBIN" on the back. Variation exists as a chrome plated cast steel Corbin with a razor strop or towel hook in the lower body section. Not marked.

Picture 3: Cast aluminum body with hook formed in the lower section. Fitted with a wire helix pivoting on an aluminum rivet **below** the upper holding screw hole. Helix folds down and rests in a cavity formed in the body when not in use. **Body** marked "ZIP" with the back marked "R.S. PRODUCTS CORP. PHILIA. PA. PAT. PEND.".

Picture 4: Cast aluminum body with hook formed in the lower section. Fitted with a wire helix pivoting on an aluminum rivet **above** the upper holding screw hole. As above, helix folds down and rests in a cavity formed in the body when not in use. **Hook** marked "ZIP" with the back marked "R.S. PRODUCTS CORP. PHILIA. PA. PAT. PEND.".

If you have wall mount corkscrews not shown in this article, please contact Ron and let him know about them. He can be reached at:

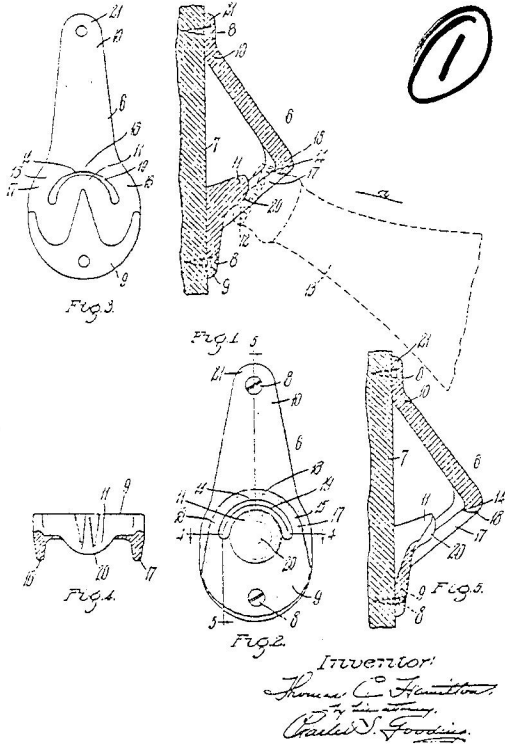
Ron MacLean
4201 Sunflower Drive
Mississauga, Ontario
Canada L5L-2L4

"Common Corkscrews V: Wall Mount Corkscrews" by Ron MacLean (Continued)

April 21, 1925.

T. C. HAMILTON
BOTTLE CAP FULLER
Filed Sept. 18, 1924

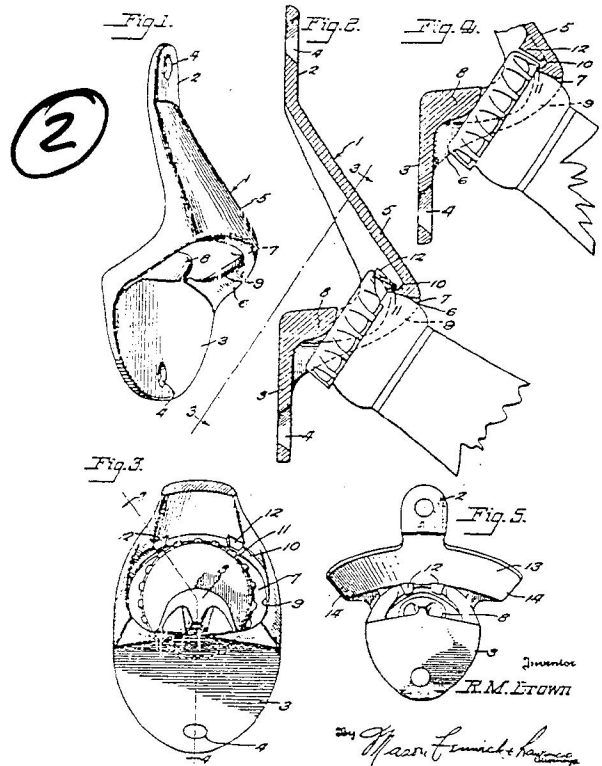
1,534,211



Nov. 2, 1943.

R. M. BROWN
BOTTLE OPENER
Filed Feb. 9, 1942

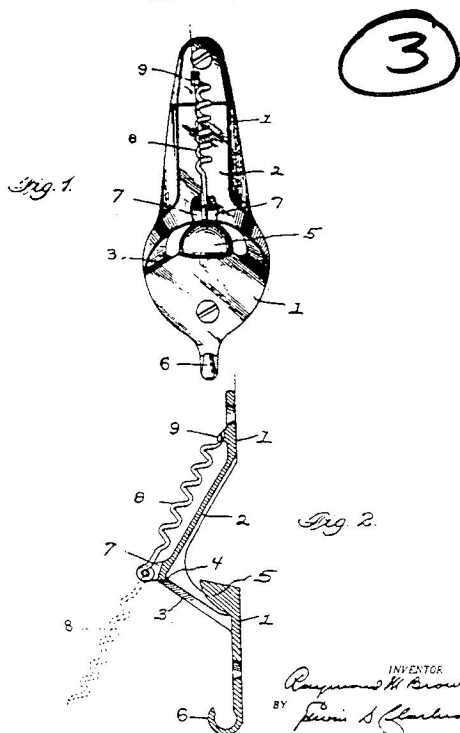
2,333,088



Feb. 12, 1929.

R. M. BROWN
BOTTLE OPENER
Filed Oct. 22, 1926

1,702,149

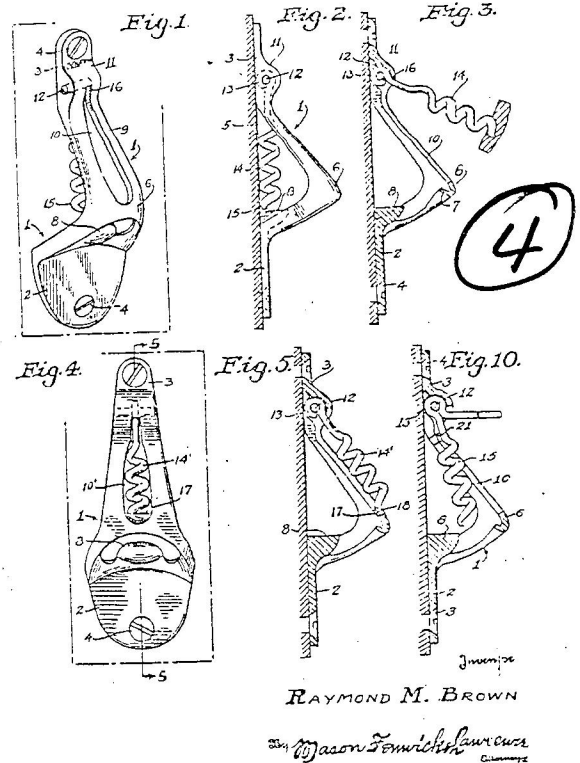


April 2, 1935.

R. M. BROWN
BOTTLE OPENER
Filed Dec. 28, 1932

1,996,696

2 Sheets-Sheet 1

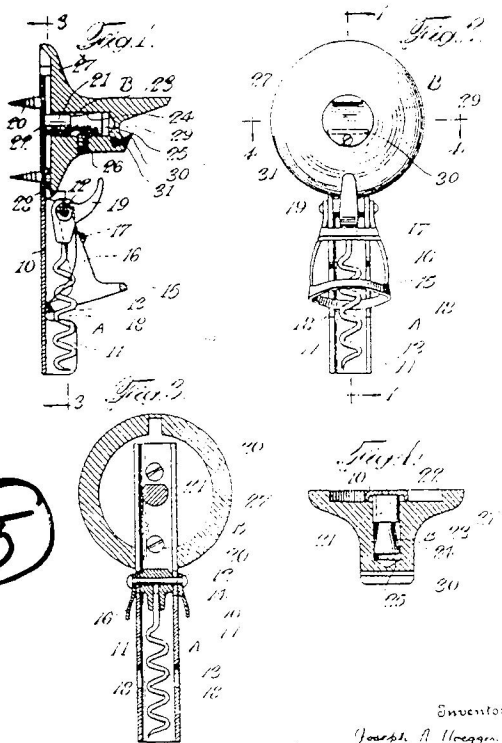


"Common Corkscrews V: Wall Mount Corkscrews" by Ron MacLean (Continued)

June 17, 1930.

J. A. HOEGGER
BOTTLE OPENER
Filed Aug. 27, 1928

1,763,849

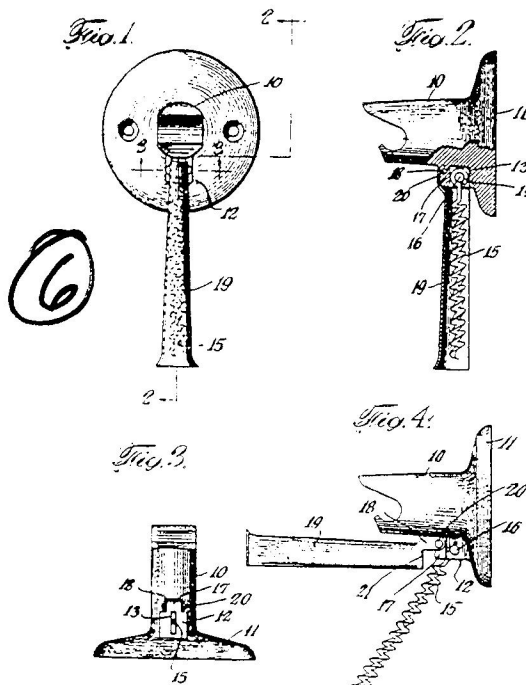


Inventor
Joseph A. Hoegger
By His Attorneys
Hoegger and Meany

May 28, 1929.

J. A. HOEGGER
BOTTLE OPENER
Filed Jan. 14, 1928

1,715,033

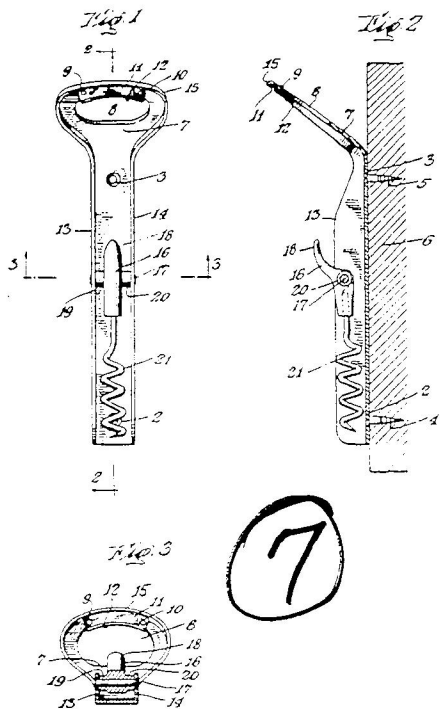


Inventor
Joseph A. Hoegger
By His Attorneys
Hoegger and Meany

Oct. 2, 1934.

J. A. HOEGGER
BOTTLE OPENER
Filed Nov. 8, 1932

1,975,606

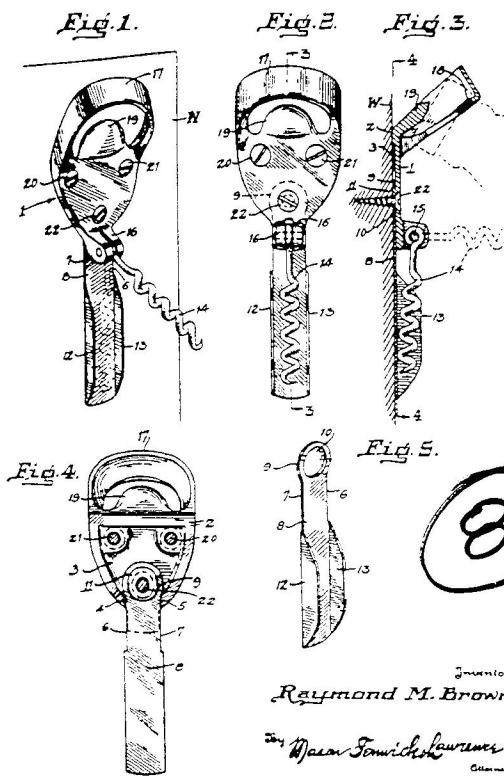


INVENTOR
Joseph A. Hoegger
BY
Hoegger and Meany
ATTORNEYS

Oct. 20, 1931.

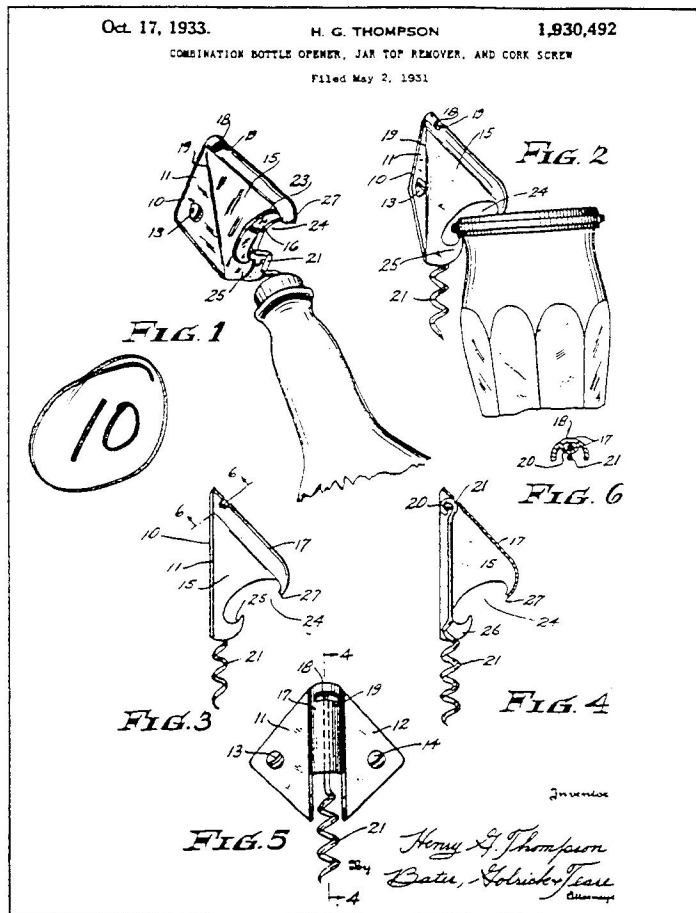
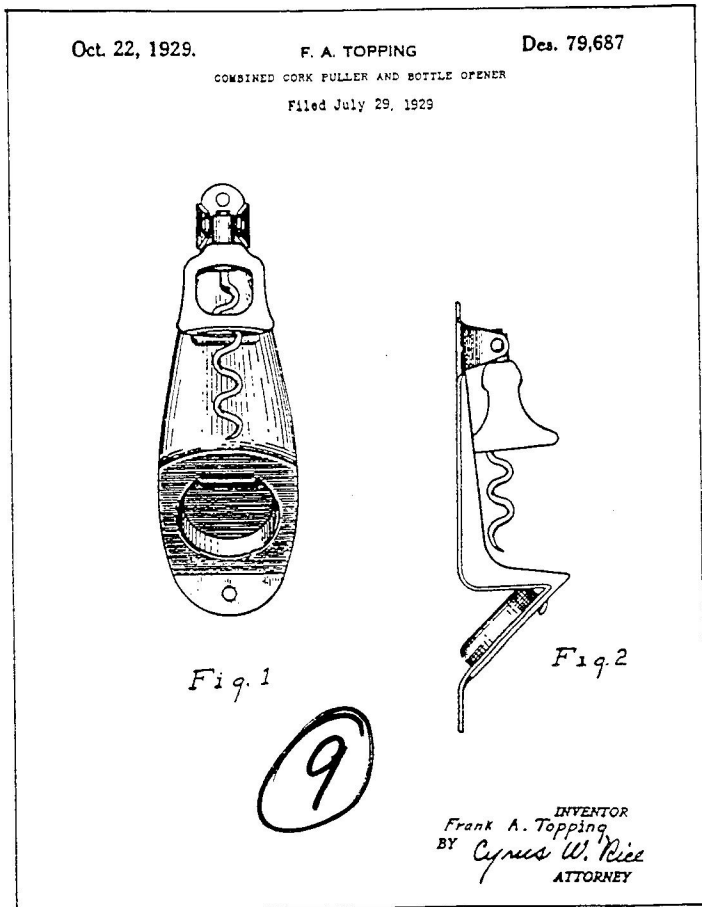
R. M. BROWN
BOTTLE OPENER
Filed Sept. 13, 1928

1,827,868



Inventor
Raymond M. Brown
By Nelson Smith & Lawrence
Attorneys

"Common Corkscrews V: Wall Mount Corkscrews" by Ron MacLean (Continued)



Picture #1



Picture #2



Picture #3



Picture #4

Don & Cora Whelan Visit

Don and Cora Whelan visited the Stanleys the last Friday in September. They just spent one night but Don and I spent the whole time talking openers. I ended up selling Don a C-31-Gold Bond, a M-7-1 Duquesne and an A-3-Stacy Merrill. We had a really nice visit even though Corkie was a little too excited about having company around. Don and Cora were passing through to spend time in Williamsburg, VA. Of course Don did not find much on the way from Missouri to North Carolina, but on the way home he found a nice M-6-11 Signal Beer bell, a N-38-UL Schlitz and several "C"s and "E"s. Later in the fall Don and Cora went to a breweriana show in Minnesota. Not much turned up but he did get an A-25-9 Edelweiss, N-5-4 West End and a N-44-1 Inland Brewing & Malting. This all in addition to his haul from the Midwest Breweriana Show in October.

Free Issue of The Antique Trader

JFO members can get a free issue of the Antique Trader by writing or calling the 800 number listed. Please mention ATCLUB and that you are a member of JFO.

Antique Trader
PO Box 1050, Source Code ATCLUB
Dubuque, IA 52004-1050
or Phone 1-800-334-7165

Ed Kaye's Collection of Beer Baseball Players ("A-9"s)

It was about 10 years ago when Ed Kaye, a former editor of JFO, decided to concentrate on "A-9" baseball players. The next page show 30 of the 38 known beer advertising baseball players. A great collection and the corresponding listings are below.

#24 Richter Bottling Works	#20 Galion Old German Beer	#27 Bavarian Special Brau
#12 George Ringler	#7 H K Bohemian Malt	#1 Buffalo Brewing
#17 Schell's Deer Brand	#28 Haffenreffer & Co	#35 Centlivre Brew Co
#18 Springfield Breweries	#3 Hoster-Columbus A B	#31 Detroit Malt Extract
#39 Top Notch Products	#23 I Leisy Brewing Co	#19 East Side
#25 Top Notch Products	#4 Isaac Leisy Brewing Co	#15 Excelsior Success
#36 Union Beverage Bingo	#10 Kamm & Schellinger Brg Co	#2 F & S Beer
#13 Washington Brewing Co	#5 Poth & Schemm	#9 Fremont Brewing Co
#14 Wayne Beer Detroit	#33 Rainier Beer	#22 Fresno Brewing Co
#34 White Eagle Brg Co	#16 Renner & Weber Brg Co	#32 Fried Malt & Hop

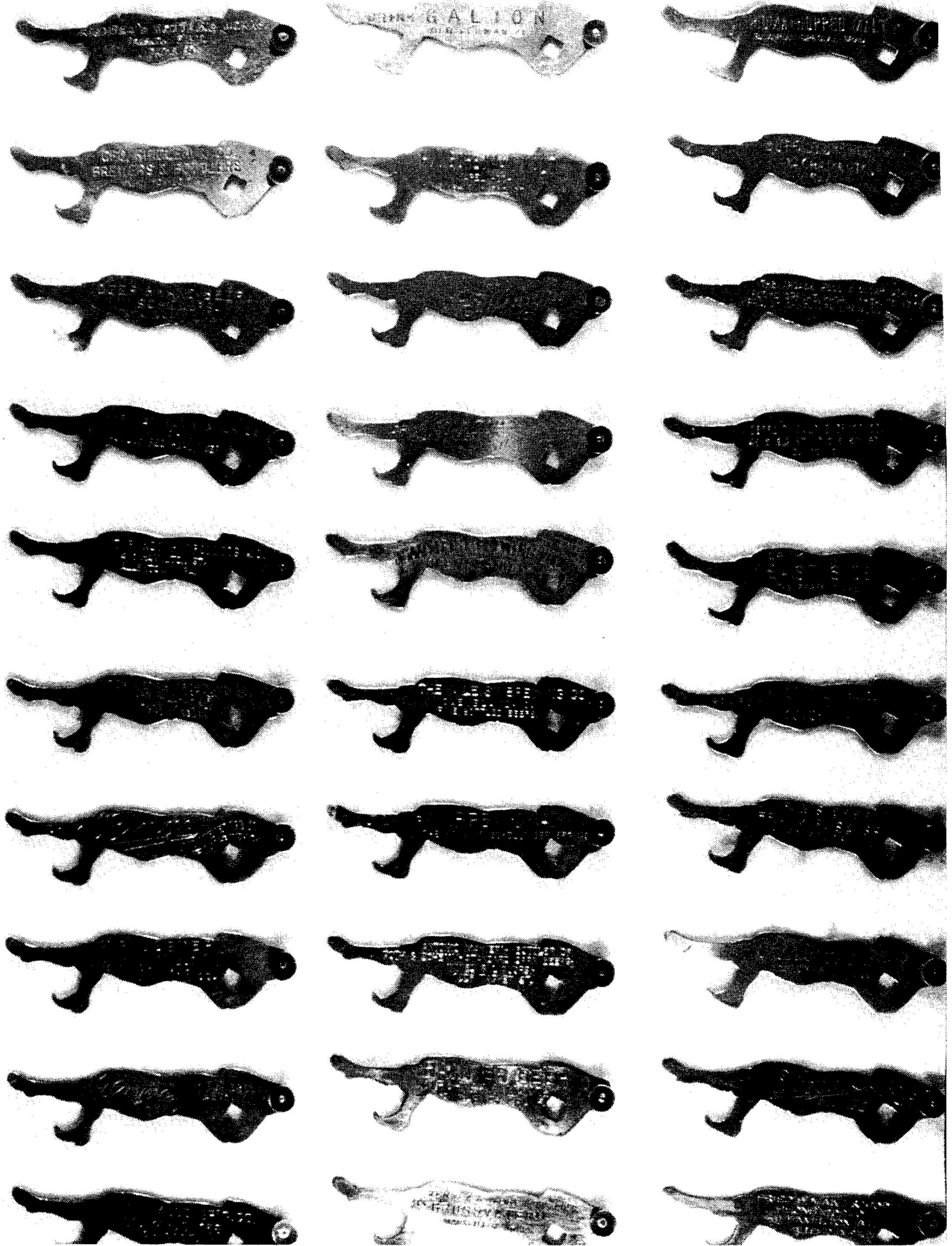
Salesman Brochure for Jacob Ruppert Brewery
--

Ben Hoffman turned up a salesman sample brochure for the Jacob Ruppert Brewery. The three pages after Ed Kaye's A-9 baseball players show the openers that the brewery had available. Page one of the book shows a K-2 bar mount opener, page two shows a K-1 bar mount opener and page three shows a C-13-91 opener and an I-4-25 opener. The brochure is dated March 15th 1948. The pricing is very interesting with the I-4 being very cheap and the C-13 certainly more expensive. The well made bar mounts were certainly not cheap considering the 1948 prices.

19th Year, Issue #73

JUST FOR OPENERS

January 1997



Salesman Brochure for Jacob Ruppert Brewery (from Collection of Ben Hoffman)

One Shot

CAN OPENER

- ★ FAST.
- ★ PUNCHES TWO HOLES WITH ONE STROKE.
- ★ FOR USE IN BARS—TAVERNS — CLUBS — DRIVE-INS — HOMES.
- ★ DURABLE—MADE OF SOLID ALUMINUM AND BLADE OF CARBON STEEL.
- ★ PRICED RIGHT. \$



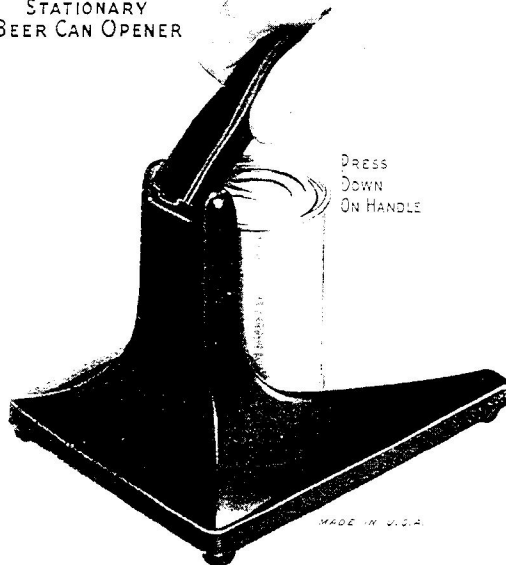
TWO HOLES-
ONE STROKE

Sole Distributors
THE RETZ COMPANY
 BOX 591
 FORT WORTH, TEXAS

Salesman Brochure for Jacob Ruppert Brewery (from Collection of Ben Hoffman)

STATIONARY BEER CAN OPENER

No. 3000
Vaughan's
QUICK AND EASY
STATIONARY
BEER CAN OPENER



For use in all places selling large quantities of canned beer. For heavy duty operation. Base and handle made of cast iron with attractive black porcelain enamel finish; Chromium Plate blade which is easily replaced.

SIZE: 8" x 6" x 5 3/4" high

STOCK NO.: 3000

PACKING: Individual cartons

PRICE: \$4.75 each F.O.B. Chicago, Illinois

The Brewery does NOT stock this item. You must order direct from the manufacturer. Remittance with order.

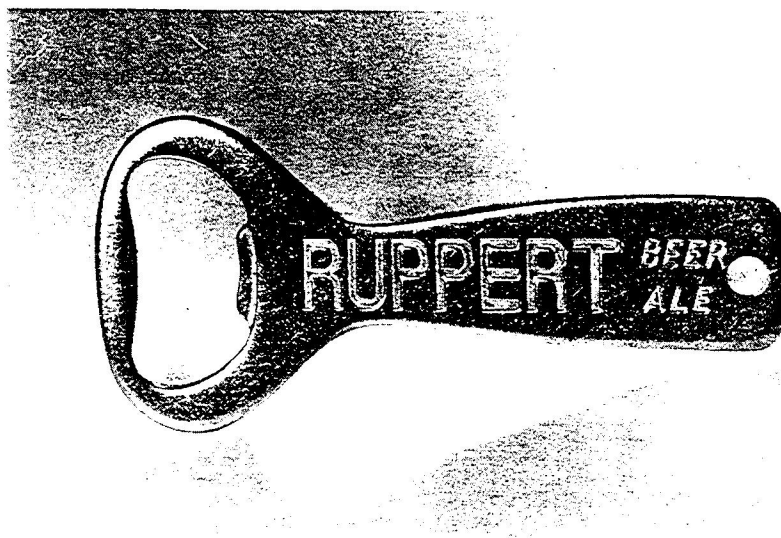
VAUGHAN NOVELTY MFG. CO.
3211-25 CARROLL AVENUE
CHICAGO 21, ILLINOIS

Sheet No. 85--3-13-48

JACOB RUPPERT, NEW YORK, N. Y.

Salesman Brochure for Jacob Ruppert Brewery (from Collection of Ben Hoffman)

BOTTLE OPENER



Sturdy bottle opener of nickel-plated steel.

SIZE: 3" long

STOCK NO.: 739

UNIT PRICE: \$19.50

PACKED: 100 per carton

CAN OPENER



A handy can or bottle opener, nickel-plated with copper base.

SIZE: ¾" x 4¾"

STOCK NO.: 40

UNIT PRICE: \$21.50 M

PACKED: 1200 per carton

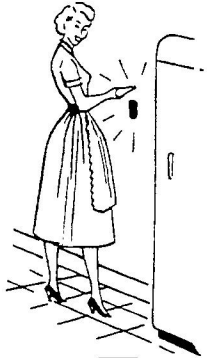
Sheet No. 49-3-15-45

JACOB RUPPERT, NEW YORK, N. Y.

Opener Instruction List for an O-14-1 Storz (from the collection of Verne Vollrath)

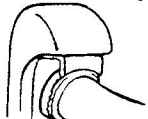
Front and Back of the Special Opener Offer from Jack Daniels (sent in by Don Bull)

How to Use Your
MAGNETIC
BOTTLE OPENER



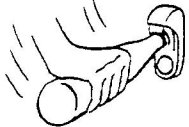
1. MOUNT AT CONVENIENT HEIGHT

on any flat surface in your kitchen, rumpus room, cottage, boat, bar, etc.



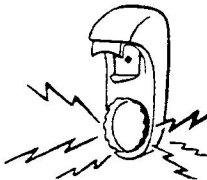
2. TO USE,

insert bottle under hook.



3. PUSH BOTTLE DOWN EASILY

opener does the work.



4. MAGNET

catches and holds cap.

Please note that Jack Daniels limits the offer "to one opener per household" and it takes at least 6-8 weeks



OLD TIME QUALITY
Jack Daniel's
1866
CLASSIC

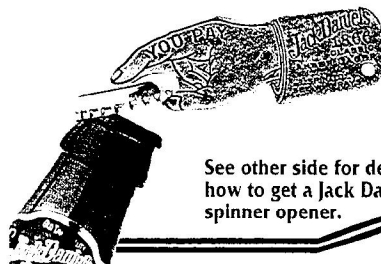
The early 1900s was the heyday of the bottle opener. It was also the Golden Age of American Beer. Thousands of small brewers across the country crafted flavorful, full-bodied beers. They proudly advertised their distinctive brews on cleverly designed bottle openers. The spinner was one classic opener that also served as a popular barroom game. A raised knob on the back let it spin. And when it came to

rest, its "finger" pointed out the lucky patron paying for the next round.

Prohibition put a halt to spinners and pointed to the end of small-batch brewers. The classic American bottle opener went the way of classic American beer. When Prohibition was finally repealed, mass-produced beers took over. The invention of twist caps and pop-top cans seriously dampened the demand for the once popular openers. But not the fascination.

That's why when the Jack Daniel Brewery decided to bring back classic American beer, it also decided to bring back a classic opener. Jack Daniel's 1866 Classic Amber Lager is slow-brewed in old-fashioned small batches. The result is a beer with a robust flavor and smooth finish, made the way American beer used to be made. And like good old-fashioned beer, you can't twist the top off. You have to use an opener.

The Jack Daniel's 1866 Classic Amber Lager is proud to lift its cap to the classic American bottle opener. Take one for a spin and see what you think.
Jack Daniel's 1866 Classic Amber Lager
Way behind the times.



See other side for details on how to get a Jack Daniel's spinner opener.



Visitors to Lynchburg often write postcards to their friends mentioning Jack Daniel, the distillery, and the town square among other things.

If you would like some "postcards from Lynchburg," just let us know on the order form below. We'll send you four of them for your collection or for dropping a line.



Please fill out the information below. Put this form in an envelope and send it and your personal check or money order to:

Mr. John Barrett
Brewmaster
Jack Daniel Brewery
Lynchburg, TN 37352

Send me four postcards FREE. I have enclosed \$1.00 for postage and handling.

Send me one bottle opener. I have enclosed \$2.00 (Includes Postage & Handling).

Limit 1 per household. Allow 6-8 weeks for delivery.

Name: _____

Address: _____

City: _____ State: _____

Zip: _____ Phone: _____

Birthdate: _____

Favorite Beer (Before Buying

J.D.): _____

© 1995 JACK DANIEL BREWERY, LYNCHBURG, TN 37352

AUCTION NEWS

Joe Cardone's Auction. Joe Cardone has been running monthly auctions since JFO started in 1979. He usually offers between 200 openers/corkscrews each auction. The main emphasis is on beer advertising openers. There is no charge for the auction. Anyone interested or anyone wanting Joe to sell (20% commission) their collection should contact:

Joe Cardone, 917 Gainsborough Rd, Dayton, OH, 45420-3709

(Joe Always Needs Openers To Sell)

If you do receive Joe's auction, please try to bid on something. Joe will send you the next auction as long as you are an active bidder. If you do not bid, he will not send you the next auction.

Lynn Geyer's Advertising Auctions are offered twice a year. The main emphasis is on Breweriana (some openers). The cost is \$25.00. Contact Lynn Geyer at Advertising Auctions, 300 Trail Ridge, Silver City, New Mexico, 88061 (505) 538-2341

Fink's Off The Wall Auctions. The main emphasis is on Breweriana (some openers). The cost is \$18.00. Contact Don Fink at Finks Off The Wall Auctions, 108 E. 7th St., Lansdale, PA, 19446 (215) 855-9732

OTHER CLUBS

American Breweriana Association (ABA) offers a magazine (American Breweriana Journal) 6 times a year on breweriana collecting and an annual convention. Dues are \$25.00 per year. Contact Chris Galloway, Executive Director, P.O. Box 11157, Pueblo, CO, 81001

Canadian Brewerianist offers 10 issues per year (The Canadian Brewerianist) on Canadian Breweriana collecting and an annual convention. Dues are \$22.00 per year (US Funds). Contact Loren Newman, 2978 Lakeview Trail, Bright's Grove, Ontario, CANADA, N0N 1C0

Canadian Corkscrew Collectors Club (CCCC) offers a quarterly newsletter (The Quarterly Worme) on corkscrew collecting and an annual convention. Dues are \$30.00 per year. Contact Milt Becker, P.O. Box 9863, Englewood, NJ, 07631

East Coast Breweriana Association (ECBA) offers a quarterly newsletter (The Keg) on breweriana collecting and an annual convention. Dues are \$20.00 per year. Contact John Stanley, PO Box 64, Chapel Hill, NC 27514-0064, (919) 419-1546

MICROBES (Micro Chapter ECBA): offers a quarterly newsletter on Micro Breweriana. Dues are \$7.00 per year. Contact Roger Levesque, PO Box 826, South Windsor, CT 06074

Figural Bottle Opener Club (FBOC) offers a quarterly newsletter on three-dimensional and either free standing or wall-mounted openers and an annual convention. Dues are \$20.00 per year. A full color guide book is offered for \$28.00. Contact Charles Lesser, 1953 Sugar Stick Rd., Harrington, DE, 19952, (302) 284-4792

National Association Breweriana Advertising (NABA) offers a magazine (The Breweriana Collector) 4 times a year on breweriana collecting and an annual convention. Dues are \$20.00 per year. Contact Robert Jaeger, 2343 Met-To-Wee Lane, Wauwatosa, WI, 53226

WANTED (Please remember there is no charge for Ads)

Members to Swap Openers for Openers, Trade List for Trade List. People who are starting out like myself who want to build their collections from other members in different parts of the country. Write or Call Scott Sherman, W5268 Quarry Rd Appleton, WI, 54915, (414) 954-1168

A-1-9 Golden Glow, B-18-439 Port Townsend, B-23-149 Golden Glow, E-9-111 Golden West & O-4-22 Golden Glow. Also any Breweriana (Large or Small) from Golden West Brewing Co. of Oakland, CA & Port Townsend Brewing Co. of Port Townsend, WA. Buy or Trade. John Cartwright, 950 Marlene St Apt B, Ukiah, CA 95482

Beer Types: A-1-1,34,37,11,14,54,81,40,25, A-3-18,30, A-4-13,3,36,16, A-5-59,3,18,11,12, A-7-32, A-8-1, A-12-14, A-16-9,6,5, A-19-3, A-20-28, A-21-82, A-23-2, A-29-27, B-2-2,33,1,9,18, B-5-6, B-9-8, B-18-203,344,376, B-28-1, B-44, B-60-3, B-61-1, B-70-1, B-71-1,2, B-72-1, C-5-2, C-41-1, P-51-45, P-58-1, P-120-1, P-121-3, P-122-1, P-123-1. Send price and condition in first letter. Moody Eldridge, 3890 Cliftondale Pl, College Park, GA, 30349, (404) 964-9619

A-9 Baseball Players (Beer or Non-Beer). Beer ones needed: A-9-8 Eureka, A-9-21 Amber, A-9-26 Penn, A-9-29 Waldorf, A-9-30 Bethlehem, A-9-37 Butte, & A-9-38 Eagle. (Please note that John Stanley will trade out of his collection to help Ed get the openers listed) Ed Kaye, 7077 Cedarhurst Dr, Fort Meyers, FL, 33919, (941) 590-3068

Non-Beer B-46, B-48, N-46, B-type in April-86 JFO, F-26 type in April-83 JFO. Also Kitchen Openers with Spoon and 1 Long Hole, and Spoon with Many Small Holes and Flat. Any Kitchen Openers (such as F-11, F-12, & F-13). Would like one from each State. Bonnie Teggatz, 100 1st Ave NE Apt 704, Cedar Rapids, IA, 52401

Types, A-18, A-34, A-42, B-6, B-7, B-22, B-31, H-1 & Pepsi-Cola Openers. Write for latest trade/want list. John Stanley, PO Box 64, Chapel Hill, NC 27514-0064, (919) 419-1546

Need These Types: A-22-1 Ballantine, B-59-1 Providence, and C-1-7 Budweiser. Great Trades Available. Jack Ford, 5351 Boyd Ave, Oakland, CA, 94618, (510) 655-5393

A-43-Dixie Beer and L-1-5 Pabst. Want to buy straight out. Marc Benjamin, 167 Nixon Beach Rd., Edenton, NC, 27932, (919) 482-2099

Beverwyck-B-18-499, B-21-147, C-10-48, E-9-87, F-6-87, I-2-2, I-14-1, J-5-5a, Dobler-I-11-232, I-18-6, Fitzgerald-C-20-12, I-12-23, I-18-9, Hedrick-E-9-55, Hinckel-P-30-1, Quandt-P-8-118, P-35-2, Stanton-A-20-13, C-12-103, C-18-24, Isengart-E-8-59, Stoll-B-18-380, E-8-107, Misc-A-28-40. Want to Buy. Bill Laraway, 627 Kenwood Ave, Delmar, NY, 12054, (518) 439-2739

C-2-6 Valley Forge, B-28 Howell & King, B-37 DuBois, and F-16 Wacker. Cash or Trade. My A-11-1 Wooden Shoe (EX) for Harley-Davidson Bike and Goodyear Airplane Figurals. Tony Zanghi, 2225 Deer Trail Rd., Coopersburg, PA, 18036, (610) 346-8232

"E"s! Have Trade List (various types) to send for "E"s that I need or will buy. Larry Moter, 10149 Michaels Rd, Woodford, VA, 22580, (804) 448-3928

E-2-19 Yuengling Por-Tor and E-9-108 Yuengling Special. Harold Queen, 1001 Centre Ave., Jim Thorpe, PA, 18229, (717) 325-2612

WANTED (Continued) (Please remember there is no charge for Ads)

"E-11" & "E-14" Openers, Buy, Sell or Trade. Send me your list and I will get one back to you in return mail. If you want to just sell put price in. All replies will be answered.
Herb White, 3216 Jamaica Blvd So., Lake Havasu City, AZ, 86406

"E" Type Openers Wanted. Will Trade my "C", "E" and "I" Types.
Please send list of what you have and I'll send my list.
Ralph Tewksbury, 84 Wildwood Dr, Parkersburg, WV 26101 (304) 863-3627

"Searching For: E-11-18 Arrow, E-11-9 Lone Star, H-6-1 Blatz, H-6-2 Carling, H-6-8 Falstaff, H-6-3 Olympia, H-6-7 Olympia, H-6-4 Pabst, H-6-9 Pabst, H-6-14 Pabst and H-6-6 Schlitz, I-7-43 Acme, I-7-82 Balboa, I-7-46 Berghoff, I-7-64 Edel Brau, I-7-50 Falls City, I-7-79 Frederick, I-7-54 Manhattan, I-7-68 Manhattan, I-7-30 NuGlobe, I-7-55 Old Dutch, I-7-34 Pilsner and I-7-58 St Claire. Will buy or trade (from collection if necessary).
Tom Gormally, 100 Nelson Pl, Westfield, NJ 07090, (908) 233-8867

M-2 Hires Root Beer "It's Pure" Opener in Good Condition. Will Pay Handsomely (\$250)!
Steve Sourapas, 1212 9th Ave West Unit 2, Seattle, WA, 98119, (206) 282-9922

H-8-5 Esslinger "Little Man Standing", H-8-19 Atlantic (Beer Garden Scene), L-1-5 Pabst and L-1-8 Manns. Have some traders.
Harry Horn, 3113 Smoky Ct, Sacramento, CA, 95826, (916) 362-3590

DO THEY REALLY EXIST? Especially looking for tougher I-7 openers in VG or better condition. Also want I-15, J-4, and G-9 openers. Will trade my extra I-7's, other openers, collection of punch top and steel pull tab beer cans or cash \$ for your openers.
Tony Ricicki, 9 Laird Terrace, Somerset, NJ, 08873, (908) 873-0301

I-7 Beer or Non-Beer Openers. Do you have any that say "Vaughan" on the back? If so I'm interested. Extensive trade list or cash.
Hale Milano, 506 Springhouse Road, Camp Hill, PA, 17011-1454, (717) 737-5067

I-7 Openers. Have 2 O-4-30 Goetz Wall Mounts to trade. Also have a Syroco Scotty Corkscrew. Bill McKenzie, 6360 S Jellison St, Littleton, CO, 80123, (303) 979-0987

I-Types: Will send 10 "I" types from Wisconsin breweries to anyone with openers from states other than Wisconsin & Illinois. Will trade for what you think is equal value.
Darwin Wilcox, 8495 Croix Tr, Roscoe, IL, 61073, (815) 623-2255

M-3s #10,40,35,8,22,23,24,25,41,26,39,32,33,36,34,42,37,6
Vic Keown, 10547 Mert Ave, Saint Ann, MO, 63074, (314) 428-6343

M-3-27 Trommers, M-3-30 Gunther, M-3-31 Gunther, M-3-36 Piel Bros, M-3-38 Gunthers, M-3-39 Hialeah, M-3-41 Harrison (Heidelberg), M-3-42 Seitz to complete collection. Cash or Trade. Ben Hoffman, 213 Simmons Rd, Perkiomenville, PA, 18704, (610) 287-8243

M-19 Marked "Tiffany & Co" on Handle End, Silver Plated. Also any Elgin, ILL Openers & Figural Bottle Openers. Mike Caraker, PO Box 1233, Elgin, IL, 60121, (847) 742-6165

WANTED (Continued) (Please remember there is no charge for Ads)

P-19-10 Kalispell, P-18-3 Washoe, P-31-6 Eureka, Purchase or Trade.

Have P-19-2 Townsend, M-73 Highlander Sliders (Red & Blue), and many other P's for trade.

Trade M-73 Highlander (Red & Blue) for M-73 Kessler or M-73 Lorelei (any colors).

Bill Pattie, 37050 SE 89th St., Snoqualmie, WA, 98065, (206) 888-2496

Bar Mount K-2 Blatz, K-8, K-9. Ed Broders, 10220 Westwood, Baton Rouge, LA, 70809-3243

Wanted following Openers which have a **Cigar Cutter**. B-28, N-6, N-28, N-49, P-29, P-48.

With or Without Brewery Advertising. Also any other Cigar Cutters. Cash or will Trade if I have your wants. Bill Ennis, 12220 14th Dr SE, Everett, WA, 98208

Cigar Box Openers: SHM-2,8,10,11,13,14 DHM-13,14,15,16 RBO-3,9,12 HOR-2,3 RND-6,8,9,10 SQR-1,4 NL-6 BB-1,6,19 BUT-2,4 PKT-1,5,6,8,9,10 SEP-2,6,7,8,9 MIS-4,6,7,10,11. Will purchase or trade from 600+ collection. (**Types from the Cigar Box Opener Handbook copies available from Mike for \$3.00 which includes mailing**)

Mike Schwimmer, 325 E. Blodgett Ave., Lake Bluff, IL, 60044-2112, (708) 295-1901

Cigar Box Openers-Will Buy or Trade for other C.B.O.s or Beer Openers.

Glen Enloe, 805 Tepee Dr, Independence, MO, 64056, (816) 796-9965

Connecticut Openers Wanted: Write for want and trade lists.

Paul Gauvin, 24 Strawberry Ln, Manchester, CT, 06040, (860) 646-9722

Corkscrews and Tin Can Openers: Have Beer Openers for Trade.

Joe Young, 36 S. Weston Ave., Elgin, IL, (847) 695-0108

Corkscrews, Beer Advertising Letter Openers, Beer Advertising Knives, and Postcards depicting Corkscrews. Please send description, photo, sketch, photocopy, or tracing of what you have and advise price wanted.

Don Bull, 20 Fairway Drive, Stamford, CT, 06903, (203) 968-1925

Corkscrews: Esp. Figural, Syroco, Thomason, Bakelite; also Wine Ephemera (Ads, Postcards, Labels, Grape Box Labels, Etc.); and Bakelite Anything. Buy Straight Out.

Abby Nash, 172 Bush Lane, Ithaca, NY, 14850, (607) 266-0690

Corkscrews: Esp. Walker's "Waiters & Hallboys" and any old Williamson wire shafted "T"s with any attachments to the wood handle (such as brushes and wire cutters).

John Vlossak, 1044 East Eldorado St., Appleton, WI, 54911, (414) 739-2789

Dairy Bottle Openers. Also **COCA-COLA Openers** from the 40s and Earlier.

Robert Bongiovanni, 154 Springers Mill Rd., Cape May Court House, NJ, 08210

For Dick's Beer Quincy, IL Collection: B-18-168, E-4-27, O-4-27, P-8-69. Also my P-1-2 Anheuser-Busch Corkscrew & \$30 for your P-1-4 Toledo Brewing Co., or P-73-3 F. D.

Radeke Brew. Co., or P-89-1 Banner Brewing Co., or P-97-1 National Brewery Co.

Ollie Hibbeler, 298 Highline Road, Lake Ozark, MO, 65049

WANTED (Continued) (Please remember there is no charge for Ads)

Dixie Beer Openers: B-19-199, E-6-133, I-11-169, I-12-17, I-22-21, N-2-2. Do they really exist? Wish to purchase. Lew Burritt, 125 Vogt Dr., Belle Chasse, LA, 70037, (504) 394-3567

From the Enterprise Brewing Co of Fall River, MA: A-20-47, B-18-26, B-21-430, C-12-135, E-13-35, E-14-526, E-14-779, I-11-13, J-1-1, and N-22-1.

Dave Dubrul, 88 Linden Terrace, Burlington, VT, 05401, (802) 864-2089

"F" Type Beer Advertising Openers, Beer Advertising Letter Openers, Beer Advertising Match Safes and Beer Advertising Knives (with or without openers on them).

Larry Biehl, 448 Crandon, Calumet City, IL, 60409

Any Openers from Jamestown Brewing Co, Kuhn's Beer, Chautauqua Brew, Monessen, PA, Independent Brewing Co, unusual Schaefer, and all Cleveland Beers.

Ed Schaefer, 366 Bassett Rd., Bay Village, OH, 44140, (216) 871-0449

Lexington Brewery (Dixie Beer) & Coca-Cola Openers. Want to buy any figurals or unusual older examples of these. Also looking for old manufacturer's brochures or catalogs (originals or copies of). Thom Thompson, 123 Shaw Ave., Versailles, KY, 40383, (606) 873-8787

Louisiana Brewery Openers from the following breweries: Old Union, 4-X, New Orleans Brewing Co., Dixie, Regal & Jax. I would like to sell or trade for openers a Seagram's Mount Royal light illuminated sign with clock #0710348021104.

Ed Broders, 10220 Westwood Ave, Baton Rouge, LA, 70809, (504) 293-2373

New Jersey Openers only. I have an extensive WANT LIST. Also any Breweriana from Paterson, NJ. Pete Lundell, 35 Barbara Lane, Oakland, NJ, 07436, (201) 337-5767 after 6PM

New York Openers: C-20-12 Fitzgerald, C-24-3 Moore & Quinn, E-3-38 Koch, E-4-4 American, N-22-4 Iroquois, P-125 Iroquois. I have Tons of great openers to trade.

Mark Barren, 6141 Tachi Dr., Newfane, NY, 14108-9517, (716) 778-9724

Sebald Beer Items (Middletown, Ohio). Also Stork Club and Storck Brewery Items.

Jim Stork, 7504 Parliament Crt, West Chester, OH, 45069

WASHINGTON D.C. Openers and/or Corkscrews. Also figural corkscrews.

Sandra Emme, PO Box 1454, Upper Marlboro, MD, 20773, (301) 627-8207

West Virginia Openers (B-7-12, B-18-110, and H-4-3), also Southern US Beer openers and corkscrews. Roger Jarrell, 1500 Sedwick Rd., Durham, NC, 27713, (919) 544-7787

Don Bull's Latest Trade List

Don's latest trade list is two pages over. Many, many good types remain. He is always looking for good corkscrews, beer advertising knives and letter openers and corkscrew postcards.

Don't miss out on a chance to own some really rare openers. Don has always been extremely fair trading with me and his generosity is well known throughout JFO.

SELLING (Please remember there is no charge for Ads)
--

Non-Beer "F-Type" Openers For Sale. Send SASE for list.

Darwin Miller, #32 La Canada Way, Hot Springs Village, AR, 71909, (501) 922-1615

"Openers and Corkscrews For Sale", Send SASE (Business Size) for 4 page list.

Carl T. Jantos, 7025 Kevin Drive, Bethel Park, PA, 15102-3913

Everyone is ordering them...Opener Display Case: Display-Organize-4 different models \$10.00 each plus S&H, 4 or more ONLY \$7.95 plus S&H Visa/MC Accepted. Made of a revolutionary clear, flexible plastic. With lid snapped on will protect from Dust, Damage and Theft. Collector's Display Case Co. Dept. JF-1, RR 2 Box 73, Fremont, NE, 68025-9635, (402) 721-4765 Mike has credit card size Patent Date cards. Send SASE for a copy.

Wanted: Cigarette Lighters/Watch Combo or any Lift Arm Lighters or any Enameled Lighters. Also Cuff Links, especially "Snapper" type and Fountain Pens. Mike and Rita Pratt, RR 2 Box 73, Fremont, NE, 68025, (402) 721-4765

"American Breweries II": by Dale Van Wieren. Over 18,000 entries for nearly 8,000 brewing firms, tracing names, addresses, and dates of operation. (\$28 1st Class).

John Stanley, PO Box 64, Chapel Hill, NC 27514-0064

"JFO Back Issues" xeroxed for \$50.00 postpaid. Xerox copies of all JFO back issues 1979-96 (72 issues). John Stanley, PO Box 64, Chapel Hill, NC 27514-0064

1997 Additions and Corrections to the 1996 Handbook

The next 11 pages have the 1997 Additions and Corrections to the 1996 Handbook of United States Openers and Corkscrews. The October JFO issue had few New Discoveries of older openers (corkscrews being the exception). Every year new Additions keep pouring in. I am continually amazed at what turns up. Thanks to all members who helped. Make 1997 just as good a year for finding openers and corkscrews as 1996 was.

Member's Want Lists

The five pages following the additions contain the combined want lists of several members. If you have any of these openers and are willing to trade or sell them contact the member who needs the opener or corkscrew to get their trade list.

Just For Openers Auction Guidelines

Please Note: No Commission Is Charged For Any Openers Consigned

This auction is a service to members of JFO. Consignments can consist of up to 20 openers (of course if you have more than 20 nice openers and/or corkscrews for the auction, I would consider auctioning the whole lot). I would appreciate anyone wishing to submit openers for the auction that they write me first. Include a list of openers you wish to auction along with a condition for each item. If you wish to auction an item with a value of over \$50.00 I would be willing to place a reasonable minimum bid on the item. Any openers submitted for the auction should have a minimum value of \$5.00. I presently have many less than \$5.00 openers available for the auction. Money received for your openers is sent to you within 3 to 4 weeks of the closing date.

Please Write First Before Sending Consignment Material.

Don Bull's Latest Trade List

Don Bull, 20 Fairway Drive, Stamford, CT 06903, 203-968-1925.

I am disposing of my type collection. Will trade for corkscrews and beer advertising letter openers. Need any?

TYPE	Cat. # *	TYPE	Cat. # *	TYPE	Cat. # *	TYPE	Cat. # *	TYPE	Cat. # *	TYPE	Cat. # *	TYPE	Cat. # *
A-01	1	B-22	14	D-09	1	I-13	63	M-11	1	M-74	1	Q-11	6
A-01	7	B-22	20	D-12	5	I-13	64	M-12	1	M-91	5	Q-15	2
A-02	1	B-23	1	E-05	9	I-14	5	M-14	1	N-02	1	Q-18	4
A-03	1	B-23	30	E-05	67	I-14	21	M-15	1	N-08	1	Q-22	1
A-04	22	B-24	30	E-09*	2	I-14	23	M-15	1 unf.	N-09	10	Q-34	1
A-05	1	B-25	2	E-19	4	I-14	33	M-15	1 Chrom	N-10	1	R-01	1
A-06	1	B-30	3	E-20	1	I-15	21	M-16	1	N-11	2	R-01	2
A-07	8	B-39	1	E-24	1	I-15	29	M-17	1	N-12	1	R-02	1
A-08	1	B-42	8	E-28	2	I-15	39	M-18	1	N-13	1	R-03	1
A-10	1	B-52	4	G-01	4	I-15	61	M-19	2	N-14	1	R-03	2
A-12	6	B-55	7	G-02	7	I-16	2	M-19	3	N-16	1	R-03	5
A-13	4	B-57	4	G-03	3	I-16	32	M-19	4	N-20	2	R-06	1
A-15	4	B-58	16	G-03	5	I-16	40	M-19	5	N-20	5	R-06	2
A-15	16	C-01	3	G-04	3	I-17	4	M-19	9	N-26	1	R-07	1
A-16	5	C-02	1	G-07	20	I-17	10	M-19	10	N-29	3	R-08	1
A-20	9	C-04	1	G-09	25	I-17	70	M-20	1	N-30	1	R-09	1
A-20	11	C-05	1	G-12	1	I-17	95	M-21	1	N-31	1	T-01	1
A-21	10	C-06	3	G-12	5	I-17	235	M-24	1	N-32	1	T-01	2
A-21	11	C-07	1	G-13	8	I-17	284	M-27	1	N-46	1	T-01	3
A-23	3	C-09	2	G-14	1	I-18	3	M-29	15	N-51	1	T-01	4
A-24	2	C-10	15	G-14	2	I-20	1	M-30	4	O-02	1	T-01	5
A-26	3	C-11	1	G-15	1	J-01	2	M-31	1	O-02	3	Z-01	1
A-27	1	C-12	147	G-17	1	J-05	6	M-32	2	O-03	1		
A-29	48	C-13	55	G-18	1	J-06	22	M-33	1	O-04	1		
A-32	1	C-14	6	G-20	1	J-07	2	M-34	1	O-04	3		
A-32	2	C-15	6	G-23	1	J-08	7	M-35	1	O-04	4		
A-32	3	C-16	11	G-27	2	J-09	2	M-35	3	O-04	5		
A-38	6	C-17	6	H-01	18	K-04	1	M-36	2	O-04	11		
A-41	1	C-18	11	H-02	43	L-01	4	M-37	1	O-04	13		
A-42	3	C-19	1	H-03	18	L-01	6	M-38	1	O-04	14		
A-43	6	C-20	16	H-05	15	L-03	3	M-40	1	O-05	3		
A-44	1	C-21	4	H-06	10	L-04	27	M-42	1	O-05	5		
B-01	14	C-22	2	H-07	2	L-04	31	M-45	1	O-05	6		
B-02	15	C-23	1	H-07	12	M-01	13	M-47	1	O-05	7		
B-03	1	C-25	1	H-08	2	M-01	14	M-49	1	O-05	10		
B-04	3	C-28	1	I-01	1	M-01	16	M-50	3	O-05	17		
B-04	4	C-31	1	I-03	3	M-02	3	M-52	1	O-05	18		
B-04	6	C-33	1	I-04	7	M-03	16	M-55	1	O-09	1		
B-05	10	C-34	1	I-05	1	M-03	17	M-56	1	O-15	14		
B-06	4	C-36	1	I-08	1	M-03	21	M-57	1	Q-01	1		
B-07	5	D-01	9	I-09	1	M-04	2	M-59	1	Q-01	2		
B-14	35	D-02	6	I-10	1	M-05	1	M-62	1	Q-02	1		
B-15	13	D-03	5	I-11	36	M-06	3	M-63	1	Q-03	1		
B-16	2	D-03	20	I-13	8	M-06	4	M-65	1	Q-05	9		
B-19	131	D-04	6	I-13	20	M-07	1	M-66	1	Q-06	2		
B-20	1	D-05	20	I-13	26	M-09	2	M-70	5	Q-09	4		
		D-06	1	I-13	36	M-10	1	M-71	1	Q-09	6		

*Cat. # is the reference in "The 1994 Handbook of Beer Advertising Openers and Corkscrews" by Stanley, Kaye and Bull

JANUARY 1997 ADDITIONS TO 1996 HANDBOOK
(COPYRIGHT JANUARY 1997 JOHN STANLEY)

JANUARY 1997 CORRECTIONS TO 1996 HANDBOOK
(COPYRIGHT JANUARY 1997 JOHN STANLEY)

- A-1**
88. (BREW) 102
89. BROADCHESTER MALT 8652 SO., BROADWAY
90. CUDAHY MALT EXT. CO. 804 LAYTON AVE.
91. EVANS & GIEHL, INC. BREWERS ROME, N.Y.
92. OLD STYLE BEER
93. STONE MALT CO. AKRON, OHIO.
- A-1 CORRECTIONS**
61. MALTOSIA **BUFFALO, N.Y.** (97,211)
78. MARKET BEVERAGE & SUPPLY CO. 1403 MARKET ST.
SAN DIEGO (DELETE NON-BEER) (97,339)
63. UNION MALT PRODUCTS CO. **MILWAUKEE, WIS.** 1806
VLIET ST. (96,583)
28. "YOSEMITE BEER" S.F. (97,587)
- A-3**
38. BLUE ISLAND MALT CO. 13119 WESTERN AVE.
PHONE-BLUE ISLAND 9T
39. USE MANHATTAN MALT E.C. SWAN 665 CARROLL ST.
AKRON, O.
40. ASK YOUR GROCER FOR TRI-MAC BRAND MALT HOP
WORCESTER, MASS.
- A-3 CORRECTIONS**
23. THE BRUMALT CO. KANSAS CITY MO. BRUMALT
PLAIN-HOPPED (97,583)
20. C.O. HART, SEATTLE, WASH. MALT **SYRUP & HOPS.**
(97,587)
- A-4**
53. DRINK IT'S PURE CITY BREWING CO. WAPAKONETA,
O.
54. CONTINENTAL B'W'G. CO'S GOLD SEAL BEER PHILA,
PA.
55. J.M. DANZER'S AROMA HERMANN, MO.
56. IF LOST NOTIFY A. GETTELMAN BREWING CO.
MILWAUKEE
57. "OERTEL BREW" CREAM BEER
- A-4 CORRECTIONS**
37. "THE KEY" TO HOSTER'S SCHLEE'S & COLUMBUS
BOTTLE BEERS" (97,339)
- A-5**
84. ASK FOR A-Z MALT EXTRACT 17 SUMMER ST. LYNN,
MASS. AND 104 MAIN ST. PEABODY, MASS.
85. AMERICAN GIRL MALT 1571 CENTRAL AVE.
CINCINNATI, O.
86. BEN'S MALT STORE 647 MARKET ST SAN DIEGO MAIN
2240
87. RICHARD BORRA MALT HOPS & SUPPLIES 1245 MACK
AVE. PHONE LENOX 1938
88. CANADIAN CLUB MALT EXTRACT 1803 VINE ST.
89. CHUCK'S MALT STORE 1364 NO. WESTERN HO 9318
90. CONCORD MALT & HOPS 1260 CONCORD AVE.
EDGEWOOD 3124
91. GILLUM'S MALT HOME BOTTLER'S SUPPLIES
LAWRENCEBURG, IND. PHONE-116
92. MILWAUKEE MALT CO. 841 BROADWAY BUFFALO, N.Y.
93. OLD DUTCH MALT VARIETY SUPPLY STORE 4303
AVALON
94. PEERLESS MALT SYRUP / MARTIN SALES CO. 7440
GRATIOT DETROIT
95. OSCAR SABBE MALT AND HOP STORE 9977 GRATIOT
AVE. WHITTIER 5459
96. DRINK WOOLNER'S BEVERAGES TOLEDO
- A-5 CORRECTIONS**
80. BAVARIAN & COLUMBIA MALTS COLUMBIA PRODUCTS
CO. (DELETE USE #9) (97,158)
18. ASK FOR FLECK'S QUALITY BEVERAGES SINCE 1856
(97,8)
47. M. & T. MALT BEVERAGE CO. MALT & HOPS 2530
GRAND RIVER GLENDALE 3321 (97,339)
- A-7**
35. BETHLEHEM MALT & HOP CO. 515 E. 3RD ST. PHONE
3917
36. DRINK BUFFALO BEER
37. MARX CUT-RATE MALT STORES 186 SO. 4TH ST. &
206 E. MAIN ST. MAIN 8261
- A-7 CORRECTIONS**
19. BETHLEHEM MALT CO. 515 E. 3RD ST. PHONE 3917
(ADDED '& HOP' 96,261) (CHANGE BACK
97,11)
- A-12**
23. DRINK JAMAICA DRY
- A-12 CORRECTIONS**
22. JOHN GRAF CO. / **JAMAICA PALE DRY GINGER ALE**
(97,587)
- A-13**
28. HOSTER BREWING CO. COMPLIMENTS GEO. C. FRANK,
NORFOLK, VA.
- A-15 CORRECTIONS**
15. SOUTH BEND BREWING ASSN. DRINK- "**GOLDEN GLOW**"
(97,211)
26. SOUTH BEND BREWING ASSN. DRINK "**TIGER BREW**"
(97,211)
42. SOUTH BEND BREWING ASSN. DRINK "**TIGER EXPORT**"
(97,211)
- A-16**
14. GOLDEN VALLEY MALT CO. H.B. WOODHULL, PROP.
8732 GRAND RIVER AVE., DETROIT
15. SPOKANE BOTTLE SUPPLY CO. PHONE MAIN 3580 408
SPRAGUE AVE., SPOKANE (SEE P-19-50)
- A-17**
40. ANHEUSER-BUSCH BEER F.J. TOUGAW & CO.
VINCENNES, IND.
41. KLINKERT'S BEER RACINE, WIS.
- A-17 CORRECTIONS**
3. DRINK "**FREMONT**" BEER (97,339)
- A-20**
48. DRINK BUDWEISER AS YOU LIKE IT IN BOTTLES IN
CANS / THE CONCORDIA ICE & COLD STORAGE
COMPANY
49. DIAMOND SPRING ALE / SAME
- A-21**
113. BARBAROSA PREMIUM RED TOP BEER & ALE
114. SPIN AROUND TO HYATT'S GOOD BEER 35 MAIN ST.
GREENWICH, N.Y.
115. SCHLITZ OR ATLAS WHICH WILL IT BE? NOX-AGE
PEKIN, ILL. PHONE 1180
116. SPOKANE BOTTLER'S SUPPLY CO. "ALL BRANDS OF
BEER" MALT AND HOPS PHONE: MAIN 3580 W.
408 SPRAGUE (SEE P-19-50)
- A-25 CORRECTIONS**
3. BLATZ MILWAUKEE (DELETE USE A-38-3) (97,339)
4. EDELWEISS BEER (DELETE USE #9) (97,339)
1. HAMM'S FAMOUS **BEER (HAMM ST. PAUL IN LOGO)**
(97,339)
8. HAMM'S PREFERRED STOCK (HAMM ST. PAUL IN
LOGO) (DELETE USE A-38-1) (97,339)
2. INDEPENDENT BREWING CO. DUQUESNE SILVER TOP
(DELETE USE A-38-4) (97,339)
5. INDEPENDENT BREWING CO. SPECIAL PALE EXPORT
BREW (DELETE USE A-38-7) (97,339)
6. KINGS (DELETE USE A-38-6) (97,339)
7. PITTSBURGH BREWERY TECH BEER (DELETE USE #10)
(97,339)
- A-28**
51. A KEY TO THE BOTTLED BEER FROM G.W. GAMMEL
UTICA, N.Y.
- A-29**
80. B & M MALT AND HOP STORE SUGAR AND GRAIN
WHOLESALE AND RETAIL 6711 MICHIGAN AVE.
81. "ASK HARRY" CLOVER MALT & HOP STORE 95
AMSTERDAM AVE. N.Y. CITY.
82. DAVID HOFFMAN BOTTLES, BAGS, MALT BOTTLER'S
SUPPLIES 617 EAST WOODRUFF AVE. ADAMS
2831
83. OLD DUTCH FIGUEROA MALT SHOPPE 5973 FIGUEROA
ST.
84. PABST BLUE RIBBON-SCHLITZ DUMAINE BROS. TEL.
460

A-29

85. USE THE BEST SHER-MALT-SHERLO RED RIBBON-GOOD LUCK SHERMAN'S TRENTON, N.J.
 86. SOUTHERN SELECT BEER BOYETT DIST. CO.

A-29 CORRECTIONS

37. JETTER BEV. CO. OMAHA, NEBR. FOR YOUR HEALTH'S SAKE DRINK JETTER'S IT'S PASTEURIZED. (97,339)
 23. POTOSI BREWING CO. POTOSI, WIS. / "WISCONSIN LAGER" "THE DRINK FOR YOU" (97,181)
 71. REINE CO. S.F. BEST-EVER MALT & HOP SYRUP / SAME (DELETE USE #70) (97,339)

A-33 CORRECTIONS

3. RAINIER BEER RICHTER BOTTLING CO. (97,587)

A-35

41. MALT PRODUCTS CO. 391 HAMILTON ST. ALLENTOWN, PA. PHONE 3-1234
 42. H. WEISBERG-VERY BEST IMP. MALT AND SUPPLIES WEST SIDE BRANCH-13376 MADISON EAST SIDE BRANCH 10524 EVERTON
 43. WESTCHESTER COUNTY BREWING CO. MT. VERNON, N.Y.

A-38 CORRECTIONS

2. BLATZ PRIVATE STOCK (STAR) (DELETE USE #3) (97,339)
 6. KINGS BREWERY INC BROOKLYN NEW YORK KINGS BEER FIT FOR A KING KINGS BEER PILSNER STYLE (97,339)
 5. UNITED STATES BREWING CO. CHICAGO SAVOY SPECIAL U S SAVOY SPECIAL BREW (97,181)

A-42

23. COMPLIMENTS OF ANAHEIM MALT SUPPLY CO. 208 W. ANAHEIM BLVD. PHONE WILMINGTON 1803 ASK FOR MALTEEN.

A-44

6. CREST-O-BEST MALT J.M. PITCHER 1915 S. PEDRO WE 1085

A-52

2. CANADIAN MAID MALT

A-58

2. DOGFISH HEAD BREWINGS & EATS (PIC OF FISH)
 3. PABST GENUINE DRAFT LIGHT COLD FILTERED BEER / BE A LIFE SAVER, DON'T DRINK AND DRIVE

B-2

46. CALL FOR BOSCOBEL BRG. CO. BEER BOSCOBEL, WIS.

B-5

37. MFR.-MOEHN BRG. CO. BURLINGTON, IOWA. MALTO-DEXTRINE NON-ALCOHOLIC
 38. COMPLIMENTS OF "THE WESTERN BREWER" H.S. RICH & CO. PUBLISHERS CHICAGO-NEW YORK / >MANUFACTURED BY< NATIONAL SELLING CO. >ALLENTOWN, PA.<

B-8

9. DRINK WOOLNER'S TOLEDO'S BEST BEVERAGES

B-13

107. DRINK VAL BLATZ / J.H. MAHNKEN 7217 E 15TH. ST. K.C., MO.
 108. BLUE RIBBON MALT & HOPS / ATLANTIC FOOD PRODUCTS CORP. 127 N. 13TH ST. PHILA., PA.
 109. COMPLIMENTS OF LEMBECK & BETZ EAGLE BREWING CO. JERSEY CITY, N.J. / DRINK AMERICAN CLUB BEER
 110. COMPLIMENTS OF NEVIN-FRANK CO. / MONTANA DRY GINGER ALE (BOUGHT CENTENNIAL BREWING CO BUTTE,MT)
 111. NEW BRAUNFELS BREWING CO. KEY TO GOLD MEDAL
 112. WATERTOWN ALE AND LAGER

B-13 CORRECTIONS

60. ATLAS MALT PROD. CO. 314 W. MILWAUKEE ST. JANESVILLE, WIS. (DELETE USE B-36-5) (97,181)

B-14

182. DRINK FITGER'S NON-ALCO
 183. OREGON YEAST COMPANY 189 1/2-3D STREET PORTLAND, OREGON PHONE ATWATER 5734

B-14 CORRECTIONS

36. OAKLAND / "THE WEST'S BEST BET" (97,587)

B-18

572. KEY TO ANHEUSER BUSCH BEER EXCELSIOR BOTTLING WKS. SCHENECTADY, N.Y.
 573. BANNER BREWING CO. SAGINAW, MICH.
 574. M. BUOB BRG. CO. DRINK GOLDEN CROWN BEER
 575. "COLFAX BEER" / SAME
 576. DRINK CREAM CITY BREWING CO'S BEER MILWAUKEE, WIS.
 577. THE CUMBERLAND BREWING CO'S
 578. COMPLIMENTS OF DOSTAL BROS. BUCYRUS, OHIO / CALL FOR EHRENHREIS THE BEER EXTRAORDINARY
 579. HACK & SIMON VINCENNES, IND. / BEST BEER IN THE STATE
 580. HARVARD \$1000 PURE BEER / A.L. SACHLEBEN HACKENSACK, N.J.
 581. C. HAUCK & SONS BREWING CO. KINGSTON, N.Y.
 582. DRINK THE KAMM & SCHELLINGER BREWING CO'S BEERS. MISHAWAKA, IND.
 583. THE WILLIAM RAHR SONS CO. BREWERS AND BOTTLERS MANITOWOC, WISCONSIN
 584. RAINIER BEER
 585. AGENT SCHLITZ MILWAUKEE BEER / C.A. HINDS ORANGE, MASS.
 586. MEMBERSHIP KEY TO SCHWARZENBACH BREWING CO. HORNELLE, N.Y.
 587. CALL FOR SEHRING'S STANDARD PALE
 588. HENRY G SELL "SELECT BRAND MALT" BEVERAGE SUPPLIES / FILL. 2675-W 3243 BAILEY AVE.
 589. DRINK STAHL BEER
 590. UTICA CLUB BEER SOUTHERN NEW HAMPSHIRE WAREHOUSE CO. NASHUA, N.H.
 591. W.VA. BREWING CO. KEY TO THE WEST VIRGINIA EXPORT BEER HUNTINGTON, W.VA.
 592. YOSEMITE LAGER / PAUL L. CAVALA

B-18 CORRECTIONS

492. KEY TO ANGELES BREWING AND MALTING COMPANY'S PILSENER BEER (97,587)
 184. GERMAN AMERICAN (DELETE USE #273) (97,406)
 365. HOME SUPPLY 2812 ROCKEFELLER AVE. MAIN 878 EVERETT, WN. / MALT-HOPS SYRUP (97,587)
 366. KEY TO IMPERIAL BREWING COMPANY'S "MAYFLOWER" MISSOURI'S BEST BOTTLED BEER (97,587)
 238. DRINK YELLOWHEAD BEER (DELETE FOREIGN) (97,339)

B-19

233. LITCHFIELD BRG. CO.
 234. THE KEY TO MOOSE BEER M.F. WOLF, DUQUESNE, PA
 235. PITTSBURGH BREWING CO'S "TECH BEER"
 236. THE PROVIDENCE BREWING CO'S BOHEMIAN BEER NEW ENGLAND'S FINEST ABSOLUTELY PURE / CANADA MALT ALE
 237. SCHOBER ICE AND BREWING CO. SAN ANTONIO, TEX.
 238. WETTERER'S BEERS ARE THE BEST

B-19 CORRECTIONS

229. DRINK BROADWAY BREWING CO'S PURE BEERS BUFFALO, N.Y. (97,583)
 74. BUFFALO CO-OP (DELETE USE #43) (97,406)
 33. RUHSTALLER LAGER BEST BEER BREWED SACRAMENTO-CAL. (DELETE '/') (95,587) (97,587)
 195. WALLA WALLA BREWING CO. WALLA WALLA, WASH. / KEY TO "KLOSTER BRAU" AND "EXTRA PALE" BEER. (97,587)

B-21

534. DRINK BLUE SEAL BEER THE BEST OF ALL / COMPLIMENTS OF WOOD-DUNNELLS CO. HAVERHILL, MASS.
 535. DRINK BOHEMIAN / COMPLIMENTS OF HENRY W. GAGON PROP. STAR CITY BOTTLING WORKS
 536. ASK FOR CROWN BEER CROWN B'R'G. CO. CINCINNATI
 537. DECATUR BRG. CO. PILSNER
 538. FOX LAKE BREWERY FOX LAKE, WIS.
 539. KING'S BOHEMIAN LAGER A SPECIALTY J.A. BELLAVANCE 2 & 4 CANAL ST.-NASHUA, N.H. PHONE 284
 540. LIMA BREWING CO. LIMA, OHIO / HIGH GRADE BEER
 541. DRINK NEW BETHLEHEM BREWING CO'S WURZBURGER N.B.A.A.-1

B-21

542. DRINK PORTNER'S HOFBRAU / COMPLIMENTS OF FRED PORTER PORTER'S CORNER
 543. CALL FOR SCHLITZ THE BEER THAT MADE MILWAUKEE FAMOUS / JACOB SCHREIBER & SON 2525 NORTH BROAD ST. PHILADELPHIA, PA.

B-21 CORRECTIONS

231. DRINK CLINTON BREWING CO'S POINTER BEER (97,587)
 482. DRINK FORT SCHUYLER ALE UTICA, N.Y. (97,181)
 256. HARVEST-KING DISTILLING CO. KANSAS CITY, MO. HARVEST KING PILSENER BEER 1 BASKET 36 PINTS \$3.00 (97,587)
 201. KEY TO RAINIER BEER / KIRCHNER & MANTE OAKLAND, CALIF. (DELETE 'CO.') (97,587)
 88. THE VICTOR BREWING CO. JEANNETTE PA. GILT EDGE BEER (94,178) (ADD 'BEER') (97,158)
 319. DRINK YELLOWHEAD BEER (DELETE FOREIGN) (97,339)

B-22

124. ANTIGO (ANTIGO BREWING CO WIS?)
 125. DRINK LEMP'S BEER / C.H. REILLEY DISTRIBUTOR
 126. MALTO=DEXTRINE CO. BURLINGTON, IA. / SAME
 127. MOEHN BREWING CO. BURLINGTON, IA. / SAME
 128. DRINK OLD STYLE LAGER
 129. DRINK SPRINGFIELD BEER

B-23

168. AMERICAN FOOD PRODUCTS CO. "EVERYTHING FOR THE BOTTLER" 204 FIRST ST. PEORIA, ILL.
 169. BURKHARDT'S
 170. GOLDEN CREME MALT SUPREME
 171. RED WING BEER COKINS YOU PAY (SPINNER)
 172. SUNNYSIDE MALT SYRUP A. GASBARRO & CO.
 173. TWIN DUTCH MALT & HOP STORE 5939 IRVING PARK BLVD. PALISADE 7822

B-24

106. ANN ARBOR OLD-TYME-BRU BEER

B-24 CORRECTIONS

75. BECKER BREWING AND MALTING COMPANY EVANSTON, WYOMING (97,587)

B-29

7. DUBOIS BEERS BUDWEISER WURZBURGER

B-31 CORRECTIONS

3. FALSTAFF BOTTLED BEER / SAME (97,321)

B-32

2. JOHN GRAF CO. / GRAF'S BEVERAGES THE BEST WHAT GIVES
 3. JOHN GRAF CO. THE GENUINE GINGER ALE / JAMAICA

B-35

22. STERLING BRAND MALT & HOPS / 288 SPRINGFIELD AVE. NEWARK, N.J.

B-42

10. BLUE RIBBON MALT EXTRACT AMERICA'S LARGEST SELLER 3 FULL POUNDS IN EACH CAN
 11. ASK FOR KERN'S BEER CREAM OF MICHIGAN / SAME

B-52

6. DRINK "IT'S WIEDEMANN'S" HURTH'S PORTSMOUTH, O.

B-53

3. THE AMERICAN BREWING CO. OF PEKIN

B-55

24. FALSTAFF BEER (IN SHIELD) SINCE 1870
 25. SCHMIDT BEER

B-58

28. BUD LIGHT

B-62

5. COORS LIGHT

B-63

14. B-21-459 PT. HURON

B-73

CAP LIFTER/PLASTIC INSERT

(SEE B-57 & B-58)

2 3/8"

JACK FORD/ART SANTEN

1997 (1-3)

1. COORS (6 STARS)

2. MILLER HIGH LIFE (IN LOGO)
 3. OTTER CREEK BREWING MIDDLEBURY VERMONT (OBC IN LOGO)

B-74

CAP LIFTER/SHAPE OF A LARGE KEY

MADE BY CYMBA, INC.

3 3/8"

JOHN BITTERMAN

1997 (1)

1. ALCATRAZ BREWING CO BEST BEER BEHIND BARS (INDIANAPOLIS, IN MICRO)
 C-3
 4. FARMER'S BREWING CO. BREWERS & BOTTLERS SHAWANO, WIS.
 C-6
 13. PABST BLUE RIBBON THE BEER OF QUALITY 522 / LAFAYETTE 8300 KOOL-RITE
 C-8 CORRECTIONS
 2. "CAPS OFF" DRINK GRAIN BELT 63-502 (97,339)
 C-10
 49. PEOPLES BREWING COMPANY OF TRENTON / TRENTON OLD STOCK BEER
 C-10 CORRECTIONS
 48. FAMOUS BEVERWYCK BEERS & ALE ALBANY, N.Y. (TRADE MARK) (97,271)
 C-11 CORRECTIONS
 29. DRINK GRAF'S BEVERAGES PHONE ORCHARD 8800 / "THE BEST WHAT GIVES" WHITE SODA DRY GINGER ALES (97,583)
 C-12
 174. DRINK FRANK'S BEER
 175. LITHIA BEER MATUSCHKA CO., INC. KILB. 0606
 176. TADCASTER ALE WORCESTER'S MOST POPULAR SINCE 1888
 177. WAGNER BEER MIAMI, FLORIDA
 178. WISCONSIN CO-OPERATIVE BRW'Y. INC. GRAFTON, WIS. CO-OPERATIVE BEER
 C-12 CORRECTIONS
 165. THE TACOMA BREWING CO SAN FRANCISCO, CAL. / 5 1/2% TACOMA BEER EAST OR WEST (BOTTLE) (97,587)
 C-13
 304. ACME LAGER BEER / ROYAL-CREST WINES
 305. STANDARD BREWING CO. INC. ROCHESTER, N.Y. PHONE GLEN 373 STANDARD ALWAYS (BOTTLE)
 C-13 CORRECTIONS
 7. BREIDT'S BEER-ALES SINCE 1867 (97,16)
 247. NORTH POLE BREWING CO. HI-TOP BEER-ALE (BOTTLE) (97,450)
 C-15
 25. GENUINE DRAFT LIGHT / SAME
 C-20 CORRECTIONS
 2. FAMOUS BEVERWYCK BEERS AND ALES (2 VAR (A) BEVERWYCK BLOCK LETTERS (B) BEVERWYCK SCRIPT LETTERS) (97,271)
 C-21 CORRECTIONS
 2. KAIER'S OLD DIAMOND ALE & PORTER "FAMOUS AS ANTHRACITE" / KAIER'S SPECIAL BEER "FAMOUS AS ANTHRACITE" (97,158)
 C-36
 7. HOME PRODUCTS CO. MALT-KEGS-CROCKS-BOTTLES SPRINGFIELD, MASS.
 C-41
 2. KIEWEL'S / SAME
 C-45
 8. BUD LIGHT / SAME (WHITE ON BLUE)
 9. COORS LIGHT / SAME (WHITE ON BLUE)
 10. COORS ORIGINAL / SAME (BLUE ON WHITE)
 11. COORS RED LIGHT (STICK MAN) / SAME (BLACK ON RED)
 C-45 CORRECTIONS
 6. BUD LIGHT BEER / SAME (BLUE ON WHITE) (97,202)
 C-46
 (DELETE RELISTED AS Q-46)

C-48

CAP LIFTER

3 1/2"

ART SANTEN/JOHN STANLEY

1997 (1)

1. HARPOON BREWERY (PIC OF HARPOON) / SAME
C-49

CAP LIFTER/LARGE KEY RING HOLE
(NOT STAMPED BUT PAPER LABEL DECAL)

6 5/8"

ART SANTEN

1997 (1)

1. LONE STAR BEER THE NATIONAL BEER OF TEXAS
1991 LONE STAR BEER G.HEILEMAN BREWING
CO., INC. SAN ANTONIO, TX (ON PAPER
LABEL DECAL)

D-1 CORRECTIONS

32. LANGE.SELECT / STERLING (97,339)

D-12

12. METZ BEER

E-1

55. MOUNT CARBON LAGER BEER / SAME

E-1 CORRECTIONS

13. THE TIVOLI-UNION CO. DENVER, COLO. / TIVOLI
BEER "FIRST FOR THIRST" (97,587)

E-3

73. IN JERSEY IT'S HENSLE'S BEER & ALE / SAME

E-4

338. AMERICAN BEVERAGE CO., DETROIT / "CREAM TOP"
BEER

339. APEX BREWING CO. INC.

340. ARROW BEER / PEPSI-COLA BOTTLING CO.

341. THE JOHN EICHLER BREWING CO. NEW YORK CITY,
N.Y. / EICHLER'S EXTRA BEER

342. THE JOHN EICHLER BREWING CO., 3582 THIRD AVE.
N.Y. / EICHLER'S EXTRA BREW

343. HOOSIER MALT CO. / 427 W. WASH. RI. 0431 902
VA.AVE. DR. 3476

344. HUSTING'S BEVERAGES / SAME

345. FRED KOCH BREWERY / DUNKIRK, N.Y.

346. OHIO MALT & HOP CO. 179 E. RICH ST.,
COLUMBUS, O. / "SAMPSON" PHONE ADAMS 4054
(SCREWDRIVER TIP)

347. PEACOCK ALE CO. CHICAGO / "FOUR HUNDRED CLUB"
THE ARISTOCRAT OF BEVERAGES

E-4 CORRECTIONS

100. AETNA BREWING CO. HARTFORD, CONN. / SPECIAL
DINNER ALE (97,181)

15. BUCKEYE BEER PICKS YOU UP / KRAUSESEN BREWED -
- AS OF OLD (97,339)

111. THE JOHN EICHLER BREWING CO. 3582 THIRD AVE.
N.Y.C. / EICHLER'S EXTRA BREW (97,158)

183. "OLD KING BEER" (SCRIPT) (97,339)

206. HENRY WEINHARD COMPANY / WEINHARD'S BEVERAGES
(2 VAR (A) WEINHARD'S (B) WEINHARDS)
(97,587)

154. JOHN WIELAND BREWERY / WIELAND'S BEVERAGES
(ADD '/') (97,587)

E-5

105. (EAGLE IN A) LEE'S DE-LITE BAR ON ROUTE 40-
MARSHALL, ILL. IF YOU CAN'T COME IN SMILE
AS YOU GO BY

106. FALSTAFF COMPLIMENTS OF REUTER DIST. CO.
PHONE 400 FLAT RIVER, MO.

107. GOETZ COUNTRY CLUB BEER (IN LOGO) SCOTT'S
PLACE WHEN YOU RUN OUT-RUN IN STERLING,
NEBR.

108. HYDE PARK 75 DISTRIBUTOR COMPLIMENTS OF ELMER
F. OERTER COLUMBIA-PHONE 44-ILLINOIS FROM
BOTTLE TO BOTTLE OURS IS THE BEST

E-5 CORRECTIONS

89. SCHLITZ STEHLE CAFE STEAKS-MEALS-BEER PH.739
WEST POINT, NEBR. (97,583)

80. STORZ BREWING CO., OMAHA, NEBR. / STORZ THE
ORCHID OF BEER (97,158)

E-6 CORRECTIONS

3. BANKERS ALE LUCKY LAGER X / SAME (97,587)

78. LUCKY LAGER LUCKY LAGER X / SAME (97,587)

E-7

77. LIMA BREWING CO. LIMA, OHIO / DRINK LIMA BEER

78. MANHATTAN BOTTLING WORKS PHONE WEST 206

79. MANITOWOC PRODUCTS CO. BANQUET BEVERAGES

80. DRINK RENNER'S ZEPP / AKRON'S BEST DRINK

E-7 CORRECTIONS

70. THE PH. ZANG BREWING CO. DENVER, COLO. / SAME
(97,213)

E-8

108. FIDELIO BREWERY NEW YORK

109. DRINK NEUWEILER'S FAMOUS PURITY / SAME

110. REIF'S SPECIAL / SAME (CHATTANOOGA BREWING CO
PROHIBITION DRINK)

111. JACOB RUPPERT'S KNICKERBOCKER / SAME

E-8 CORRECTIONS

34. FRONTENAC WHITE CAP ALE / FRONTENAC SPECIAL
(DELETE FOREIGN) (97,635)

E-9

130. THE ROYAL BREWING COMPANY / SAY TANNHAUSER
IT'S SOME DRINK

E-9 CORRECTIONS

44. SALT LAKE CITY BREWING CO. / AMERICAN BEAUTY
& REGAL LAGER (97,18)

104. SCHLITZ MILWAUKEE / THE BREW THAT MADE
MILWAUKEE FAMOUS (ADD '/') (97,583)

E-14

840. BUD LIGHT BUDWEISER

841. GLOBE BEER SUTTER 0120 BOTTLED BEER DRAFT
BEER FLAVOR / SAME

842. HULL BREWING CO. NEW HAVEN, CONN. / HULL'S
CREAM ALE & LAGER

843. IMPERIAL LAGER LOS ANGELES, CAL.

844. TIVOLI BREWING CO. 'PHONE PLAZA 0440

E-14 CORRECTIONS

50. COORS AMERICA'S FINE LIGHT BEER / SAME (2 VAR
(A) SLOGAN 1 LINE (B) SLOGAN 2 LINES)
(97,587)

601. FALSTAFF BREWING CORP. ST. LOUIS-OMAHA NEW
ORLEANS / THE CHOICEST PRODUCT OF THE
BREWERS ART (2 VAR (A) BREWERS (B)
BREWERS' (SINGLE QUOTE IS REALLY CIRCLE))
(97,158)

743. FESENMEIER BR'WG. CO. HUNTINGTON, W.VA. /
W.VA. SPECIAL W.VA. PILSNER (97,339)

801. LONE STAR BEER "CERTIFIED QUALITY" / SAME
(97,339)

627. MOERSCHBACHER'S PHILIPSBURG BEER (97,339)

662. MOERSCHBACHER'S PHILIPSBURG BEER / SAME
(97,339)

286. TROMMER'S BEER IT'S ALL-MALT & HOPS /
TROMMER'S BEER TASTE & COMPARE (97,158)

301. DRINK WIELAND'S EXTRA PALE / SAME (2 VAR (A)
SOME LOWER CASE LETTERS (B) ALL UPPER
CASE LETTERS) (97,587)

E-16

11. DRINK GANSER'S BEER OWATONNA, MINN

E-22

7. AURORA BREWING CO. A.B.C. BEER

E-23

23. THE INDEPENDENT BR'G. CO. SEATTLE, WASH. /
DRINK OLD GERMAN LAGER

E-23 CORRECTIONS

15. BOTTLER OF GEO. EHRETS BEER / ALBERT
KRUMENAKER 508 516 W. 166TH ST. (97,261)

E-27

9. STROH'S BOHEMIAN BEER. / AMERICA'S FAVORITE
E-27 (CORRECTION-ADD BACK)

ONE FRET OR TWO FRETS/ROUNDED TOP/THICK HANDLE/
SCREWDRIVER TIP MADE BY CRIMPING END OF HANDLE
HANDLE MUCH THICKER AND WIDER THAN E-4

OVERALL LENGTH IS SHORTER THAN E-4

(SEE E-4)

4"

E-27

- 1. KAMM & SCHELLINGER CO. MISHAWAKA, IND. / >A-R-R-O-W-> "IT HITS THE SPOT"
- 9. STROH'S BOHEMIAN BEER. / AMERICA'S FAVORITE

E-28 CORRECTIONS

- 5. DRINK EDELWEISS, FALSTAFF OR HIGH LIFE BEER / CLARA BELLE LEADS THEM ALL HENRY ROHLFF CO. (97,158)

E-29

- 2. GOOD OLD BRUCK'S BEER / CINCINNATI'S OLDEST BREWERY

E-31

TWO FRETS/FLAT TOP/
 FLAT BASE (SEE E-2, E-3 & E-21)
 WIDE WIRE HOOP
 3 3/8"
 HAROLD QUEEN

1997 (1)

- 1. ORANGE BREWERY QUALITY FIRST.

F-2

- 51. AMBER FLOW-DULUTH, MINN.
- 52. BLUE MOUND BEER DEPOT 515 N. 59TH.-BL-3100
- 53. DISTRIBUTOR OF BUDWEISER AND JAX BEER / COLONIAL GRO. CO.
- 54. HUSTING'S BETTER BEVERAGES
- 55. SEITZ BEER / DAUPHIN BEVERAGE CO. HBG., PA.

F-4

- 38. PATRONIZE HOME INDUSTRY-BUY PILSENER CLUB BREW 421 SO. 11TH ST.-24 HOUR SERVICE TEL. JA. 7576

F-6

- 92. THE GEO. A. BOHRER BRG. CO. LAFAYETTE, IND. / "INDIANA PRIDE" THE GEM OF ALL BOTTLED BEERS.
- 93. EDELWEISS MALT SYRUP NURSERY STOCK-FERTILIZER / WESTALL FEED & SEED CO. 1015 W. MANCHESTER THORWALL 3449
- 94. B. FINK 411 E. 3RD ST. PHONE 5811 / FEED, GRAIN, MALT
- 95. STERLING MALT & HOPS HIGHEST GRADE / 288 SPRINGFIELD AVE. NEWARK, N.J.
- 96. THE STEUBEN BREWING CO. STEUBENVILLE, OHIO. / "STEUBEN BREW" EXPRESSLY FOR THE HOME.
- 97. DRINK WOOLNER'S BEVERAGES TOLEDO / SAME

F-6 CORRECTIONS

- 47. BLATZ HETZEL BEV. CO-PHONE 168 DELAVAN, WIS. / SAME (97,158)

F-8

- 3. RUTGENS DISTRIBUTORS, INC. BLATZ & DREWRY'S PH. 223-0098 / SAME / SAME / SAME

F-14 CORRECTIONS

- 1. ATLAS BREWING CO. CHICAGO / SAME (97,126)
- 2. ATLAS BREWING CO. CHICAGO / SAME (DELETE USE #1)

F-15

- 13. FORT PITT BEER DISTRIBUTORS NEXT TO THE A.&P., BRADDOCK, PA.

F-21

- 3. ELECTRIC CITY BREWING CO. PHONE 262-W KAUKAUNA WISCONSIN

F-23

- 2. NEW ENGLAND MALT & HOP CO. 6 LARGEST STORES DETROIT, MICH.

F-24

- 2. HOFFMAN BEVERAGES PALE DRY GINGER ALE RASPBERRY CREAM SODA CHERRY CLUSTER BIRCH BEER ROOT BEER GRAPE SODA LEMON TRU FRU COCO CREAM ORANGE TRU FRU SARSAPARILLA

F-27

- 7. FRESNO BEVERAGE CO. / SIERRA BREW
- 8. ILLINOIS BREWING CO. ICE AND SODA WATER / SAME

G-1 CORRECTIONS

- 33. KINGS BEER (BOTTLE) (2 VAR (A) HORIZONTAL & CROWN LOGO (B) VERTICAL NO LOGO) (97,261)

G-3

- 17. GRAF'S CARBONATED BEVERAGES THE BEST SINCE 1873

G-5

- 41. DERBY & ANSONIA BREWERY DERBY, CONN. HIGH GRADE BOTTLE BEER
- 42. THE JOHN KUHLMANN BREWING CO. ELLENVILLE, NEW YORK
- 43. LION BREWERY OF NEW YORK CITY PILSENER & WUERZBURGER MAKES IMPORTED UNIMPORTANT (LION BREWERY LOGO)
- 44. SPRINGFIELD BEER, GOLD MEDAL TIVOLI

G-5 CORRECTIONS

- 12. FLOWER CITY BREW. CO. MALTOP BEER ACME ALE (97,339)

G-9

- 92. CARLING ALE-LAGER-PORTER (BLACK ON RED)
- 93. LUBECK BEER CLEVELAND PROSPECT 3230 (RED ON GREEN)
- 94. OERTEL BREWING CO., INC. LOUISVILLE, KY. / OERTELS' 92 (BLACK ON NATURAL)
- 95. STONEY'S AMERICA'S BEST BEER (BLACK ON NATURAL)

G-9 CORRECTIONS

- 64. FRONTENAC WHITE CAP ALE BLUE LABEL BEER (DELETE FOREIGN) (97,635)
- 34. GERBOTH BEER CO. 1002 W. 6TH ST. ERIE, PA. PHONE 7-7212 (WHITE ON RED) (94,178) (DELETE NON-BEER) (97,801)
- 9. O'KEEFE'S OLD VIENNA BEER (BLACK ON BLUE) (DELETE FOREIGN) (97,635)
- 57. SCHREIBER BREWING CO. INC. BUFFALO, NEW YORK MANRU AND KLOSTER BEERS SCHREIBER'S ALE (BLACK ON NATURAL) (97,181)
- 81. STAR ALE & LAGER / SAME (WHITE ON RED) (95,11) (CHANGE BACK TO 'ALE') (97,181)

G-14

- 13. BIG BUCK BREWERY & STEAKHOUSE GAYLORD, MI (WHITE ON GREEN)
- 14. FBI FRANKENMUTH BREWERY INC. (6 STARS TWICE) (WHITE ON BLACK)
- 15. FBI FRANKENMUTH BREWERY INC. (6 STARS TWICE) (WHITE ON BLUE)
- 16. FBI FRANKENMUTH BREWERY INC. (6 STARS TWICE) (WHITE ON GREEN)
- 17. FRANKENMUTH BREWERY INC. (LOGO) (WHITE ON GREEN)

G-19 CORRECTIONS

- 1. BARTHOLOMAY RIENZI BEER IN BOTTLES ONLY (97,339)

G-21

- 5. ABOVE ALL PEERLESS LIQUID MALT EXTRACT CONTAINS NO ALCOHOL

G-27

- 4. THE MILLER LITE DRINKERS / LITE LITE A FINE PILSENER BEER

G-28

- 24. BRECKENRIDGE BREWERY (BLACK ON BLUE)
- 25. DESCHUTES BREWERY ALES (BEND, OR MICRO)
- 26. DIXIE BEER (BLACK ON SILVER)
- 27. LITE ICE (WHITE ON BLUE)
- 28. OLD DOMINION BREWING CO. (LOGO) (703) 689-1225 (YELLOW ON RED)
- 29. PENN PILSNER (BLACK ON SILVER)
- 30. SHIPYARD ALE 1-800-BREW-ALE (WHITE ON BLUE)

G-32

- 5. MILLER GENUINE DRAFT / SAME

G-35

- 7. MAGNUM 5.5 BEER

G-41 (CORRECT LENGTH)

4"

G-42

CAP LIFTER/BRASS WITH REINFORCING RIBS
 3 7/8"

HAROLD QUEEN/ART SANTEN

1997 (1)

- 1. SHIPYARD BREWING COMPANY

G-43

CAP LIFTER/BRASS WITH PLASTIC INSERT
 MARKED "AMINCO SOLID BRASS"
 4 1/8"
 ART SANTEN

1997 (1)

1. ADOLPHUS BUSCH (PIC OF) AMERICAN ORIGINALS

G-44

CAP LIFTER/SOLID BRASS
 3 1/16"
 MARC BENJAMIN

1997 (1-2)

1. MILLER GENUINE DRAFT
 2. RED DOG (PIC OF DOG)

G-45

CAP LIFTER
 2"

FIL GRAFF/VERNE VOLLRATH

1997 (1-2)

1. PEARL LAGER BEER

H-1

45. TIVOLI KRAEUZENIZED LAGER BEER DENVER
H-1 CORRECTIONS
 21. DORTMUNDER-RITTER BRAU (DELETE FOREIGN)
 (97,635)
 15. KUEBLER BRG. CO. EASTON, PA. PREMIUM BEER-
 ALE-PORTER PHONE 4225 (97,339)

H-2

186. JOHN GRAF CO. JAMAICA PALE-DRY GINGER ALE
 187. KIEWEL WHITE SEAL BEER ORDER PHONE 2-1178 2-
 1179

188. SALEM BEER "IT'S THE BEER"

H-2 CORRECTIONS

58. DORTMUNDER RITTER-BRAU (DELETE FOREIGN)
 (97,635)
 20. DON'T SAY BEER-SAY "FORT SCHUYLER" (97,339)

H-3

52. TRENTON OLD STOCK BEER

H-6

16. MILLER GENUINE DRAFT

H-10

8. MODEL MALT SHOP CORKS, BOTTLES & SUPPLIES
-
- 1625 RIDGE AVE. TEL. POPLAR 0532

I-6

97. RHEINGOLD EXTRA DRY LAGER BEER
I-7 CORRECTIONS
 73. BALLANTINE BEER-ALE HANDY WAY TO REORDER
 (DELETE USE #7) (97,655)
 74. BERGHOFF BREWING CORP. FORT WAYNE, INDIANA /
 BERGHOFF BEER (DELETE USE I-6-46)
 (97,655)
 47. FOR OPENING BROWN DERBY BEER (DELETE USE #9)
 (97,655)
 12. DREWRY'S CANADA'S PRIDE SINCE 1877 (97,16)
 51. GENESEE BEER-ALE (DELETE USE I-6-16) (97,655)
 18. HABERLE CONGRESS BREWING CO. SYRACUSE, N.Y.
 CONGRESS LIGHT BEER (DELETE USE I-6-51)
 (97,655)
 19. HAMM'S SMOOTH MELLOW BEER (DELETE USE #52)
 (97,655)
 20. HAMPDEN MILD ALE (DELETE USE I-6-24) (97,655)
 21. PETER HAND BREWERY CO. MEISTER BRAU "THE
 BEER" (97,158)
 22. HARVARD HAS WHAT IT TAKES (DELETE USE I-6-72)
 (97,655)
 80. MEISTER BRAU "THE BEER" (DELETE USE #21)
 (97,655)

69. FAMOUS NARRAGANSETT LAGER & ALE (DELETE USE
-
- I-6-31) (97,655)

70. NORTHAMPTON BREWING CORP. NORTHAMPTON, PA.
-
- TRU-BLU BEER AND ALE (97,261)

35. RED TOP BREWING CO. CINCINNATI, OHIO / SAME
-
- (DELETE USE I-6-62) (97,655)

75. REGAL BEER / SAME (DELETE USE I-6-36)
-
- (97,655)

61. TROMMER'S BEER IT'S ALL MALT AND HOPS (DELETE
-
- USE I-6-66) (97,655)

I-11

376. LONE STAR BEER "TEXAS FINE LIGHT BEER" / LONE
-
- STAR BEER "TEXAS FINE LIGHT BEER" SAN
-
- ANTONIO

377. SCHLITZ JOS. SCHLITZ BREWING CO., MILWAUKEE,
-
- WISC. U.S.A. BREWERIES AT MILWAUKEE,
-
- WISC. BROOKLYN, N.Y. LOS ANGELES, CALIF.
-
- KANSAS CITY, MO. AND TAMPA, FLA. /
-
- SCHLITZ THE BEER THAT MADE MILWAUKEE
-
- FAMOUS

I-11 CORRECTIONS

363. SCHLITZ (95,227) (CHANGE BACK TO ORIGINAL
-
- LISTING) (97,583)

I-12

207. HOFFMAN SPARKLING BEVERAGES / SAME

I-17

290. COORS

291. SCHLITZ A.K. LEBOWSKY & SON WHOLESALERS BIG
-
- SPRING, TEXAS

I-17 CORRECTIONS

181. MAIER BREWING COMPANY LOS ANGELES, CALIF. /
-
- BREW "102" (97,587)

L-2

16. BUDWEISER, SCHLITZ MAHAN SUPPLY CO. WICHITA
-
- KAS.

17. INDIANA BREWING CO. NEW ALBANY, IND. EXPORT
-
- AND LAGER TABLE BEER (STANHOPE)

18. COMPLIMENTS OF MCAVOY BREWING CO. CHICAGO
-
- U.S.A.

19. TERRE HAUTE BREWING CO., TERRE HAUTE, IND.,
-
- VELVET (STANHOPE)

20. TEXAS BREWING CO. BREWERS & BOTTLERS OF FINE
-
- BEER FORT WORTH, TEXAS

L-2 CORRECTIONS

5. COMPLIMENTS ELDREDGE BREWING CO. ALE & LAGER
-
- BEER BREWERS PORTSMOUTH, N.H. (DELETE
-
- 'OF') (97,587)

6. HARP LAGER (DELETE FOREIGN) (97,339)

L-6 CORRECTIONS

2. BUFFALO CO-OPERATIVE BREWING CO. SPECIAL
-
- BREW EXTRA 6 (DELETE USE L-2-4)

1. TEXAS BREWING CO. FORT WORTH, TEXAS BREWERS
-
- & BOTTLERS OF FINE BEER (DELETE USE L-2-
-
- 20)

M-1

25. HAFFENREFFER & CO. BREWERS SINCE 1870
-
- PICKWICK ALE AMERICA'S FINEST ALE /
-
- HAFFENREFFER & CO. BOSTON BREWERS SINCE
-
- 1870 PICKWICK STOUT

M-1 CORRECTIONS

20. HAFFENREFFER BOSTON ASK FOR PICKWICK
-
- "REGULAR" "ALE THAT IS ALE" /
-
- HAFFENREFFER BOSTON BREWERS SINCE 1870
-
- PICKWICK LIGHT ALE (97,158)

M-2 CORRECTIONS

19. RISING SUN BREWING CO. SEE-BO BREW
-
- ELIZABETH, N.J. TEL. ELIZ. 521 ('RISING
-
- SUN BREWING CO. (S IN LOGO) SEE-BO SEE-
-
- BO' ON BOTTLE) (97,339)

11. WIELAND'S EXTRA PALE ('JOHN WIELAND'S
-
- BREWERY SAN FRANCISCO, USA. BREWERY'S ON
-
- BOTTLING JOHN WIELAND'S EXTRA PALE LAGER
-
- BEER' ON BOTTLE) (97,587)

M-3

43. THE QUEEN CITY BREWING CO. / CUMBERLAND, MD.
-
- / THE ORIGINAL OLD GERMAN BEER (RED)
-
- (OTT)

M-3 CORRECTIONS

23. FUHRMANN & SCHMIDT BREWING CO. / SHAMOKIN,
-
- PENNSYLVANIA / F AND S BEER ALE PORTER
-
- (FUHRMANN & SCHMIDT BREWING CO. IN LOGO)
-
- (RED) (97,213)

M-6

13. RING FOR KRUEGER'S BEER

M-29

M-82

- 66. BUDWEISER ON TAP LIQUORS-MIXED DRINKS THE CONCERT HALL BAR & BARREL HUGO NEUMANN PROP. HERMANN, MO.
- 67. PABST BLUE RIBBON (IN LOGO) COMPLIMENTS MARV'S TAVERN WHERE GOOD FRIENDS MEET ANNAWAN, ILL.
- 68. SCHLITZ BEER ON TAP ART'S PLACE THE CORNER TAVERN ART AND MILDRED, PROP. WHERE OLD FRIENDS MEET AND EAT EDGAR, NEBRASKA (BOTTLE)
- 69. STAG BEER CARLING BLACK LABEL BEER (IN LOGO) SCHWARTZ BROS. INC. WM. SCHWARTZ 1222 BROADWAY HANNIBAL, MO. PH. AC 1-0507
- 70. STAG BEER KOLA-BRU. BOTG. WKS. MEL J. NEWMAN & SON DISTRIBUTOR OF NEW ATHENS, ILL. OUR 25TH YEAR 1933-1958
- 71. STORZ (IN LOGO) YOU'RE ALWAYS WELCOME AT WALT'S PLACE (WALT & HERTHA) STORZ ON TAPE - - - GOOD COFFEE SCHLESWIG, IOWA

- 8. MILLER GENUINE DRAFT MILLER AMERICA'S QUALITY BEER (MILLER LOGO) / SAME
- 9. MILLER HIGH LIFE (MILLER LADY LOGO) / SAME
- 10. MILLER LITE A FINE PILSNER BEER / SAME
- 11. PLANK ROAD BREWERY ICE HOUSE BREWED -1855- (PIC OF BREWERY) / SAME
- 12. RED D(BULL DOG FACE)G / SAME

M-90

- 3. LONE STAR BEER THE NATIONAL BEER OF TEXAS (PIC OF STAR) (RED & GOLD ON WHITE) / SAME
- 4. LONE STAR BEER THE NATIONAL BEER OF TEXAS (PIC OF STAR) (RED & GOLD ON WHITE) / SAME (TWIST OFF CAP REMOVER ON BACK)

M-97

- 2. MICHELOB DRY BEER
- 2. GRAIN BELT BEER JUST A LITTLE THANK YOU FROM ROYALTON BEVERAGE CO.

M-98

M-106

CAP LIFTER

MARKED "SOLID PEWTER"
3 7/8"

OLLIE HIBBELEER/HAROLD QUEEN/ART SANTEN/JANET GOSS

1997 (1-3)

- 1. BUDWEISER KING OF BEERS (EAGLE IN A) (97,583)
- 23. BUDWEISER KING OF BEERS (EAGLE IN A) JAMES H. OVERTON CO. DISTRIBUTOR JACK WATKINS MANAGER CO-OWNER MARYVILLE, MO. (97,583)

M-30

- 81. BUDWEISER KING OF BEERS (EAGLE IN A) N.H. SCHEPPERS DIST. CO. JEFFERSON CITY-COLUMBIA
- 82. BUDWEISER KING OF BEERS WHEALAN'S TAVERN WM. & DOROTHY WATERLOO, ILL. PH. 939-9908
- 83. BUDWEISER ON DRAUGHT THE NEIGHBORHOOD TAVERN HU 1-9675 5007 MACKLAND AVE. DUTCH AND LIGE PITTS, PROPS.
- 84. BUDWEISER ON TAP (EAGLE IN A) DEL & LORETTA'S TAVERN (DE & FOXY KROTZ) ST. JACOB, ILLINOIS 644-5764
- 85. BUSCH BAVARIAN BEER N.H. SCHEPPERS DIST. CO. JEFFERSON CITY-COLUMBIA
- 86. YOUR GENESEE BEER DISTRIBUTOR COMPLIMENTS OF L.P. BRADY DISTRIBUTORS, INC. LEROY, N.Y.-DIAL 967-6520 (GENESEE BEER IN LOGO)
- 87. HAMM'S AND GRAIN BELT ON TAP DAVE'S CAFE DAVE AND KATHRYN HENNESSY PRINCETON, MINN. HIWAY 169 KOUNTRY KITCHEN KOOKIN'
- 88. HEILEMAN'S OLD STYLE (IN SHIELD) OLD STYLE SPECIAL EXPORT CARLING (IN RING) BLACK LABEL BEER RED CAP ALE ENGLAND DISTRIBUTING CO. RED OAK, IOWA
- 89. PABST BLUE RIBBON, BLATZ, CHAMPAGNE VELVET JIM'S DISTRIBUTING CO. PH. LU.3-2626 UNION, MO.
- 90. SCHLITZ ON TAP ED'S TAVERN 5173 COLOGNE
- 91. STAG BEER (IN LOGO) MILLER HIGH LIFE (IN LOGO) STAG SALES INC. WASHINGTON, MO. ST. JOHNS DIST. CO., INC. 11745 LACKLAND ROAD-HE 2-4411 & HE 2-4412

- 1. MICHELOB MICHELOB 100TH ANNIVERSARY 100 1896-1996 / SAME
- 2. HAND BREWED BY SHIPYARD BREWING COMPANY PORTLAND, ME EXPORT ALE / SAME
- 3. ROCK BOTTOM RESTAURANT BREWERY / SAME

M-107

CAP LIFTER/CAN PIERCER/PLASTIC HANDLE
(SEE M-40 & M-96)

6 1/8"

BEN HOFFMAN

1997 (1)

- 11. 1863 MELLOW STERLING BEER 1963 (97,158)

M-43

- 28. BUD LIGHT BEER / SAME
- 29. MICHELOB LIGHT SUPERIOR TASTE IN A LIGHT BEER (EAGLE IN A) / SAME

M-54

- 9. BLIND PIG BREWING CO. / SWIG A PIG

M-64

- 4. PABST BLUE RIBBON (LOGO)

M-65

- 3. FALSTAFF BEER SILVA DISTRIBUTING CO. KREBS, OKLA.

M-73

- 14. PINNEY BEVERAGE COMPANY 533 SOUTH FOURTH WEST STREET SALT LAKE CITY, UTAH / DRINK BECKER'S BEST BEER / DRINK BUDWEISER (RED)

M-81

- 5. MILLER HIGH LIFE AMERICA'S QUALITY BEER SINCE 1855 / SAME

- 1. NARRAGANSETT LAGER BEER

M-108

WIRE CAP LIFTER WITH 3 FRETS/PLASTIC HANDLE
5 3/4"

CARL REES/MARK BARREN

1997 (1-2)

- 1. OLD STYLE LAGER AND KINGSBURY BEERS MILNOR "HOMER" HOMSTAD VIROQUA, WIS.
- 2. SCHLITZ :: BALLANTINE TOM CONTI, INC. 50 MARKET ST.-485-1940 IROQUOIS :: KOEHLER

M-109

TWO CAP LIFTERS/CAN PIERCER/SERRATED EDGE/
SCREWDRIVER TIP/HOLE PUNCH (?)

WOOD HANDLE

MARKED "LYMAN DOUBLE PUNCH
LYMAN METAL PRODUCTS NORWALK, CONN."

7 1/8"

JOHN HALL

1997 (1)

- 1. SCHAEFER'S AI6-0700 HI6-0700 ON4-0700 OR3-5711

N-1

- 2. WALTER'S PILSENER "BEER THAT IS BEER" EAU CLAIRE, WIS.

N-8

- 3. BEVO-SODA WATER JOE H. KLEIN BOTTLING WORKS (ANHEUSER-BUSCH PROHIBITION DRINK)

N-9

- 34. THE BREWER AND MALTSTER BREWING INDUSTRY'S LEADING JOURNAL FOR 54 CONSECUTIVE YEARS CHICAGO
- 35. HUSTINGS BEVERAGES LIQUORS-BEER-ALE

N-11 CORRECTIONS

- 12. CLIMAX BEVERAGES (PRODUCED BY HOME BREWING CO. RICHMOND, VA.) (DELETE RELISTED AS N-9-32)
- 13. CLIMAX PALE DRY GINGER ALE (PRODUCED BY HOME BREWING CO. RICHMOND, VA.) (DELETE RELISTED AS N-9-33)
- 6. COMPLIMENTS OF WATERLOO BOTTLING CO. DISTRIBUTOR OF "HAM'S WINDSOR CLUB" (HAMM'S MIS-SPELLED) (97,1)

N-22

MARKED "AMERICAN PENCIL CO. NEW YORK PAT.PEND. U.S.A. KAPOFF OPENUP"

N-24

- 10. DRINK BLUE RIBBON BEER (BLADE MARKED LINDER & CO / MORNINGSTAR)

N-29

- 14. DRINK BUDWEISER KING OF BOTTLED BEER DISTRIBUTED BY STARR BROTHERS CARL MCPHERSON SALESMAN
- 15. STORZ DISTRIBUTORS F&M SALES CO. THANKS-YOU HAVE MADE STORZ NEBRASKA'S LEADING BEER

N-30

- 9. GRITTY'S MAINE'S ORIGINAL BREW PUB (PIC OF BEER VAT) (WHITE ON GREEN)
- 10. MIDDLE (CASTLE TURRET) AGES BREWING COMPANY LTD. (GOLD ON WHITE)

N-35

- 11. GOETZ COUNTRY CLUB BEER / COUNTRY CLUB DIST. CO. PHONE 2-8191 TULSA, OKLA.

N-38

- 6. SCHLITZ-FORT PITT ALE BEER PHONE 2-8241 / SMITH DISTRIBUTING CO. CHARLESTON, W.VA.

N-40

- 29. BUDWEISER KING OF BEERS THE WORLD RENOWNED BUDWEISER LAGER BEER (EAGLE IN A) (EAGLE IN A) (OPENER IN CENTER)
- 30. LONE STAR BEER LONE STAR (CERTIFIED PREMIUM QUALITY BREWED WITH PURE ARTESIAN WATER) (CERTIFIED PREMIUM QUALITY BREWED WITH PURE ARTESIAN WATER) (OPENER IN CENTER)

N-67

- 2. DISTRIBUTOR OF HYDE PARK AND STAG BEER ROBERT C. FISCHER AND SON ST. CHARLES, MO. PHONE 2100 OR 194

N-85

OPENER/SINGLE BLADE KNIFE/BOOT SHAPED METAL HANDLES (SEE N-5 & N-82)

MARKED "KUTMASTER UTICA, N.Y. MADE IN U.S.A."

3 1/4"

JOHN STANLEY

1997 (1)

- 1. WEST END BRG. CO. UTICA, N.Y. / UTICA CLUB BEER-ALE

N-86

SWING-OUT OPENER IN ROUND CASE

(SEE N-45)

MARKED "GREENDUCK CO. CHICAGO PAT.PEND."

1 5/8"

BILL PATTIE

1997 (1)

- 1. NEVIN-FRANK CO. BUTTE, MONTANA / MONTANA DRY MONTANA'S POPULAR GINGER ALE (BOUGHT CENTENNIAL BREWING CO)

N-87

CAP LIFTER BLADE/SINGLE BLADE KNIFE

(SEE N-44)

MARKED "D PERES SOLINGEN GERMANY"

3 3/8"

VERNE VOLLRATH

1997 (1)

- 1. COMPLIMENT OF ---STAR BREWERY / SAME

O-4

- 32. FALSTAFF BEER

- 33. THE MIAMI VALLEY BREWING CO. DAYTON, OHIO FOR GOODNESS SAKE DRINK "NICK THOMAS" BEER
- 34. MINERAL SPRINGS BREWING CO. DRINK MINERAL SPRING BEER

O-4 CORRECTIONS

- 2. ENJOY ACME BEER (97,587)

O-5

- 38. ROLLING ROCK

O-5 CORRECTIONS

- 14. SIMON PURE BEER-ALE (97,339)

O-8

- 15. BARTELS WITH REPUTATION OLD THERE IS NONE BETTER KINGSTON, PA.
- 16. STERLING BREWERS INC. EVANSVILLE, IND.

P-2

- 7. COMPLIMENTS OF PABST BREWING CO. MILWAUKEE

P-4 CORRECTIONS

- 1. SEQUOIA BEER PHONE 37391 (97,261)

P-7

- 48. FENWAY ALE LAGER THE BEER WITHOUT A SUBSTITUTE OLD STONE WHISKEY GREEN RIVER RYE

- 49. FINK BREWING CO. HARRISBURG, U.S.A.
- 50. SCHLITZ DISTRIBUTOR WRITE FOR PRICES PHIL G. KELLY CO. INC. RICHMOND, VA. "KELLY QUALITY" (FACTORY SCENE)

P-8

- 199. AURORA BREWING CO. AURORA, ILL. (A B CO TRADE MARK) / SAME

- 200. CHATTANOOGA BREWING CO., IMPERIAL PILSENER, THE BEST. / SAME

P-8 CORRECTIONS

- 92. THE FINLAY BREWING CO. TOLEDO, O. / SAME (97,158)

- 115. OMAHA BREWING ASSOCIATION / SAME (97,583)

P-9

- 25. BAY CITY BREWING CO. "THE FINEST" / EXPORT
- 26. ROCK ISLAND BREWING CO. / R.I.B. COMPANY
- 27. THE VIRGINIA BREWING COMPANY / (WINGED LOGO)

P-9 CORRECTIONS

- 14. GIPPS BREWING CO. PEORIA, ILL. / STANDARD BEER (ADD '/') (97,181)

P-10

- 73. MILWAUKEE WAUKESHA BREWING CO. / SAME

P-10 CORRECTIONS

- 38. MAIER BREWING CO. LOS ANGELES, CAL. BOTH PHONES EXCH 91 / "SELECT BEER" (ADD '/') (94,158) (97,587)

- 28. SEATTLE BREWING & MALTING CO. (IN CIRCLE) RAINIER BEER (PICTURE OF MT. RAINIER 14,442 FT.) / RAINIER BEER (97,587)

P-17

- 13. QUANDT BREWING CO'S / BOHEMIAN EXPORT

P-19

- 68. ARNOLD & CO., OGDENSBURG, N.Y. "INDIA PALE, SPARKLING ALE, .AND.. ELEPHANT HEAD,
- 69. UNION BREWING CO. OF ANAHEIM, CAL.

P-22 CORRECTIONS

- 3. MOERLEIN / CINCINNATI U.S.A. (ADD '/') (97,158)

P-44 CORRECTIONS

- 1. BARTHOLOMAY ROCHESTER BARTHOLOMAY ROCHESTER (97,339)

P-51 CORRECTIONS

- 19. ROCHESTER BREWERY / KANSAS CITY, MO. (ADD '/') (97,587)

- 20. PREPARED IN THE (ON TOP OF HANDLE) / THE PETER SCHOENHOFEN BREWING CO. MALT TONIC DEPT. CHICAGO. / EDELMALT TONIC MAKES FLESH AND BLOOD (ADD '/') (95,1) (ADD TOP WRITING & 'TONIC') (97,158)

- 8. HENRY WEINHARD BREWERY PORTLAND, OREGON FINE TABLE BEERS / SAME (97,587)

P-53

- 7. DUQUESNE PILSNER SILVER TOP LAGER CHAS. THOMAS AND SONS BEER DISTRIBUTORS TELEPHONE 47-021

P-53

- 8. HOME OF TROMMERS BEER & DREWRY'S ALE SOUTH
ERIE BEER CO. 31ST & CHERRY ST. PH. 97-
110 HOME DELIVERIES

P-54

- 22. DUQUESNE BEER & LARGE WHISKEY A SPECIALTY
EDWARD N. DITTMER SALOON AND RESTAURANT
26 WARRINGTON AVENUE PITTSBURGH, PA.
- 23. DEMAND EAGLE MALT SYRUP "IT'S BETTER" EAGLE
MALT EXTRACT CO., MEMPHIS, TENN.
- 24. MANUFACTURED BY HOLLAND CITY BREWERY, CALL
FOR HOLLAND BEER.
- 25. THE ONE THING FINISHED IN THIS NASTY WORLD IS
P.B. ALE
- 26. SCHILLERS' PILSENER BEER CASK 72 QUARTS OR
120 PTS. \$7.90 SUNNY TIMES WHISKEY 4
QUARTS RED LABEL \$3.58 EXPRESS PAID
SCHILLER BROS KANSAS CITY, MO.
- 27. SCHLITZ BEER AND BANKERS RYE THAT RICH
WHISKEY BOTH DISTRIBUTED BY THE PHIL G.
KELLY CO., INC. RICHMOND, VA.
- 28. SUNSHINE BEER, IT'S THE BEST, WILHELM
SCHIMMINGER & RAMSEY, ALTOONA.

P-55

- 6. BLATZ MILWAUKEE (ON TOP) / EXPORT BEER /
EXPORT BEER (STAMPING ON THREE SIDES)

P-57

- 22. ANHEUSER-BUSCH BREWING ASS'N, ST. LOUIS.
U.S.A. / (EAGLE IN A)
- 23. COMPLIMENTS OF GREENWAY BREWING CO. SYRACUSE,
N.Y. / SAME

P-60 CORRECTIONS

- 1. PABST BEER AURORA, ILL. WHOLESALE DEALER IN
(REST ILLEGIBLE) (97,181)

P-66

- 9. BLATZ ON TAP / BILLY'S INN 495 MILWAUKEE AVE

P-71

- 2. BUDWEISER / MOSS ROSE (STANHOPE WITH FACTORY
SCENE "C.CONRAD & CO. 411 TO 419 NORTH
SIXTH STREET ADOPTED CC&CO 1876 TRADE
MARK ORIGINAL BUDWEISER REGISTERED CC&CO
1877 TRADE MARK")

P-71 CORRECTIONS

- 1. BUDWEISER / C.C. & CO. MOSS ROSE (97,1)

P-76

- 2. BERGNER & ENGEL, PHILA.

P-76 CORRECTIONS

- 1. SCHLITZ BREW'G CO. ST. PAUL (97,339)

P-88

- 4. YONKERS BREWERY

P-90

- 4. DULUTH BREWING & MALTING CO. DULUTH, MINN. /
SAME
- 5. A. HUPFEL'S SON'S BREWERY NEW YORK U.S.A. /
"CERVEZA BOHEMIAN"

P-108

SLIDING & LOCKING CORKSCREW/SINGLE BLADE KNIFE/
COMBO CAP LIFTER WIRE BREAKER BLADE
BRASS OR STEEL HANDLES

- 1. C. PFEIFFER BREWG. CO. / LINGUTER TRUNK MACHT
ALTE JUNG! (A GOOD DRINK MAKES OLD
PERSONS YOUNG) (97,1)

P-125

CORKSCREW/CAP LIFTER BLADE/CIGAR CUTTER/
DOUBLE BLADE KNIFE
PLAIN METAL HANDLES
(SEE P-29, P-48, P-96 & P-101)
EACH BLADE MARKED "A.W. WADSWORTH & SONS N.Y."
NORM JAY

1997 (1)

- 1. IROQUOIS BREWING CO. BUFFALO-N.Y.

P-126

T-HANDLE METAL CORKSCREW

OLLIE HIBBELER

1997 (1)

- 1. BERBIGLIA

P-127

WOOD HANDLE CORKSCREW/SIX TURNED RINGS ON HANDLE
TWISTED WIRE CORKSCREW (DOUBLE HELIX)
(NO BELL OR STOPPER BUTTON)
(HANDLE WIDER AND THINNER THAN P-61)
(SEE P-61 & P-90)
JOE YOUNG

1997 (1)

- 1. ANHEUSER-BUSCH / SAME

P-128

CAP LIFTER/FOLDING KNIFE/CORKSCREW

(TYPE WAS B-61)

2 7/8"

BILL ENNIS

1988 (1)

- 1. HEMRICH CORONET / HAPPY PEPPY BEER (BRASS
HANDLES)

P-129

CORKSCREW/CAP LIFTER BLADE & SCREWDRIVER TIP/
SINGLE BLADE KNIFE
CELLULOID HANDLES

BLADE MARKED "UTICA CUTLERY CO. UTICA, N.Y."

NORM JAY

1997 (1)

- 1. INDEPENDENT MILWAUKEE BREWERY MILWAUKEE,
WIS. / BILLS BRAUMEISTER DEUTSCHER CLUB
DE LUXE WHITE SODA

P-130

CORKSCREW/CAP LIFTER BLADE/LEVERAGE HOOK

OPENER AND BODY FLOW IN ONE PIECE

CALLED "WAITERS' TOOLS"

MARKED "AUL A. ENKELS SOLINGEN / GERMANY"

(SEE P-20, 21, 27, 28, 49, 92, 112, 122)

JOHN HORN

1997 (1)

- 1. BUFFALO CO-OPERATIVE BREWING CO. BUFFALO,
N.Y.

P-131

PLASTIC HANDLE (LIKE M-85) CORKSCREW

CAP LIFTER BELL (LIKE P-10)

ART SANTEN

1997 (1)

- 1. (EAGLE IN A)

P-132

WOOD HANDLE CORKSCREW

HANDLE IS FLAT BOTH SIDES (SEE P-24 & P-43)

CAST BELL

CAST IRON WIRE BREAKER & CAP LIFTER ABOVE BELL

(LIKE P-51)

MADE BY WILLIAMSON

JOHN STANLEY

1997 (1)

- 1. GERMANIA (??? ILLEGIBLE) BREWING CO.
CHARLESTON, S.C. / HIGH GRADE BEERS

P-133

DOUBLE RING WIRE HANDLE CORKSCREW/
CAP LIFTER/ICE PICK

CORKSCREW IN WOODEN HANDLE (SEE P-33)

(CLOUGH PATENT)

CAP LIFTER MARKED "PAT. PEND."

MADE BY IRA F. WHITE & SON CO.-BLOOMFIELD, N.J.

BEN HOFFMAN

1997 (1)

- 1. TO OPEN THE CUMBERLAND BREWING CO'S OLD
EXPORT BEER TELEPHONES NOS. 871-872 TO
CHIP THE CUMBERLAND BREWING CO'S ICE.

- Q-6
8. OLD MILWAUKEE BEER (WHITE ON RED)
- Q-8
39. SCHLITZ (IN LOGO)
- Q-9
4. BUD KING OF BEERS
5. HENRY F. ORTLIEB BREW. CO. PHILA. PA.
ORTLIEB'S PHILADELPHIA'S FAMOUS BEER
SINCE 1869 (RED)
- Q-10
26. ORIGINAL COORS (PURPLE ON WHITE)
27. MASTERS III FINE AMERICAN BEER (PIC OF 3 MEN)
(BLUE ON WHITE)
28. MILLER HIGH LIFE BEER WELCOME TO MILLER TIME
(RED ON WHITE)
- Q-10 CORRECTIONS
9. BRING OUT YOUR BEST BUD LIGHT BEER (BLUE ON
WHITE) (97,158)
- Q-11
14. WASATCH BEERS PARK CITY, UT WASATCH BEERS (IN
LOGO)
- Q-12
38. COORS (PIC OF MOUNTAINS) COORS (WHITE ON RED)
39. RED D(BULL DOG FACE)G RED D(BULL DOG FACE)G
(BLACK ON RED)
40. SHARP'S SHARP'S (WHITE ON RED)
- Q-18
81. ATLANTIC BREWING CO. BAR HARBOR, MAINE (WHITE
ON BLACK)
82. BRECKENRIDGE BREWERY (BLACK ON BLUE)
83. BRECKENRIDGE BREWERY (BLACK ON MAROON)
84. BRECKENRIDGE BREWERY (BLACK ON PURPLE)
85. HOPPERS BREWPUB ERIE, PA. (BLACK ON WHITE)
86. LANCASTER MALT BREWING CO. 717-391-MALT
87. LITTLE KINGS CREAM ALE (HUDEPOHL-SCHOENLING)
88. LONG VALLEY PUB AND BREWERY 908-876-5252
89. MATT'S (UTICA,NY MICRO)
90. EDDIE MC STIFF'S MOAB, UTAH (MICRO) (WHITE ON
RED)
91. MICHELOB THE AMERICAN CLASSIC (GOLD ON RED)
92. MICKEYS (WHITE ON GREEN)
93. MILL CITY (IN LOGO) ALES & LAGERS (BLACK ON
YELLOW & GREEN)
94. MORECHAMP LAGER BEER (BLACK ON WHITE)
95. PETE'S WICKED LAGER (WHITE ON GREEN)
96. SARANAC (YELLOW ON BLUE)
97. THE SLY FOX MICROBREWERY BREWHOUSE & EATERY
(PIC OF FOX & BEER MUG) (RED ON YELLOW)
98. SPANISH PEAKS BREWING COMPANY BOZEMAN,
MONTANA BLACK DOG ALE (PIC OF DOG) (BLACK
ON GREEN)
99. SPANISH PEAKS BREWING COMPANY BOZEMAN,
MONTANA BLACK DOG ALE (PIC OF DOG) (BLACK
ON GREY)
100. SPANISH PEAKS BREWING COMPANY BOZEMAN,
MONTANA BLACK DOG ALE (PIC OF DOG) (BLACK
ON PURPLE)
101. SPANISH PEAKS BREWING COMPANY BOZEMAN,
MONTANA BLACK DOG ALE (PIC OF DOG) (BLACK
ON RED)
102. SPANISH PEAKS BREWING COMPANY BOZEMAN,
MONTANA BLACK DOG ALE (PIC OF DOG) (BLACK
ON WHITE)
103. SPANISH PEAKS BREWING COMPANY BOZEMAN,
MONTANA NO WHINERS (PIC OF DOG) (BLACK ON
BLUE)
104. SPANISH PEAKS BREWING COMPANY BOZEMAN,
MONTANA NO WHINERS (PIC OF DOG) (BLACK ON
ORANGE)
105. SPANISH PEAKS BREWING COMPANY BOZEMAN,
MONTANA NO WHINERS (PIC OF DOG) (BLACK ON
PURPLE)
106. SPANISH PEAKS BREWING COMPANY BOZEMAN,
MONTANA NO WHINERS (PIC OF DOG) (BLACK ON
RED)
107. SPANISH PEAKS BREWING COMPANY BOZEMAN,
MONTANA NO WHINERS (PIC OF DOG) (BLACK ON
WHITE)
108. SPANISH PEAKS BREWING COMPANY BOZEMAN,
MONTANA NO WHINERS (PIC OF DOG) (BLACK ON
YELLOW)
109. STOUTD'S REAL BEER (BLUE ON WHITE)
110. WOODSTOCK BREWING & BOTTLING (W B & B LOGO)
(BLACK ON WHITE)
111. YBOR GOLD (GOLD ON BLACK)
- Q-24
5. DOWNTOWN BROWN ALE KOBOR WHITE MEDIUMBREWED
(BLACK ON WHITE)
- Q-27
3. LITE BEER (BLACK ON YELLOW)
4. LITE BEER (WHITE ON BLACK)
5. LITE ICE (BLACK ON LIME)
6. LITE ICE (BLACK ON PINK)
7. LITE ICE (BLACK ON WHITE)
8. LITE ICE (WHITE ON BLUE)
9. MILLER GENUINE DRAFT (BLACK ON LIME)
10. MILLER GENUINE DRAFT (BLACK ON PINK)
11. MILLER GENUINE DRAFT (BLACK ON WHITE)
12. MILLER GENUINE DRAFT (BLACK ON YELLOW)
13. MILLER GENUINE DRAFT (RED ON BLACK)
14. MILLER GENUINE DRAFT (WHITE ON BLACK)
- Q-30
3. MILLSTREAM BREWING CO. AMANA, IA (RED ON
WHITE)
- Q-31
39. BARLEY BOYS BREWERY (BLACK ON RED) (OMAHA,NE)
40. BUD BOWL 7 (7 IN FOOTBALL) (BLACK ON BROWN)
41. BUD BOWL 8 (PIC OF FOOTBALL) (BLACK ON BROWN)
42. BUD KING OF BEERS (PIC OF FOOTBALL) (WHITE ON
RED)
43. DUSTER'S MICRO-BREWERY 114 N. MAIN ST.
LAWTON, MI 49065 (616) 624-3771
44. GENESEE BEER & ALE (IN LOGO) (RED & BLUE ON
WHITE)
45. HENRY'S PRIVATE RESERVE (BLUE ON WHITE)
46. HURRICANE MALT LIQUOR (BLACK ON WHITE)
47. GEORGE KILLIAN'S IRISH RED (PIC OF HORSE
HEAD) GEORGE KILLIAN'S IRISH RED (PIC OF
HORSE HEAD) (ORANGE ON WHITE)
48. GEORGE KILLIAN'S IRISH RED (PIC OF HORSE
HEAD) GEORGE KILLIAN'S IRISH RED (PIC OF
HORSE HEAD) (RED ON WHITE)
49. MICHELOB AMBER BOCK (WHITE & GOLD ON BLACK)
50. MILLER BREWING COMPANY REMINDS YOU TO PLEASE
THINK WHEN YOU DRINK / MILLER BEER SINCE
1965 (EAGLE LOGO) (BLUE & GOLD & RED ON
WHITE)
51. MILLER BREWING COMPANY REMINDS YOU TO PLEASE
THINK WHEN YOU DRINK / MILLER GENUINE
DRAFT (PIC OF FOOTBALL) (WHITE ON BROWN)
52. MILLER GENUINE DRAFT (PIC OF MAN ON
SURFBOARD) (BLACK & GREEN & ORANGE &
YELLOW)
53. MILLER GENUINE DRAFT (PIC OF PALM TREE ON
BEACH) (BLACK ON BLUE & BLUE)
54. OLD STYLE BEER GO PACKERS (PIC OF FOOTBALL)
(GREEN ON YELLOW)
55. SARANAC BLACK & TAN (BLACK ON RED)
- Q-31 CORRECTIONS
3. BUD LIGHT BEER (WHITE ON BROWN) (97,158)
27. OLD STYLE BEER GO BADGERS (PIC OF FOOTBALL)
(WHITE ON RED) (97,158)
- Q-32
32. COMPANY B'S MICRO BREWED SPECIALTY BEER
(BREWERY BOYS LOGO) 914 365-6060 REST AND
PUB ORANGEBURG, NY (BROWN & GREEN ON
WHITE)
33. COORS LIGHT THE SILVER BULLET (PIC OF
BASKETBALL) (BLACK ON ORANGE)
34. DOWNTOWN BROWN ALE KOBOR WHITE MEDIUMBREWED
(WHITE ON BROWN)
35. JOHNSON BEER COMPANY (GOLD ON WHITE)
36. GEORGE KILLIAN'S WILDE HONEY ALE (PIC OF
HORSE HEAD) (BLACK ON YELLOW)

Q-32

- 37. LITE BEER (PIC OF BOWLING BALL AND 4 PINS) / MILLER BREWING COMPANY REMINDS YOU TO PLEASE: THINK WHEN YOU DRINK (GREY ON BLACK)
- 38. MILLER GENUINE DRAFT (PIC OF GOLF BALL AND 2 GOLF CLUBS) (BLACK ON WHITE)
- 39. MILLER HIGH LIFE (PIC OF BASKETBALL) (BLACK ON ORANGE)
- 40. NOR'WESTER (IN LOGO) HEFE WEIZEN (GOLD ON BLACK) (WILLAMETTE VALLEY BREWING CO PORTLAND, OR)
- 41. UNION STATION BREWERY USB (BLACK ON ORANGE)

Q-34

- 3. LONE STAR BEER (STAR LOGO) (WHITE ON RED)

Q-36

- 22. BUD ICE (SILVER ON BLUE)
- 23. BUDWEISER COLD FILTERED ICE DRAFT LIGHT (LIGHT BLUE ON BLUE)
- 24. CARLSBERG (BLACK ON GREEN)
- 25. COORS ORIGINAL (WHITE ON BLUE)
- 26. ELM CITY CONNECTICUT'S FINEST ALES (BLUE ON WHITE)
- 27. MILL CITY (IN LOGO) ALES & LAGERS (BLACK ON RED)
- 28. NANTUCKET ISLAND AMBER (RED & BLUE ON WHITE)
- 29. STONE COAST BREWING CO. (PIC OF LIGHTHOUSE) PORTLAND, MAINE (207) 773-BEER (GREY ON BLACK)
- 30. 12 HORSE (GENESEE) (RED & GREEN ON WHITE)

Q-46

2 3/8"

- 2. COORS LIGHT / SAME (WHITE ON BLUE)
- 3. COORS ORIGINAL (MOUNTAIN SCENE) / SAME (BLUE ON WHITE)
- 4. LITE BEER (BLUE ON WHITE)
- 5. MILLER BREWING COMPANY REMINDS YOU TO PLEASE THINK WHEN YOU DRINK / LITE BEER (BLUE ON WHITE)
- 6. PITTSBURGH BREWING CO. IT'S A 'BURGH THING (RED ON WHITE)

Q-50

TAB LIFTER

3"

CARL REES/DON WHELAN

1997 (1-2)

- 1. BUD LIGHT BEER (BLUE & RED ON WHITE)
- 2. BUDWEISER KING OF BEERS (WHITE ON BLACK)

Q-51

TWIST OFF CAP REMOVER

2 5/8"

OLLIE HIBBELER

1997 (1)

- 1. LITE BEER / SAME (SUPER BOWL NUMBER AND SCORE RESULTS FOR EACH SUPER BOWL) (WHITE ON BLUE)

T-1 CORRECTIONS

- 1. ANHEUSER BUSCH (EAGLE IN A) NATURAL LIGHT BEER / SAME (97,158)

X-8

CAP LIFTER/ENAMELLED BRASS

2 7/8"

NORM JAY/BOB STAHLY

1997 (1)

- 1. JUST FOR OPENERS 18TH ANNUAL CONVENTION CHICAGO, ILL APRIL 1996 DRINK CARDINAL BEER (JFO PIN LOGO) (RED & BLACK)

A SINCERE THANK YOU TO THE FOLLOWING DEVOTED COLLECTORS WHO TOOK THE TIME TO SEND THEIR NEW ADDITIONS (UL'S) TO ME TO MAKE THIS LIST POSSIBLE. IT IS GREATLY APPRECIATED BY ALL OF US.

MEMBER NAME & NUMBER (# LISTED)

- KURT BACHMANN 415 (2)
- MARK BARREN 406 (7)
- JOHN BEAUCHAMP 747 (1)
- RON BEHNKEN 585 (1)
- LARRY BIEHL 202 (8)
- FRED BOLTON 478 (1)
- WILLIAM BRUNNER 502 (1)
- DON BULL 1 (6)
- JOEL CALLIES 720 (2)
- JOE CARDONE 4 (1)
- JOHN CARTWRIGHT 587 (8)
- DICK CLARK 733 (9)
- HERB DANZIER 246 (1)
- BILL ENNIS 250 (1)
- JACK FORD 8 (1)
- PAUL GAUVIN 333 (1)
- GEORGE GENTLE 534 (2)
- TOM GORMALLY 605 (6)
- JANET GOSS 724 (1)
- ELDON GREGG 348 (1)
- KEITH HALVERSON 625 (1)
- OLLIE HIBBELER 149 (2)
- BEN HOFFMAN 261 (13)
- HARRY HORN 476 (1)
- JOHN HORN 211 (7)
- LARRY JAEHNERT 306 (1)
- ROGER JARRELL 538 (2)
- NORMAN JAY 181 (18)
- ART JOHNSON 213 (13)
- VIC KEOWN 321 (11)
- TONY KOST 721 (2)
- DICK LANGE 494 (1)
- BILL LARAWAY 271 (1)
- GEORGE MAYER 796 (1)
- BOB MCNARY 712 (1)
- HALE MILANO 655 (3)
- DARWIN MILLER 668 (2)
- LARRY MOTER 450 (13)
- JIM OSBORN 126 (5)
- BILL PATTIE 486 (1)
- JOHN PATTON 776 (1)
- HAROLD QUEEN 572 (32)
- CARL REES 358 (11)
- ART SANTEN 158 (83)
- JERRY SCHELE 16 (1)
- DON SHERMAN 18 (25)
- SCOTT SHERMAN 757 (1)
- HENRY SMITH 410 (2)
- JOHN STANLEY 339 (26)
- TOM STEINKE 667 (1)
- STAN SUMMERS 375 (8)
- LOU SUTTON 661 (1)
- RALPH TEWKSBURY 515 (2)
- BUD VANDEMARK 785 (1)
- VERNE VOLLRATH 162 (18)
- HARRIET WALDO 228 (3)
- DEAN WALTERS 693 (1)
- JACK WESTALL 728 (1)
- DON WHELAN 583 (38)
- SCOTT WILLIAMS 365 (1)
- BARNEY WITULSKI 676 (1)
- JOE YOUNG 314 (1)

See You In Buffalo, NY in 1997

	Want List	
A-000-000	DAD'S ROOT BEER	Jim Maxwell
A-000-000	HIRES ROOT BEER	Jim Maxwell
A-000-000	TRU-TREAT SODA	Jim Maxwell
A-001-009	GOLDEN GLOW	John Cartwright
A-001-011	GUTSCH	John Stanley
A-001-024	GRAFS	John Cartwright
A-001-029	A-1	John Cartwright
A-001-036	FURNITURE CITY	John Stanley
A-001-039	SANTA CRUZ	John Cartwright
A-001-058	B-1	John Cartwright
A-001-074	EXCELSIOR	John Cartwright
A-001-076	GETTELMAN	John Stanley
A-003-002	BRUMALT (KC)	Jim Maxwell
A-003-005	BRUMALT (KC)	Jim Maxwell
A-003-023	BRUMALT (KC)	Jim Maxwell
A-004-010	STAR	John Stanley
A-004-014	GOLDEN RIBBON	John Cartwright
A-004-020	UTICA CLUB	Mark Barren
A-004-023	HAVRE	Bill Pattie
A-004-025	DONORA	John Stanley
A-004-031	SOUTH FORK	John Stanley
A-004-032	BRUMALT (KC)	Jim Maxwell
A-004-038	FINK	John Stanley
A-004-046	YAKIMA	John Cartwright
A-005-004	HIGHLANDER	John Cartwright
A-005-004	HIGHLANDER	Bill Pattie
A-005-025	EASTSIDE	John Cartwright
A-005-028	MILWAUKEE	John Cartwright
A-005-054	GREAT FALLS	John Cartwright
A-007-001	BUFFALO	John Cartwright
A-007-007	WEIBEL	Paul Gauvin
A-007-020	BUTTE BOTTLERS	Bill Pattie
A-009-008	EUREKA	Ed Kaye
A-009-008	EUREKA	John Stanley
A-009-015	EXCELSIOR	John Cartwright
A-009-019	EASTSIDE	John Cartwright
A-009-021	AMBER BEER	Ed Kaye
A-009-024	RICHTER	John Cartwright
A-009-026	PENN MALT	Ed Kaye
A-009-029	WALDORF SUP	Ed Kaye
A-009-030	BETHLEHEM M	Ed Kaye
A-009-037	BUTTE BOTTLER	Ed Kaye
A-009-038	EAGLE	Ed Kaye
A-009-038	EAGLE	John Stanley
A-010-001	MUEHLEBACH (KC)	Jim Maxwell
A-011-001	WOODEN SHOE	John Stanley
A-012-007	ACME	John Cartwright
A-012-008	ACME	John Cartwright
A-012-009	TIVOLI	John Cartwright
A-012-011	EASTSIDE	John Cartwright
A-012-012	GRACE BROS	John Cartwright
A-012-013	BOHEMIAN	John Cartwright
A-012-021	EASTSIDE	John Cartwright
A-013-003	GAMBRINUS	John Stanley
A-013-006	LEMP	Jim Maxwell
A-013-008	ZININNATI	John Stanley
A-013-009	GOLD TOP	John Stanley
A-013-012	BUFFALO	John Cartwright
A-013-014	LEMP	Jim Maxwell
A-013-018	GAMBLE	Mark Barren
A-013-020	HOSTER	John Stanley
A-013-022	VIRGINIA	John Stanley
A-014-002	SCHMIDT	John Stanley
A-015-007	EXCELSIOR	John Cartwright
A-015-016	FORTUNE (GEM)	John Stanley
A-015-017	BUFFALO	John Stanley
A-015-028	GETTELMAN	John Cartwright
A-015-030	SOUTH FORK	John Stanley
A-015-035	CROWN	John Stanley
A-015-036	INTERSTATE	John Stanley
A-015-039	LEXINGTON	John Stanley
A-015-040	MENOMINEE	John Stanley
A-015-046	WAVERLY	John Stanley
A-015-053	LEICHT	Mark Barren

A-016-001	BLAKESLEE	Paul Gauvin
A-016-003	RAHR	John Stanley
A-016-007	EASTSIDE	John Cartwright
A-016-009	GOETZ MOOSE	John Stanley
A-016-013	WOLF	John Stanley
A-017-015	GOLD NUGGET	John Cartwright
A-017-016	GENEVA	Mark Barren
A-017-022	LEMP	Jim Maxwell
A-017-028	BOZEMAN	Bill Pattie
A-017-029	FRESNO	John Cartwright
A-017-033	BARMANN	Mark Barren
A-017-UL	ASSOCIATED	John Stanley
A-018-002	BUFFALO	John Cartwright
A-018-003	STAR	John Stanley
A-018-004	BUFFALO	John Cartwright
A-018-009	PHOENIX	Mark Barren
A-018-011	BUFFALO	John Cartwright
A-018-014	MUNCH	John Stanley
A-018-015	GERMANIA	John Stanley
A-018-016	GOLD TOP	John Stanley
A-018-019	PHOENIX	Mark Barren
A-018-020	FISHER	John Cartwright
A-019-001	GOEBEL	John Stanley
A-019-003	GUTSCH	John Stanley
A-019	TYPE	Bob Stahly
A-020-002	GOEBEL	John Cartwright
A-020-004	HOSTER-COLUMBUS	John Stanley
A-020-009	WEHLE	Paul Gauvin
A-020-010	CREMO	Paul Gauvin
A-020-012	LAURER	Mark Barren
A-020-014	STANTON	Mark Barren
A-020-017	DEER PARK	Mark Barren
A-020-020	OLD HEIDELBERG	John Cartwright
A-020-033	MUNCH	John Stanley
A-020-035	SCHLITZ	Don Whelan
A-020-037	MUNCH	John Stanley
A-020-042	SCHLITZ	Don Whelan
A-020-046	RAINIER	John Cartwright
A-021-007	LEMP	Jim Maxwell
A-021-008	SCHLITZ	Don Whelan
A-021-020	CATARACT	Mark Barren
A-021-058	SCHLITZ	Don Whelan
A-021-074	HAMMS	Bill Pattie
A-021-079	SCHLITZ	Don Whelan
A-021-081	SCHLITZ	Don Whelan
A-021-084	HIGH LIFE	Bill Pattie
A-021-090	LEMP	Jim Maxwell
A-021-091	SCHLITZ	Don Whelan
A-021-091	KESSLER	Bill Pattie
A-021-093	PIELS	Mark Barren
A-022-001	BALLANTINE	John Stanley
A-022-002	CRESCENT	John Stanley
A-022	TYPE	Jack Ford
A-022	TYPE	Gary Deachman
A-022	TYPE	Bob Stahly
A-023-007	SCHLITZ	John Stanley
A-023-008	MILLER	John Stanley
A-024-001	DUQUESNE	John Stanley
A-025-006	KING	Mark Barren
A-026-002	ZETT	Mark Barren
A-026-004	DOELGER	John Stanley
A-026-005	LEXINGTON	John Stanley
A-027-001	DOELGER	Mark Barren
A-028-001	BUFFALO	John Cartwright
A-028-015	WEINHARDS	John Cartwright
A-028-029	WEINHARDS	John Cartwright
A-028-030	BUTTE BOTTLERS	Bill Pattie
A-028-036	WALLA WALLA	John Cartwright
A-029-004	MAIER	John Cartwright
A-029-015	SCHNEIDER	John Cartwright
A-029-020	GENERAL BRADDOCK	John Stanley
A-029-026	SUGAR LOAF	John Stanley
A-029-038	ZERBEY	John Stanley
A-029-052	INDEPENDENT	John Cartwright

A-029-058	SCHLITZ	Don Whelan
A-029-062	RAINIER	John Cartwright
A-030-003	LEINENKUGEL	John Stanley
A-030-005	ACE HIGH	John Cartwright
A-030-009	ANTHRACITE	John Stanley
A-030-011	RAINIER	John Stanley
A-030-014	RAHR	John Stanley
A-030-015	ANTHRACITE	John Stanley
A-033-002	FALLS CITY	John Stanley
A-033-003	RAINIER	John Cartwright
A-033-004	BECHAUD	John Stanley
A-033-005	HAMMS	Bill Pattie
A-033	TYPE	Bob Stahly
A-035-004	BUFFALO	John Cartwright
A-035-006	CAPITAL	John Cartwright
A-035-012	WIELAND	John Cartwright
A-035-013	GILT TOP	John Cartwright
A-035-018	WALLA WALLA	John Cartwright
A-035-024	HEIM (KC)	Jim Maxwell
A-035-033	FINK	John Stanley
A-035-UL	PEARL BEER	John Stanley
A-037-001	HAND	Bob Stahly
A-040-002	EXCELSIOR	John Cartwright
A-040-002	EXCELSIOR BEER	John Stanley
A-040	TYPE	Bob Stahly
A-042-001	BUFFALO	John Cartwright
A-042-001	BUFFALO	John Stanley
A-042-002	BUFFALO	John Stanley
A-042-008	DUBOIS	John Stanley
A-042-010	FISHER	John Cartwright
A-042-011	PEERLESS	John Stanley
A-042-013	SEITZ	John Stanley
A-042-018	BUFFALO	John Cartwright
A-042-019	GOLDEN GRAIN	John Cartwright
A-042-020	EASTSIDE	John Stanley
A-042-021	FISHER	John Cartwright
A-043-001	LEXINGTON	John Stanley
A-043-005	BOZEMAN	Bill Pattie
A-044-001	CREAM CITY	John Cartwright
A-044-004	GOLD NUGGET	John Cartwright
A-045-001	CITY CLUB	Bill Pattie
A-045-002	CENTENNIAL	Bill Pattie
A-046-001	RAHR	John Stanley
A-047-001	FRED KRUG	John Stanley
A-049-001	GILT TOP	John Cartwright
A-049-001	GILT TOP	John Stanley
A-051-001	BLUE RIBBON	Bob Stahly
A-051-001	BLUE RIBBON	John Stanley
A-055-001	APACHE	John Cartwright
A-059-001	PROVIDENCE	John Stanley
A-060-001	NARRAGANSETT	John Stanley
B-001-016	CT BREWERIES	Paul Gauvin
B-001-017	FURNITURE CITY	John Stanley
B-001-018	HOENADEL	John Stanley
B-001-028	RENO	John Cartwright
B-001-028	RENO	John Stanley
B-001-030	LIBERTY	John Stanley
B-001-032	R&H	Mark Barren
B-002-001	BLATZ	John Cartwright
B-002-002	EAGLE	Mark Barren
B-002-005	FRESNO	John Cartwright
B-002-008	MENOS	Bob Stahly
B-002-013	INDIAN HEAD	Bob Stahly
B-002-014	LONE STAR (A)	Bob Stahly
B-002-017	SOUTHERN SEL	Bob Stahly
B-002-019	RISING SUN	Bob Stahly
B-002-019	RISING SUN	John Stanley
B-002-020	ACME	Bob Stahly
B-002-020	ACME	John Cartwright
B-002-021	FRESNO (LOCAL)	Bob Stahly
B-002-021	FRESNO	John Cartwright
B-002-022	HAENLE	Bob Stahly
B-002-026	RAINIER	Bob Stahly
B-002-026	RAINIER	John Cartwright
B-002-029	GOLD NUGGET	Bob Stahly
B-002-029	GOLD	John Cartwright

B-002-029	GOLD NUGGET	John Stanley
B-002-031	F A HEIM	Bob Stahly
B-002-031	HEIM	John Cartwright
B-002-032	HORNUNG	Bob Stahly
B-002-034	RAINIER	John Cartwright
B-002-037	FLECKS	Bob Stahly
B-002-039	R I B	Bob Stahly
B-002-039	ROCK ISLAND	John Stanley
B-002-040	ANHEUSER	Bob Stahly
B-002-042	LONE STAR (S)	Bob Stahly
B-002-044	EASTSIDE	Bob Stahly
B-002-045	INTERBORO	Bob Stahly
B-002-045	INTERBORO	Mark Barren
B-003-003	RENO	John Cartwright
B-003-003	RENO	John Stanley
B-003-005	RAINIER	John Cartwright
B-003-006	AURORA	John Stanley
B-005-003	PALOUSE	John Cartwright
B-005-005	SPOKANE	John Cartwright
B-005-007	MATHIE	John Cartwright
B-005-008	ROYAL (KC)	Jim Maxwell
B-005-013	SIOUX FALLS	John Stanley
B-005-015	GAMBRINUS	John Cartwright
B-005-017	PARKERSBURG	John Stanley
B-005-026	REPUBLIC	John Cartwright
B-005-029	MONTANA	John Cartwright
B-005-029	MONTANA	Bill Pattie
B-006-003	PACIFIC	John Cartwright
B-006-003	PACIFIC	John Stanley
B-006-009	SPOKANE	John Cartwright
B-006-009	SPOKANE	John Stanley
B-006-011	KERN	John Stanley
B-006-012	SIOUX CITY	John Stanley
B-006-013	ABC (DENVER)	John Stanley
B-006-015	HAMM	John Stanley
B-006-016	LEISY	John Stanley
B-006-017	ABC (PUEBLO)	John Stanley
B-006-018	MATHIE	John Cartwright
B-006-019	ABC (FRISCO)	John Stanley
B-007-001	BARTHOLOMAY	John Stanley
B-007-001	BARTHOLOMAY	Mark Barren
B-007-003	HAUENSTEIN	John Stanley
B-007-004	HEURICH	John Stanley
B-007-006	STAR	John Stanley
B-007-008	MOOSE	John Stanley
B-007-009	POINTER	John Stanley
B-007-010	CAMBRIA	John Stanley
B-007-012	WEST VIRGINIA	John Stanley
B-007-013	JACOB SCHMIDT	John Stanley
B-007-014	WINDBER	John Stanley
B-007-015	B&O	John Stanley
B-007-017	RETTIG	John Stanley
B-007-018	ROCHESTER	John Stanley
B-007-019	BOHRER	John Stanley
B-007-020	CRESSON SPRINGS	John Stanley
B-007-021	GLUEK	John Stanley
B-007-022	ALTOONA	John Stanley
B-007-026	VIRGINIA	John Stanley
B-007-027	IMPERIAL	John Stanley
B-008-002	NATIONAL	John Stanley
B-008-003	CITY ALE	John Stanley
B-008-005	HOSTER	John Stanley
B-009-001	CENTENNIAL	John Cartwright
B-009-002	SALINAS	John Cartwright
B-009-002	SALINAS	John Stanley
B-009-005	MINERAL SPRINGS	John Stanley
B-009-009	PETERSEN	John Stanley
B-010-002	SALINAS	John Cartwright
B-011-001	SEATTLE (VAR A)	John Cartwright
B-012-001	FINK	John Stanley
B-012-003	H-C GOLD TOP	John Stanley
B-012-004	H-C GOLD TOP	John Stanley
B-013-034	MILLER	John Cartwright
B-013-038	SCHLITZ	Don Whelan
B-013-061	BOHEMIAN	John Cartwright
B-013-078	MUEHLEBACH (KC)	Jim Maxwell

B-013-083	MUEHLEBACH (KC)	Jim Maxwell
B-014-022	GOLDEN GLOW	John Cartwright
B-014-040	SALINAS	John Cartwright
B-014-049	FRESNO	John Cartwright
B-014-059	SCHWARZENBACH	Mark Barren
B-014-079	BURGERMEISTER	John Cartwright
B-014-081	CREMO	John Cartwright
B-014-091	GOLDEN GLOW	John Cartwright
B-014-108	FRESNO	John Cartwright
B-014-109	GOETZ	John Cartwright
B-014-120	CREMO	John Cartwright
B-014-122	HABERLE	Mark Barren
B-014-136	BECKER	John Cartwright
B-014-137	SCHLITZ	Don Whelan
B-014-152	SCHLITZ	Don Whelan
B-014-155	ANACONDA	John Cartwright
B-014-157	SALINAS	John Cartwright
B-014-164	EUREKA	John Cartwright
B-016-003	GERMAN	John Stanley
B-016-004	HABERLE	Mark Barren
B-018-004	BARTHOLOMAY	Mark Barren
B-018-058	PACIFIC CLUB	John Cartwright
B-018-060	PHOENIX	Mark Barren
B-018-064	PRIMO	John Cartwright
B-018-067	RUPPERT	Mark Barren
B-018-068	SCHLITZ	Don Whelan
B-018-077	SUNSET	John Cartwright
B-018-078	TACOMA	John Cartwright
B-018-081	VALLEY BREW	John Cartwright
B-018-082	WEST END	Mark Barren
B-018-083	ACME	John Cartwright
B-018-092	CALIFORNIA	John Cartwright
B-018-093	CAPITAL	John Stanley
B-018-094	CASCADE	John Cartwright
B-018-102	GERST	John Stanley
B-018-113	OAKLAND	John Cartwright
B-018-114	RAINIER	John Cartwright
B-018-118	LONE STAR	John Stanley
B-018-124	TACOMA	John Cartwright
B-018-127	VALLEY BREW	John Cartwright
B-018-131	BLACK HILLS	John Cartwright
B-018-136	FLOWER CITY	Mark Barren
B-018-150	ALAMO	John Stanley
B-018-162	CLAUSSEN	John Cartwright
B-018-172	DOTTERWEICH	Mark Barren
B-018-174	EASTSIDE	John Cartwright
B-018-183	FREDERICKSBURG	John Cartwright
B-018-184	GERMAN AMERICAN	Mark Barren
B-018-202	MT HOOD	John Cartwright
B-018-212	PORTLAND	John Cartwright
B-018-218	SEATTLE	John Cartwright
B-018-223	SCHLITZ	Don Whelan
B-018-229	TAM O'SHANTER	Mark Barren
B-018-238	YELLOW HEAD	John Cartwright
B-018-239	ZANG	John Cartwright
B-018-241	ABERDEEN	John Cartwright
B-018-250	BLUE & GOLD	John Cartwright
B-018-266	EASTSIDE	John Cartwright
B-018-287	MAIER	John Cartwright
B-018-291	PACIFIC	John Cartwright
B-018-303	SALEM	John Cartwright
B-018-305	SCHLITZ	Don Whelan
B-018-319	WEINHARD	John Cartwright
B-018-321	WIELAND	John Cartwright
B-018-323	AMERICAN	John Cartwright
B-018-326	BELLINGHAM BAY	John Cartwright
B-018-331	GARDEN CITY	Bill Pattie
B-018-336	DIXIE	John Stanley
B-018-337	LOS ANGELES	John Cartwright
B-018-339	N YAKIMA	John Cartwright
B-018-342	RASPILLER	John Cartwright
B-018-343	SALEM	John Cartwright
B-018-346	SIOUX FALLS	John Cartwright
B-018-352	EAST OREGON	John Cartwright
B-018-370	KESSLER	Bill Pattie
B-018-378	GILT EDGE	John Cartwright

B-018-381	WEINHARD	John Cartwright
B-018-384	AMERICAN	Bill Pattie
B-018-394	HOPSBURGER	John Cartwright
B-018-395	KESSLER	John Cartwright
B-018-395	KESSLER	Bill Pattie
B-018-399	MT HOOD	John Cartwright
B-018-400	OLYMPIA	John Cartwright
B-018-402	20TH CENTURY	John Cartwright
B-018-405	BARTEL	Mark Barren
B-018-407	BOZEMAN	John Cartwright
B-018-407	BOZEMAN	Bill Pattie
B-018-426	ROSENEGK	John Stanley
B-018-432	BOZEMAN	John Cartwright
B-018-436	HOPSBURGER	John Cartwright
B-018-439	PT TOWNSEND	John Cartwright
B-018-458	SCHOENHOFEN	Jim Maxwell
B-018-460	TEXAS	John Cartwright
B-018-460	TEXAS	John Stanley
B-018-476	LANG	John Cartwright
B-018-479	ANACONDA	Bill Pattie
B-018-481	BUTTE	Bill Pattie
B-018-488	SUNSET	John Cartwright
B-018-492	ANGELES	John Cartwright
B-018-508	FLOWER CITY	Mark Barren
B-018-509	FLOWER CITY	Mark Barren
B-018-532	MONTEREY	John Cartwright
B-018-534	PALMETTO	John Stanley
B-018-540	BARMANN	Mark Barren
B-018-543	HUPFEL	Mark Barren
B-018-545	LEICHT	Mark Barren
B-019-010	FLOWER CITY	Mark Barren
B-019-042	EASTSIDE	John Cartwright
B-019-053	L A BREWING	John Cartwright
B-019-067	KESSLER	John Cartwright
B-019-069	SCHLITZ	Don Whelan
B-019-074	BUFFALO CO-OP	Mark Barren
B-019-075	COLUMBIA	John Cartwright
B-019-076	DEER PARK	Mark Barren
B-019-084	GERMAN AMERICAN	Mark Barren
B-019-103	SANTA CRUZ	John Cartwright
B-019-135	RAINIER	John Cartwright
B-019-137	SAN DIEGO	John Cartwright
B-019-164	BARTEL	Mark Barren
B-019-177	MAIER	John Cartwright
B-019-179	STARS & STRIPES	John Cartwright
B-019-187	EASTSIDE	John Cartwright
B-019-188	EASTSIDE	John Cartwright
B-019-220	MATHIE	John Cartwright
B-021-010	COORS	John Cartwright
B-021-026	HABERLE	Mark Barren
B-021-047	ZANG	John Cartwright
B-021-077	SCHLITZ	Don Whelan
B-021-093	ALAMO	John Stanley
B-021-098	BUFFALO	John Cartwright
B-021-109	HIGH GRADE	John Stanley
B-021-118	LONE STAR	John Stanley
B-021-128	PIEL	Mark Barren
B-021-130	RAINIER	John Cartwright
B-021-142	AMERICAN	Bill Pattie
B-021-155	EAST OREGON	John Cartwright
B-021-171	KESSLER	John Cartwright
B-021-180	MOHAWK VALLEY	Mark Barren
B-021-206	ST JOE	Jim Maxwell
B-021-220	BARTEL	Mark Barren
B-021-223	BILLINGS	John Cartwright
B-021-228	BUFFALO	John Cartwright
B-021-264	INLAND	John Cartwright
B-021-274	LION	Mark Barren
B-021-297	PORTNER	John Stanley
B-021-302	SAN DIEGO	John Cartwright
B-021-315	WEINHARD	John Cartwright
B-021-316	WEINHARD	John Cartwright
B-021-325	GAMBRINUS	John Cartwright
B-021-336	BOISE	John Cartwright
B-021-342	FITZGERALD	Mark Barren
B-021-357	SCHLITZ	Don Whelan

19th Year, Issue #73

I-004-062	NEW ENGLAND	Paul Gauvin
I-006-027	HULLS	Paul Gauvin
I-007-045	A-B MALT	Hale Milano
I-007-057	REGAL PALE	Hale Milano
I-007-081	UNION CREAM	Hale Milano
I-007-082	BALBOA	Hale Milano
I-007-083	ROGER WILLIAMS	Hale Milano
I-011-137	SCHLITZ	Don Whelan
I-011-216	SCHLITZ	Don Whelan
I-011-244	GOETZ (KC)	Jim Maxwell
I-011-309	SCHLITZ	Don Whelan
I-011-330	SCHLITZ	Don Whelan
I-011-347	SCHLITZ	Don Whelan
I-011-363	SCHLITZ (KC)	Jim Maxwell
I-012-044	HIGHLANDER	Bill Pattie
I-012-108	DIPLOMAT	Paul Gauvin
I-012-115	GOETZ (KC)	Jim Maxwell
I-012-137	SCHLITZ	Don Whelan
I-012-183	SCHLITZ	Don Whelan
I-012-184	SCHLITZ	Don Whelan
I-012-192	SCHLITZ	Don Whelan
I-013-015	GOETZ (KC)	Jim Maxwell
I-014-010	GOETZ (KC)	Jim Maxwell
I-014-019	MUEHLEBACH (KC)	Jim Maxwell
I-014-031	GOETZ (KC)	Jim Maxwell
I-014-032	GOETZ (KC)	Jim Maxwell
I-015-073	SCHLITZ	Don Whelan
I-016-047	BUTTE	Bill Pattie
I-017-045	GOETZ (KC)	Jim Maxwell
I-017-046	GOETZ (KC)	Jim Maxwell
I-017-085	MUEHLEBACH (KC)	Jim Maxwell
I-017-113	SCHLITZ	Don Whelan
I-017-114	SCHLITZ (KC)	Jim Maxwell
I-017-115	SCHLITZ	Don Whelan
I-017-163	GOETZ (KC)	Jim Maxwell
I-017-191	SCHLITZ (KC)	Jim Maxwell
I-017-191	SCHLITZ	Don Whelan
I-017-205	GOETZ (KC)	Jim Maxwell
I-017-228	SCHLITZ	Don Whelan
I-017-246	GOETZ (KC)	Jim Maxwell
I-017-259	SCHLITZ	Don Whelan
I-017-267	SCHLITZ	Don Whelan
I-017-278	SCHLITZ	Don Whelan
I-017-287	SCHLITZ	Don Whelan
I-019-013	GOETZ (KC)	Jim Maxwell
I-025-XXX	TYPE	Bob Stahly
J-003-005	HIGHLANDER	Bill Pattie
J-003-032	HIGHLANDER	Bill Pattie
J-004-027	SCHLITZ	Don Whelan
J-005-063	MUEHLEBACH (KC)	Jim Maxwell
J-005-091	SCHLITZ	Don Whelan
J-005-107	SCHLITZ	Don Whelan
J-006-048	GREAT FALLS	Bill Pattie
J-007-003	HAMMS	John Stanley
J-007-004	SCHAEFER	John Stanley
J-009-003	SCHLITZ	Don Whelan
J-011-002	SCHLITZ (KC)	Jim Maxwell
J-013-001	SCHLITZ	Don Whelan
K-001-002	SCHLITZ	Don Whelan
K-010-001	SCHLITZ	Don Whelan
L-002-004	BUFFALO CO-OP	Norm Jay
L-002-016	BUDWEISER	Norm Jay
L-002-017	INDIANA	Norm Jay
L-002-018	MCAVOY	Norm Jay
L-002-019	TERRE HAUTE	Norm Jay
L-002-020	TEXAS	Norm Jay
L-002-020	TEXAS	John Stanley
L-004-019	SCHLITZ	Don Whelan
L-004-020	SCHLITZ	Don Whelan
L-004-021	SCHLITZ	Don Whelan
L-004-041	SCHLITZ	Don Whelan
L-004-060	SCHLITZ	Don Whelan
M-001-001	CANANDAIGUA	Mark Barren
M-001-014	LIEBMANN	Mark Barren
M-001-017	RHEINGOLD	Mark Barren
M-001-018	LIEBMANN	Mark Barren
M-002-014	MUEHLEBACH (KC)	Jim Maxwell

JUST FOR OPENERS

M-002-018	MUEHLEBACH (KC)	Jim Maxwell
M-003-006	STANDARD	Bob Stahly
M-003-020	AMERICAN	Bob Stahly
M-003-023	F & S	Bob Stahly
M-003-025	HARRISON (G)	Bob Stahly
M-003-026	HEURICH	Bob Stahly
M-003-027	TROMMERS	Bob Stahly
M-003-034	RUPPERT	Bob Stahly
M-003-034	RUPPERT	Mark Barren
M-003-036	PIEL BROS	Bob Stahly
M-003-037	SHERIDAN	Bob Stahly
M-003-039	HIALEAH	Bob Stahly
M-003-040	DEER PARK	Mark Barren
M-003-042	SEITZ	Bob Stahly
M-006-009	R&H	Mark Barren
M-008-001	STONEY	John Stanley
M-009-006	SCHLITZ	Don Whelan
M-019-010	SCHLITZ	Don Whelan
M-023-009	SCHLITZ	Don Whelan
M-029-006	SCHLITZ	Don Whelan
M-029-039	SCHLITZ	Don Whelan
M-029-043	SCHLITZ	Don Whelan
M-029-049	SCHLITZ	Don Whelan
M-029-063	SCHLITZ	Don Whelan
M-029-065	SCHLITZ	Don Whelan
M-030-027	HIGHLANDER	Bill Pattie
M-030-032	SCHLITZ	Don Whelan
M-030-042	SCHLITZ	Don Whelan
M-030-049	SCHLITZ	Don Whelan
M-030-065	SCHLITZ	Don Whelan
M-030-066	SCHLITZ	Don Whelan
M-038-001	SCHLITZ	Don Whelan
M-038-004	GREAT FALLS	Bill Pattie
M-040-004	SCHLITZ	Don Whelan
M-049-001	UTICA CLUB	Mark Barren
M-051-005	SCHLITZ	Don Whelan
M-052-001	K C B CO (KC)	Jim Maxwell
M-054-005	SCHLITZ	Don Whelan
M-055-002	SCHLITZ	Don Whelan
M-070-005	SCHLITZ	Don Whelan
M-070-007	SCHLITZ	Don Whelan
M-073-006	KESSLER (Y)	Bill Pattie
M-073-007	KESSLER (Y)	Bill Pattie
M-073-008	KESSLER (R)	Bill Pattie
M-073-009	KESSLER (G)	Bill Pattie
M-073-011	KESSLER (R)	Bill Pattie
M-073-012	KESSLER (B)	Bill Pattie
M-076-001	SCHLITZ	Don Whelan
N-011-003	FALSTAFF	John Cartwright
N-011-005	RAINIER	John Cartwright
N-012-002	SCHLITZ	Don Whelan
N-022-004	IROQUOIS	Mark Barren
N-023-001	SCHLITZ	Don Whelan
N-027-005	SCHLITZ	Don Whelan
N-029-008	FALLS CITY (KC)	Jim Maxwell
N-033-001	WEIBEL	Paul Gauvin
N-040-008	SCHLITZ	Don Whelan
O-001-001	HAMM	John Stanley
O-001-002	LEIDGER	John Stanley
O-001-003	BERGHOFF	John Stanley
O-001-004	MILLER	John Stanley
O-001-005	POTOSI	John Stanley
O-002-006	SCHLITZ	Don Whelan
O-002-UL	ROCKY MOUNTAIN	Bill Pattie
O-004-022	GOLDEN GLOW	John Cartwright
O-004-030	GOETZ (KC)	Jim Maxwell
O-006	TYPE	Bob Stahly
O-008-004	EASTSIDE	John Cartwright
O-012	TYPE	Bob Stahly
O-013	TYPE	Bob Stahly
P-002-001	GREENWAY	Mark Barren
P-007-028	SCHREIBER	Mark Barren
P-008-008	BUFFALO CO-OP	Mark Barren
P-008-021	LEMP	Jim Maxwell
P-008-056	KESSLER	Bill Pattie
P-008-060	SCHLITZ	Don Whelan
P-008-071	HOSTER	John Stanley

January 1997

P-008-073	LEMP	Jim Maxwell
P-008-078	SCHLITZ	Don Whelan
P-008-096	IROQUOIS	Mark Barren
P-008-097	JOPLIN	Jim Maxwell
P-008-107	AMERICAN	Bill Pattie
P-008-119	ROCHESTER (KC)	Jim Maxwell
P-008-120	ST JOE	Jim Maxwell
P-008-132	LEMP	Jim Maxwell
P-008-152	IROQUOIS	Mark Barren
P-008-160	BILLINGS	Bill Pattie
P-008-175	STULZ BROS (KC)	Jim Maxwell
P-008-180	GLAZHERS & BURZEN (KC)	Jim Maxwell
P-008-182	SCHLITZ	Don Whelan
P-008-190	SCHLITZ	Don Whelan
P-009-001	HEIM (KC)	Jim Maxwell
P-009-007	ST JOE	Jim Maxwell
P-009-016	HEIM (KC)	Jim Maxwell
P-009-017	HEIM (KC)	Jim Maxwell
P-010-016	LEMP	Jim Maxwell
P-010-035	HEIM (KC)	Jim Maxwell
P-010-050	IROQUOIS	Mark Barren
P-010-059	MUEHLEBACH (KC)	Jim Maxwell
P-010-060	SCHLITZ	Don Whelan
P-010-066	LEMP	Jim Maxwell
P-014-005	BILLINGS	Bill Pattie
P-017-004	COLUMBIA	Paul Gauvin
P-017-011	BILLINGS	Bill Pattie
P-018-001	JAMESTOWN	Mark Barren
P-018-003	WASHOE	Bill Pattie
P-019-005	SCHLITZ	Don Whelan
P-019-010	KALISPELL	Bill Pattie
P-019-017	SAVANNAH	John Stanley
P-019-020	CINCINNATI CLUB	Jim Maxwell
P-019-026	SCHLITZ	Don Whelan
P-019-035	SCHILLER (KC)	Jim Maxwell
P-019-046	SCHLITZ	Don Whelan
P-019-053	SCHLITZ	Don Whelan
P-019-065	SCHLITZ	Don Whelan
P-024-002	AUGUSTA	John Stanley
P-024-008	AUGUSTA	John Stanley
P-028-003	GREENWAY	Mark Barren
P-029-003	GENESEE	Mark Barren
P-031-002	LEMP	Jim Maxwell
P-031-006	EUREKA	Bill Pattie
P-031-008	ARNOLD	Mark Barren
P-034-002	SCHLITZ	Don Whelan
P-044-001	BARTHOLOMAY	Mark Barren
P-048-002	SCHLITZ	Don Whelan
P-051-010	BUFFALO CO-OP	Mark Barren
P-051-013	HOSTER	John Stanley
P-051-015	LEMP	Jim Maxwell
P-053-005	SCHLITZ	Don Whelan
P-054-009	HOME	John Stanley
P-056-001	ST JOE	Jim Maxwell
P-057-005	SCHLITZ	Don Whelan
P-059-001	LEMP	Jim Maxwell
P-076-001	SCHLITZ	Don Whelan
P-078-001	ROCHESTER (KC)	Jim Maxwell
P-079-001	LOERZEL	Mark Barren
P-082-003	BUFFALO CO-OP	Mark Barren
P-083-001	KESSLER	Bill Pattie
P-084-001	SCHLITZ	Don Whelan
P-086-001	ST JOE	Jim Maxwell
P-087-001	MAGNOLIA	John Stanley
Q-005-009	SCHLITZ	Don Whelan
Q-007-004	SCHLITZ	Don Whelan
Q-008-022	SCHLITZ	Don Whelan
Q-008-034	SCHLITZ	Don Whelan
Q-018-062	SCHLITZ	Don Whelan
R-012-001	SCHLITZ	Don Whelan
Z-001-001	CREMO	Paul Gauvin

Results of October 1996 JFO Auction Closing November 15, 1996

1	A-001-001	ARGONAUT	VG	***\$25.00
2	A-001-021	EL CAPITAN	EX	\$26.00
3	A-001-023	GRAFS	G	\$11.00
4	A-001-054	ROYAL CANADIAN JR	VG	\$23.00
5	A-001-UL	MALTOSIA BUFFALO	VG	\$45.00
6	A-001-XX	WOODLAWN TAVERN	VG	\$7.70
7	A-001-XX	FLADUNG BEVERAGES	G	\$11.11
8	A-002-XX	VALLEY CIGAR STORE	EX	\$10.00
9	A-002-XX	AVALON GARDENS	VG	\$7.70
10	A-002-XX	HINKY DINKS	VG	\$7.70
11	A-003-021	KASKO MALT	G	\$18.51
12	A-004-002	NATIONAL BEVERAGE	G	\$18.10
13	A-004-009	LEISY	VG	\$12.51
14	A-004-037	HOSTER SCHLEE COLUMBUS	VG	\$40.00
15	A-004-UL	OERTEL	G	\$20.15
16	A-005-010	FOUR ROSES	EX	\$10.35
17	A-005-015	IDEAL FOOD PRODUCTS	EX	\$10.85
18	A-005-UL	AMERICAN GIRL MALT	FR	\$10.00
19	A-005-UL	CANADIAN CLUB MALT	VG	\$20.15
20	A-008-001	RUPPERT	EX	\$23.50
21	A-009-001	BUFFALO	G	\$43.00
22	A-009-004	LEISY	G	\$40.51
23	A-009-XX	DRINK CHAM PAY	FR	\$23.51
24	A-012-001	BURGERMEISTER	VG	\$16.50
25	A-012-004	POINTER	G	\$10.51
26	A-012-021	EASTSIDE	G	\$18.00
27	A-013-XX	MERLE'S GARAGE	EX	\$41.00
28	A-013-XX	HOTEL HOLLIS	G	\$16.77
29	A-015-004	COOK	G	\$7.98
30	A-015-005	SCHREIRER	G	\$17.10
31	A-015-011	LEISY	VG	\$26.26
32	A-020-039	WAYNE	G	\$23.00
33	A-021-002	BLATZ	EX	\$8.88
34	A-021-056	HUDEPOHL WIEDEMANN	VG	\$12.55
35	A-021-UL	SPOKANE BOTTLER	VG	\$14.00
36	A-024-002	MILLER	EX	\$56.06
37	A-029-003	K-B	EX	\$31.00
38	A-029-023	POTOSI	G	\$12.50
39	A-029-031	BUTTE BOTTLER	G	\$17.00
40	A-029-044	FOX HEAD	G	\$22.00
41	A-039-XX	WESTERN LIFE	VG	\$6.51
42	A-053-XX	GEBHARDT SAVOY CAFE	VG	\$20.00
43	A-XX-XX	(CHICKEN) S.Q.	G	\$6.51
44	B-002-003	EDELWEISS (STEEL)	G	\$26.75
45	B-002-025	LUXUS	G	\$25.00
46	B-003-006	AURORA (VERY WORN)	FR	\$20.11
47	B-013-018	GRAF	EX	\$15.00
48	B-013-045	BLUE RIBBON PRODUCTS	VG	***\$16.00
49	B-013-067	SCHILLER BROS	VG	\$30.00
50	B-013-092	BLUE RIBBON PRODUCTS	VG	***\$16.00
51	B-013-XX	HOTEL HAYES	VG	\$5.00
52	B-014-013	FECKER	VG	\$10.01
53	B-014-085	GLUEK	EX	\$19.50
54	B-014-118	SAND SPRINGS	M	\$19.50
55	B-017-XX	HOTEL CALIFORNIAN	EX	\$33.50
56	B-018-003	AMERICAN	M	\$11.30
57	B-018-021	DICK	G	\$11.11
58	B-018-023	DUBUQUE VIMALT	G	\$0.00
59	B-018-116	RAINIER	VG	\$21.50
60	B-018-120	SCHWARZENBACH	VG	\$16.50
61	B-018-146	SCHILLER BROS	G	\$15.15
62	B-018-161	CARLING	EX	\$11.11
63	B-019-031	RAINIER	G	\$9.40

64	B-019-060	STANDARD	G	\$14.00
65	B-019-202	ACME	EX	\$21.50
66	B-019-XX	MOER-LO SOFT DRINK	VG	\$11.11
67	B-019-XX	BLUDWINE	G	\$10.04
68	B-021-008	CLEVELAND & SANDUSKY	EX	\$9.00
69	B-021-010	COORS	G	\$2.01
70	B-021-011	DIEHL	G	\$4.18
71	B-021-039	INDEPENDENT	EX	\$8.44
72	B-021-049	MALTOSIA	VG	\$16.80
73	B-021-072	RUHSTALLER	G	\$13.50
74	B-021-076	SCHLITZ	EX	\$24.25
75	B-021-091	WIELAND	VG	\$18.00
76	B-021-100	BURKHARDT	G	\$4.03
77	B-021-125	PECHSTEIN & NAGEL	G	\$24.00
78	B-021-163	GOETZ	VG	\$6.88
79	B-021-237	CRYSTAL GOLD	FR	\$3.51
80	B-022-010	JUNG	VG	\$14.33
81	B-023-062	BRUCKMANN COMPANY	EX	\$4.53
82	B-023-081	WHITE BANNER MALT	VG	\$9.14
83	B-024-001	ACME	G	\$7.22
84	B-024-004	BUFFALO	VG	\$15.00
85	B-024-006	BURKHARDT	VG	\$8.00
86	B-024-017	GRIESE DIECK BROS	EX	\$7.00
87	B-024-055	POINTER	VG	\$15.41
88	B-024-089	STORZ	EX	\$23.00
89	B-024-XX	WHITE TAVERN	EX	\$5.05
90	B-040-XX	NU-ICY	VG	\$15.04
91	B-041-XX	FAYETTE BEVERAGES	VG	\$10.51
92	B-042-XX	CIGAR MDSE	VG	\$20.00
93	B-069-001	MICHELOB DRY	EX	\$10.50
94	C-001-003	EDELWEISS	G	\$23.51
95	C-005-006	PABST BLUE RIBBON	VG	\$5.51
96	C-005-006	PABST BLUE RIBBON	G	\$5.51
97	C-009-003	BLATZ	G	\$5.00
98	C-010-015	NEWARK	VG	\$6.09
99	C-010-020	ROCHESTER	M	\$15.26
100	C-010-035	OLD STOCK	M	\$11.00
101	C-011-XX	BON TON BEVERAGES	EX	\$5.00
102	C-012-004	CREMO	VG	\$6.20
103	C-012-065	TRENTON	EX	\$8.41
104	C-012-074	CRYSTAL ROCK	EX	\$7.55
105	C-012-096	RAINIER	G	\$9.25
106	C-012-114	WASHINGTON	G	\$7.55
107	C-013-135	GOENNER & CO	VG	\$7.00
108	C-013-163	WHITE EAGLE	EX	\$10.35
109	C-013-199	WHITE EAGLE BEER	VG	\$16.26
110	C-013-201	BIRK BROS	G	\$2.09
111	C-017-008	HANLEY	VG	\$4.05
112	C-017-066	ATLAS	VG	\$5.05
113	C-018-007	METZ	VG	\$12.00
114	C-020-005	LEBANON VALLEY	M	\$10.51
115	C-037-XX	WADSWORTH-HOWLAND	VG	\$5.00
116	D-001-011	BLUMER	VG	\$4.10
117	D-003-XX	ANCHOR	G	***\$5.00
118	D-006-001	BRUCK	VG	\$12.00
119	D-006-002	FEHR	VG	\$12.50
120	D-009-001	CHIEF OSHKOSH	G	\$10.00
121	D-017-001	ROLLING ROCK	EX	\$12.44
122	E-003-005	FISHER	EX	\$9.25
123	E-003-011	HOOSIER	VG	\$3.50
124	E-003-047	CONSUMER	EX	\$17.00

Results of October 1996 JFO Auction Closing November 15, 1996

125	E-004-009	ATLAS	EX	\$3.10
126	E-004-014	BLATZ	G	\$3.75
127	E-004-028	DICK BROTHERS	VG	\$3.60
128	E-004-033	FALLS CITY	G	\$1.90
129	E-004-048	HUMBOLDT	VG	\$9.50
130	E-004-049	INDEPENDENT	G	\$1.57
131	E-004-070	RAINIER	VG	\$10.75
132	E-004-117	GOETZ	EX	\$3.10
133	E-004-136	REGAL AMBER	VG	\$5.50
134	E-004-154	WIELAND	G	\$10.75
135	E-004-XX	BRIGHT SPOT BOTTLING	VG	\$8.08
136	E-004-XX	BELFAST	G	\$5.00
137	E-005-067	STORZ	M	\$8.00
138	E-007-007	GOETZ	G	\$8.50
139	E-007-007	GOETZ	G	\$8.50
140	E-014-004	ACME	EX	\$3.50
141	E-014-005	ACME	EX	\$3.50
142	E-014-006	ACME	VG	\$5.05
143	E-014-034	BUFFALO	EX	\$6.26
144	E-014-165	KING COLE	G	\$16.26
145	E-014-205	OLD IMPERIAL	FR	\$7.50
146	E-014-295	WALTER	G	\$1.85
147	E-014-334	BUFFALO	VG	\$7.55
148	E-014-478	BUFFALO	G	\$8.25
149	E-014-513	HUSTING	EX	\$8.10
150	E-014-538	REGAL SUPREME	EX	\$5.38
151	E-014-689	GIPPS	VG	\$16.25
152	E-015-002	HAND	VG	\$6.11
153	F-002-002	BLATZ	G	\$3.00
154	F-002-002	HUSTING	EX	\$15.50
155	F-002-XX	SILCO BEVERAGES	EX	\$6.49
156	F-002-XX	NEW MILLIGAN HOTEL	VG	\$10.00
157	F-004-011	MANHATTAN BOTTLING	VG	\$13.50
158	F-005-015	STONE MALT	VG	\$5.75
159	F-005-031	BLUE LABEL MALT	G	\$13.50
160	F-006-014	WIELAND	G	\$13.50
161	F-015-XX	BUD'S PONY KEG	VG	\$5.15
162	F-027-XX	GROCERS ICE	G	\$9.51
163	F-029-XX	PALACE HOTEL	G	\$10.50
164	G-001-001	A.B.C.	EX	\$12.00
165	G-001-034	LEIDIGER	G	\$10.35
166	G-003-003	HAMM	VG	\$9.51
167	G-004-002	BLATZ	VG	\$5.51
168	G-009-001	BECK	EX	\$12.30
169	G-009-008	MURPHY	VG	\$10.00
170	G-009-015	PHOENIX	VG	\$13.80
171	G-009-049	GOLDEN DROPS	VG	\$15.00
172	H-006-011	OLYMPIA	M	\$9.00
173	H-007-009	POTOSI	VG	\$10.51
174	H-008-008	IROQUOIS	VG	\$15.60
175	I-007-011	CROFT	VG	\$5.55
176	I-007-017	GENESEE	VG	\$1.30

177	I-007-060	STORZ	EX	\$10.55
178	I-007-XX	DRINK IGA JUICES	EX	\$5.55
179	I-011-130	REGENT	VG	\$1.25
180	I-019-031	STERLING	M	\$3.00
181	K-004-XX	(TAPSTER)	VG	\$0.00
182	L-001-004	MILLER VAR (B)	VG	\$27.77
183	L-002-XX	PEEBLES WHISKEY	G	\$15.51
184	L-002-XX	DEWAR WHISKEY	G	\$15.51
185	M-001-004	HAFFENREFFER	G	\$25.00
186	M-001-005	HARVARD	VG	\$15.51
187	M-001-005	HARVARD	EX	\$17.51
188	M-001-006	HUDEPOHL	FR	\$4.61
189	M-001-014	LIEBMANN (BOTTLE)	G	\$25.00
190	M-001-016	OLD COLONY	VG	\$25.00
191	M-001-019	HAFFENREFFER	G	\$25.00
192	M-001-021	KING MALT	EX	\$25.00
193	M-002-008	HARVARD (BOTTLE)	VG	\$30.11
194	M-002-011	WIELAND (BOTTLE)	EX	\$50.00
195	M-002-012	BERRY WHISKEY (BOTTLE)	EX	\$66.06
196	M-002-013	CANANDAIGUA (BOTTLE)	EX	\$88.08
197	M-002-017	CROWN (BOTTLE)	FR	\$25.75
198	M-003-002	BISMARCK (MIN BID \$50)	EX	\$87.59
199	M-003-012	GERMAN	G	\$12.55
200	M-003-013	PHILADELPHIA	VG	\$14.11
201	M-003-014	PIEL	G	\$15.21
202	M-003-016	BARBEY	VG	\$43.75
203	M-003-XX	THEO DE WITT	FR	\$3.51
204	M-006-006	WAGNER	G	\$31.77
205	M-021-001	RAINIER	VG	\$40.51
206	M-025-001	LEMP	VG	\$40.00
207	M-025-XX	(BLANK)	VG	\$7.70
208	M-039-004	FEHR	FR	\$13.50
209	M-045-001	GRAF	VG	\$12.00
210	M-048-001	BULLFROG (MIN BID \$60)	VG	\$101.01
211	M-057-002	WIEDEMANN	VG	\$66.75
212	N-002-001	DIXIE	EX	\$12.50
213	N-009-008	VIENNA	EX	\$16.25
214	N-009-XX	STEEL SALES CORP	VG	\$7.00
215	N-009-XX	VAUGHAN	VG	\$15.55
216	N-009-XX	FRIARY ALES	VG	\$6.80
217	N-012-001	BECK	EX	\$62.77
218	N-016-XX	VALLEY FORGE	VG	\$12.50
219	O-005-014	SIMON PURE	VG	\$17.50
220	P-034-001	SCHLITZ	FR	\$25.00
221	R-001-002	INTERNATIONAL	VG	\$15.00

Total realized on 219 of 221 items \$3,418.43 (\$15.61 Average)

*** Denotes Tie Bid Many thanks to the 48 bidders

Remember Next Time to Enter Your Name and Membership # on the Bid Sheet

Would You Like to See The Auction Done By Phone and Mail Bidding ?????

If You Would Like to Go To Phone Bidding Please Let Me Know

January 1997 JFO Auction-Closing February 12, 1997-Name:
--

- Send Bids To: John Stanley, PO Box 64, Chapel Hill, NC 27514-0064
 Rules: 1) No Phone Bidding & Only 1 Bid Per Item Allowed
 2) Openers Sold to Highest Bidder 3) Identical Bids, Earliest Bid Wins
 4) 7 Days to Return If Not Satisfied 5) Openers Shipped Upon Payment
 6) Results Shown Next JFO Issue 7) Shipping and Handling Extra

Conditions (CS): PO (Poor), G (Good), VG (Very Good), EX (Excellent), M (Mint)
 (UL-Unlisted in 96 Handbook, XX-Non-USA-Beer)

JFO # & Description from 1996 Handbook Of United States Beer Advertising Openers and Corkscrews

#	JFO #	Description	ST	CS	BID
001	A-001-016	MONTANA BREWING CO. "MY FAVORITE"	MT	G	
002	A-001-021	EL CAPITAN BEER S.F.	CA	G	
003	A-001-025	COMPLIMENTS OF LEMBECK & BETZ EAGLE BREWING CO. JERSEY CITY, N.J.	NJ	VG	
004	A-001-XX	BAY VIEW BOTTLING WORKS 305 LOGAN AVENUE		VG	
005	A-002-XX	LOU'S TAVERN COR. 1ST AND MAIN		EX	
006	A-002-XX	CLARA & AL'S CAFE 1535 ELM PA. 8937		EX	
007	A-002-XX	LELA & WYLIES PLACE 827 STATE AVE. WA 9851		G	
008	A-002-XX	HOWARD'S AMERICAN CAFE EAST PALESTINE, OHIO	OH	VG	
009	A-005-015	IDEAL FOOD PRODUCTS CO. CEDAR RAPIDS, IOWA. IDEAL MALT SYRUP (IYS IN CIRCLE)	IA	EX	
010	A-005-UL	OSCAR SABBE MALT AND HOP STORE 9977 GRATIOT AVE. WHITTIER 5459		VG	
011	A-005-XX	MAJESTIC HOTEL 1102 N. CAPITOL AVE. INDIANAPOLIS, IND.	IN	G	
012	A-005-XX	ALIQUIPPA SANITARY BOTTLING WORKS	PA	VG	
013	A-007-013	MOHAWK BEER BUFFALO	NY	EX	
014	A-007-XX	THE WHISTLE BOTTLING WORKS SAN LUIS OBISPO, CAL. WHISTLE & CHERRY BLOSSOM "OFTEN IMITATED NEVER EQUALLED"	CA	G	
015	A-009-003	THE HOSTER-COLUMBUS A.B. CO. DRINK GOLD TOP "THAT'S THE BEER"	OH	G	
016	A-009-010	THE KAMM & SCHELLINGER BRG. CO. PULL FOR PREMONA	IN	EX	
017	A-009-017	SCHELL'S DEER BRAND BEER, NEW ULM, MINN	MN	G	
018	A-009-XX	MEET ME AT PAUL GEORGE'S HAT, SHOE & DRY CLEANING PARLOR 319 N. ST. CLAIR		G	
019	A-009-XX	HIPPODROME PERU, IND.	IN	PO	
020	A-012-XX	BLANKS EVERETT / SAME		EX	
021	A-013-XX	THE IDEAL GARAGE CO. DIXSON & DIAMOND STS. MANSFIELD, OHIO.	OH	VG	
022	A-013-XX	ROBT. HOLMES & BROS. GARAGE, HEADQUARTERS FOR MOST POPULAR AUTOS, 38 40 HAZEL ST. DANVILLE, ILL.	IL	G	
023	A-014-001	RAINER BEER / SAME (VERY NICE SHAPE BUT ONLY TRACES OF THE ORIGINAL COPPER PLATE REMAIN-MIN BID \$75.00)	CA	VG	
024	A-015-003	THE CLEVELAND & SANDUSKY BREWING CO. / CRYSTAL ROCK BEER (VERY WORN)	OH	PO	
025	A-015-013	TERRE HAUTE BREWING CO. TERRE HAUTE, IND. / CHAMPAGNE VELVET "THAT EVER WELCOME BEER"	IN	PO	
026	A-016-XX	CHARLES CITY BOTTLING WORKS CHARLES CITY, IOWA	IA	EX	
027	A-018-020	FISHER BEER / SAME (VERY WORN)	UT	PO	
028	A-021-002	BLATZ OLD HEIDELBERG / BLATZ MILWAUKEE	WI	G	
029	A-021-XX	SPIN AROUND TO HYATT'S GOOD BEER 35 MAIN ST. GREENWICH, N.Y.	NY	VG	
030	A-023-004	WM. HEINLY, INC. BETTER BEERS 504 N. 2 ST. RDG.	PA	M	

January 1997 JFO Auction-Closing February 12, 1997-Name:

031	A-029-070	REINE CO. S.F. USE BEST-EVER MALT & HOP SYRUP / SAME	CA	G	
032	A-029-XX	DRINK SAEGERTOWN GINGER ALE / THE ARISTOCRAT SAEGERTOWN THE ARISTOCRAT OF OLD STYLE GINGER ALE		G	
033	A-029-XX	(SIMILAR/BOTTLE SHAPED DIFFERENT) DRINK TRY-ME TRY ME		G	
034	A-031-XX	GET THE NATIONAL HABIT CASH IN ON NATIONAL OIL SEALS		EX	
035	A-039-XX	"JIM'S" HILLTOP LIQUORS GRAND JUNCTION PH. 3157W	TX	VG	
036	A-039-XX	ADVERTISE YOUR BUSINESS WITH OUR J93-AB916 TURTLE SCREWDRIVER BOTTLE OPENER NATIONAL PRESS, INC.		M	
037	A-042-XX	DON'T BE A FISH DRINK INGLESIDE GINGER ALE, INGALLIS BROS. PORTLAND, ME.	ME	PO	
038	B-000-LOT	B-13-18-GRAF B-14-41-SCHMIDT B-14-41-SCHMIDT B-14-85-GLUEK (G-VG)			
039	B-001-05A	PITTSBURGH BREWING CO. (IN LOGO) TECH BEER (STEEL)	PA	G	
040	B-002-01A	DRINK BLATZ PRIVATE STOCK BEER MILWAUKEE (B IN 6 POINTED STAR) (STEEL)	WI	G	
041	B-002-XX	DRINK COCA-COLA IN BOTTLES (STEEL) (NO PAINT)	GA	G	
042	B-004-002	SCHEIDT'S VALLEY FORGE SPECIAL BEER (BRASS)	PA	G	
043	B-005-XX	SMIKE CAMPANELLA CIGARS / COMPLIMENTS FRANK B. ALLEY HORNELL, N.Y.	NY	EX	
044	B-007-XX	SMOKE BEN HUR 5C CIGAR BEST ON EARTH		G	
045	B-013-005	DRINK GOLDEN WEST BEER	CA	PO	
046	B-013-049	COMPLIMENTS GOLDEN RIBBON MALT SYRUP 3000 MISSION ST. SAN FRANCISCO F.A. STENZ	CA	G	
047	B-014-001	ATLAS BREWING COMPANY SPECIAL / TONIC CANAL 6200	IL	VG	
048	B-014-026	DRINK HAMM'S BEVERAGES ST. PAUL, MINN. / WINDSOR CLUB THE REAL BEER TASTE (FRONT VERY WORN)	MN	PO	
049	B-014-119	ALWAYS ASK FOR ZOLLER'S IT'S MELLOW DAVENPORT, IOWA.	IA	EX	
050	B-014-XX	DRINK COCA-COLA COCA COLA / POWER PLANT GEO. B. SCHMIDT		G	
051	B-018-010	DRINK BUSHKILL LAGER / EASTON, PA.	PA	EX	
052	B-018-219	COMPLIMENTS OF SEATTLE BREWING AND MALTING CO. / KEY TO RAINIER BEER	WA	EX	
053	B-018-226	SOUTH BEND BREWING ASS'N DRINK "TIGER BREW"	IN	VG	
054	B-018-280	THE HOSTER-COLUMBUS ASSOCIATED BREWERIES CO.	OH	PO	
055	B-018-UL	HACK & SIMON VINCENNES, IND. / BEST BEER IN THE STATE	IN	PO	
056	B-018-XX	DRINK PLE Z EE THE BEST SOFT DRINK ON EARTH		EX	
057	B-019-035	SEATTLE BREWING & MALTING CO. SEATTLE, WASH. U.S.A. / KEY TO RAINIER BEER	WA	VG	
058	B-019-089	HOME BREWING COMPANY INDIANAPOLIS, IND. / COLUMBIA AND HOME BREW	IN	G	
059	B-019-170	MINNEAPOLIS BREWING CO. GOLDEN GRAIN BELT BEERS	MN	EX	
060	B-019-XX	OAKLAND PIONEER SODA WATER CO	CA	G	
061	B-021-041	INDIANAPOLIS BREWING CO. DUESSELDORFER THE WORLD'S STANDARD OF PERFECTION	IN	G	
062	B-021-052	DRINK MOERLEIN'S BARBAROSSA / THE FINEST BOTTLE BEER BREWED	OH	VG	
063	B-021-068	DRINK RADEKE'S BEER	IL	VG	
064	B-021-084	TACOMA EXTRA PALE 'GET IT'	CA	G	
065	B-021-113	JUNG BEER MILWAUKEE SERVES YOU RIGHT	WI	G	
066	B-021-149	CHATTANOOGA BEER	TN	PO	
067	B-021-UL	DECATUR BRG. CO. PILSNER	IL	G	
068	B-021-XX	FREAS BROTHERS CIGARS, CONFECTIONS AND TOBACCOS, FRANKFORT, IND.	IN	VG	
069	B-022-UL	DRINK LEMP'S BEER / C.H. REILLEY DISTRIBUTOR (VERY WORN)	UT	PO	

January 1997 JFO Auction-Closing February 12, 1997-Name:
--

070	B-023-029	MANUFACTURED BY TERRE HAUTE BREWING CO. / DRINK C-V NON INTOXICATING	IN	G	
071	B-023-069	THEO. HAMM BREWING CO. ST. PAUL / SAME	MN	VG	
072	B-024-001	ACME BEER	CA	EX	
073	B-024-006	BURKHARDT'S BEER / MUG ALE	MA	VG	
074	B-024-010	DRINK DUTCH CLUB BEER / SAME	PA	EX	
075	B-024-022	ENJOY LUCKY LAGER BEER	CA	G	
076	B-024-023	MATHIE-RUDER BREW. CO. WAUSAU WISCONSIN ENJOY RED RIBBON & GOLD STAR BEER	WI	VG	
077	B-024-030	RAINIER ALE / RAINIER BEER	CA	VG	
078	B-024-057	ACME BREWERIES SAN FRANCISCO / ACME BEER	CA	VG	
079	B-024-075	BECKER BREWING AND MALTING COMPANY EVANSTON, WYOMING	WY	EX	
080	B-035-XX	"MIXES WELL" THE WINDSOR DRY GINGER ALE CO. TOLEDO, O.	OH	VG	
081	C-000-LOT	C-13-21-DOBLER C-13-150-RHEINGOLD C-14-22A-HAMMS C-17-11-IROQUOIS C-17-66-ATLAS (GOOD)			
082	C-002-001	PHOENIX BEER (SCRIPT LETTERS) BUFFALO'S FAMOUS BREW TASTE THE DIFFERENCE (EAGLE LOGO)	NY	VG	
083	C-009-004	THE BRUCKMANN CO. CINCINNATI	OH	VG	
084	C-009-019	ACME BREW	CA	G	
085	C-009-XX	HUSTINGS'S SOFT DRINKS	WI	VG	
086	C-010-004	FAMOUS BEVERWYCK BEER & ALE ALBANY, N.Y.	NY	EX	
087	C-012-001	FAMOUS A-B-C BEER / SAME	CA	G	
088	C-012-022	R & H BEER	NY	VG	
089	C-012-034	ALPEN BRAU BEER (BOTTLE)	MO	G	
090	C-013-007	BREIDT'S BEER-ALES SINCE 1867	NJ	VG	
091	C-013-018	CREAM CITY BREWING CO. FAMOUS MILWAUKEE PILSENER TYPE BEER (BOTTLE)	WI	VG	
092	C-013-029	ELDREDGE PORTSMOUTH ALE (BOTTLE)	NH	EX	
093	C-013-052	GOLDEN GLOW BEER (VAR (B) BLOCK)		VG	
094	C-013-091	RUPPERT BEER ALE	NY	G	
095	C-013-110	STERLING BREWERS INC. EVANSVILLE, IND. STERLING STERLING BEER (BOTTLE)	IN	G	
096	C-013-112	TERRE HAUTE BREWING CO. INC. CHAMPAGNE VELVET BEER / CHAMPAGNE VELVET BEER (BOTTLE)	IN	VG	
097	C-013-132	GEM BEER MENASHA, WIS.	WI	VG	
098	C-013-201	BIRK BROS. BREWING CO. LINCOLN 7600 / BIRK'S SUPERB BEER	IL	G	
099	C-013-240	PIONEER FINE BEER	WI	G	
100	C-013-XX	CAL COLA (BOTTLE) / SAME		G	
101	C-015-015	BUCKEYE BEER	OH	EX	
102	C-017-016	MONARCH BEER	IL	EX	
103	C-017-036	HOME BREWING COMPANY INC. RICHMOND, VA. RICHBRAU BEER	VA	G	
104	C-018-011	TROMMER'S BEER	NY	G	
105	C-022-002	JACOB RUPPERT BREWER-NEW YORK / SAVE THIS OPENER ORDER BY THE CASE KNICKERBOCKER THE BREW THAT SATISFIES	NY	VG	
106	C-032-001	RAINIER BREWING COMPANY INC. SAN FRANCISCO, CAL. / RAINIER BEER OLD ORIGINAL (BOTTLE)	CA	VG	
107	C-041-XX	ALBERTA BREWERIES (CANADIAN)		EX	
108	D-000-LOT	D-1-1-A-B-B-A D-5-11-POINT D-12-3-NEWMAN (GOOD)			
109	D-001-011	BLUMER'S	WI	VG	

January 1997 JFO Auction-Closing February 12, 1997-Name:

110	D-003-013	SCHOENHOFEN / EDELWEISS (VERY WORN)	IL	PO	
111	D-003-XX	FRASER & NEAVE LTD / SAME (BRITISH PATENT NO)		G	
112	D-005-011	POINT BEER / SAME	WI	G	
113	D-006-001	BRUCK'S	OH	G	
114	D-009-006	MELLOW BREW	WI	G	
115	D-009-009	PEOPLES / WURTZER	WI	VG	
116	E-000-LOT	E-11-1-ATLAS E-11-3-A-B E-11-12-SCHOENHOFEN E-13-8-HAMM E-13-9-HAMM E-13-13-MINNEAPOLIS (VG-EX)			
117	E-001-011	MOUNT CARBON ALE-PORTER / MOUNT CARBON LAGER BEER	PA	G	
118	E-001-037	STAR BREWERY COMPANY VANCOUVER, WASH. / HOP GOLD BEER SILVER SPRINGS BEER	WA	EX	
119	E-003-005	FISHER BEER SINCE 1884 / SAME	UT	VG	
120	E-003-008	GRIESEDECK BROS. ST. LOUIS LIGHT LAGER / SAME	MO	VG	
121	E-004-010	ATLAS B'R'G. CO. CHICAGO CANAL 6200 / REACH FOR A TREAT DRINK ATLAS SPECIAL BREW	IL	VG	
122	E-004-015	BUCKEYE BEER PICKS YOU UP / KRAUSEN BREWED - - AS OF OLD	OH	EX	
123	E-004-016	BUFFALO BREWING CO. / BUFFALO & GILT EDGE	CA	VG	
124	E-004-033	FALLS CITY BREWING CO. LOUISVILLE, KY. / FALLS CITY BEER	KY	VG	
125	E-004-035	FALSTAFF / THE CHOICEST PRODUCT OF THE BREWERS' ART (VAR (B) BREWERS')	MO	G	
126	E-004-038	THE GLOBE BREWING CO. BALTO, MD. / DRINK ARROW BEER	MD	VG	
127	E-004-047	HUDEPOHL BREWING CO. / CINCINNATI OHIO (SCREWDRIVER TIP)	OH	G	
128	E-004-048	HUMBOLDT BEER / SAME	CA	G	
129	E-004-050	MANITOWOC PRODUCTS CO. MANITOWOC, WIS. / KINGSBURY PALE	WI	G	
130	E-004-068	PRIMA BEER / CHICAGO PHONE MOHAWK 2300	IL	G	
131	E-004-077	ST. CLAIRE BREWING CO. SAN JOSE, CAL. / ST. CLAIRE BEER	CA	G	
132	E-004-091	THE TACOMA BREWING CO. SAN FRANCISCO, CAL. / DRINK TACOMA BEER	CA	VG	
133	E-004-121	HUMBOLDT MALT & BREWING CO. / HUMBOLDT BEER	CA	G	
134	E-004-176	KOERBER BRG. CO.	OH	VG	
135	E-004-220	COLUMBIA BREWERIES, INC. / ALT HEIDELBERG	WA	VG	
136	E-004-254	GOLDEN WEST BREWING CO. OAKLAND-SAN FRANCISCO-LOS ANGELES / ORDER GOLDEN GLOW BY THE CASE	CA	PO	
137	E-004-296	DRINK WIELAND'S EXTRA PALE / FREDERICKSBURG EXPORT LAGER	CA	G	
138	E-005-UL	(EAGLE IN A) LEE'S DE-LITE BAR ON ROUTE 40-MARSHALL, ILL. IF YOU CAN'T COME IN SMILE AS YOU GO BY	IL	VG	
139	E-005-029	MATHIE RUDER BREWING CO. BREWERS AND BOTTLERS OF TWO FINE BEERS NORTH STAR-RED RIBBON	WI	VG	
140	E-005-037	FORT PITT BEER & ALE OLD SHAY ALE (ONE HORSE SHAY)	PA	VG	
141	E-005-058	PABST BLUE RIBBON BOULEVARD PACKAGE STORE FREE DELIVERY		EX	
142	E-006-008	BURKHARDT'S AKRON, O. SELECT BEER / KEY TO BURKHARDT'S BEER	OH	VG	
143	E-006-020	PUT EASTSIDE INSIDE / SAME	CA	VG	
144	E-006-078	LUCKY LAGER LUCKY LAGER X / SAME	CA	EX	
145	E-006-149	ROCK ISLAND BREWING CO. ROCK ISLAND, ILL. / OLD TAVERN FULL GRAIN BEER	IL	G	
146	E-009-004	VAL. BLATZ BRG. CO. MILWAUKEE, WIS. / BLATZ PRIVATE STOCK LEADS THEM ALL	WI	VG	
147	E-009-004	VAL. BLATZ BRG. CO. MILWAUKEE, WIS. / BLATZ PRIVATE STOCK LEADS THEM ALL	WI	VG	
148	E-009-028	PUT EASTSIDE INSIDE IT'S FRANKERIZED / SAME	CA	G	

January 1997 JFO Auction-Closing February 12, 1997-Name:					
--	--	--	--	--	--

149	E-009-057	HIGHLANDER BEER. / SAME	MT	G	
150	E-009-086	SUPERIOR BREW. CO. FT. WORTH, TEX. / SAME	TX	G	
151	E-009-115	SCHMIDT BREWING CO. DRINK CITY CLUB / SAME	MN	VG	
152	E-009-LOT	(1) CANADA DRY/SAME (2) DRINK GOSMAN'S GINGER ALE/SAME (3) DRINK MOXIE CLEAN/WHOLESOME REFRESHING (G-VG)			
153	E-011-007	KAIER'S SPECIAL BEER, ALE AND PORTER / SAME	PA	EX	
154	E-013-013	MINNEAPOLIS BRG. CO. MINNEAPOLIS, MINN. / "GRAIN BELT BEER" "CANTERBURY ALE"	MN	G	
155	E-014-072	EFFINGER BARABOO	WI	VG	
156	E-014-073	EL DORADO BREWING CO. / VALLEY BREW BEER STOCKTON, CALIF.	CA	G	
157	E-014-082	FAUERBACH CB BEER / FAUERBACH ASK FOR CB	WI	VG	
158	E-014-113	GOLDEN GLOW BEER AND ALE / SAME	CA	VG	
159	E-014-155	DRINK HUDEPOHL BEER / SAME	OH	G	
160	E-014-289	UNITED STATES BREWING CO. CALL FOR GOLD CROWN BEER / UNITED STATES BREWING CO. GOOD OLD RHEINGOLD BEER	IL	VG	
161	E-014-292	VERNON BREWING CO. LOS ANGELES, CALIF. / GOLDEN CREME BEER GOLDEN CREME ALE	CA	G	
162	E-014-296	DRINK WAUSAU BREWING CO. BEER / ADEL BRAU SCHOEN'S OLD LAGER	WI	VG	
163	E-014-324	BLUFF CITY BEER QUALITY BREW SINCE 1882	IL	VG	
164	E-014-326	BOBBIE ALE LIEBRAU BEER / SAME	WI	EX	
165	E-014-351	DREWRY'S SOUTH BEND, IND. / DRINK DREWRY'S ALE-LAGER BEER	IN	EX	
166	E-014-355	EULBERG BREWING CO. PORTAGE, WISCONSIN / CROWN SELECT BEER	WI	EX	
167	E-014-388	MAKE MINE! KARLSBRAU / SAME	MN	G	
168	E-014-432	REISCH BREWING CO. REISCH BEER	IL	EX	
169	E-014-523	MONARCH BEER MONARCH BEER / SAME	IL	EX	
170	E-014-530	OSHKOSH BREWING CO. OSHKOSH, WIS. / OSHKOSH BREWING CO. OSHKOSH, WIS. (NO H)	WI	EX	
171	E-014-816	ROCHESTER BREWING CO. INC. ROCHESTER, NEW YORK / GOLDEN OLD TOPPER ALE-BEER	NY	G	
172	E-014-LOT	E-14S #135-HAMM #157-HYDE-PARK #245-ROYAL #264-SCHMIDT #377-HAMM #788-GRAIN-BELT (VG-EX)			
173	E-014-LOT	E-14S #89-FITGER #127-GRIESEDIECK #133-HAMMS #300-WIEDEMANN #557-STAG #696-ROYAL-BOHEMIAN (VG-EX)			
174	E-014-LOT	E-14S #71-EDELWEISS #91-FLECKENSTEIN #138-HAND #177-LUCKY #208-OLYMPIA #356-FALSTAFF (VG-EX)			
175	E-014-LOT	E-14S #81-FALSTAFF #109-GOETZ #128-GRIESEDIECK #162-KEELEY #289-UNITED-STATES #493-FALSTAFF (VG-EX)			
176	E-014-XX	COLA MOCA ADVENTURE IN GOOD TASTE / SAME		VG	
177	E-014-XX	PEPSI-COLA CINCINNATI	OH	VG	
178	E-014-XX	CROWN CORK SPECIALTY CORP. / 5622 NATURAL BRIDGE ST. LOUIS, MO.	MO	G	
179	E-029-001	PETER DOELGER FIRST PRIZE BREWS / SAME	NY	VG	
180	E-XX-XX	(SIMILAR TO E-19 BUT HANDLE IS BARREL) CRAB ORCHARD BRAND KENTUCKY STRAIGHT BOURBON WHISKEY	KY	VG	
181	F-002-006	NORTH STAR LAGER / RED RIBBON BEER	WI	EX	
182	F-002-006	NORTH STAR LAGER / RED RIBBON BEER	WI	EX	
183	F-002-022	FALSTAFF BEER HARRY S. FLODIN / GOOD CHEER ALL YEAR	MO	EX	
184	F-002-034	RAINIER (IN BOWL) RAINIER OLD GERMAN LAGER / RAINIER LIME RICKEY	WA	EX	
185	F-002-037	DOMANIK, PABST DIST.	WI	EX	
186	F-005-004	LUCKY-DUTCHMANN-BREW "U BET IT'S GOOD" / NATIONAL BROKERAGE CO. 727 W. PRATT ST. PLAZA 1264	WI	G	
187	F-005-015	STONE MALT CO. 232 S. 4TH ST.-37 SPRUCE ST. / OUR VERY BEST HOME RULE-SANDOW "39" MALT RED SUN-SAMBO	OH	VG	

January 1997 JFO Auction-Closing February 12, 1997-Name:

188	F-005-022	MIDDLETOWN CUTRATE MALT CO. 1906 CENTRAL AVE. MIDDLETOWN, OHIO / OUR VERY BEST HOME RULE-RED SUN- SAMBO SANDOW "39" MALT	OH	G	
189	F-005-XX	DRINK WHISTLE / WENNER'S BEVERAGES -DIAL 4215-		VG	
190	F-006-010	SCHEMM BREWING CO. / THE BEER OF QUALITY		G	
191	F-006-XX	DRINK CASCADE GINGER ALE / SAME		G	
192	F-007-003	PETER BUB BREWERY INC. WINONA, MINN. SAY BUB'S BEER TIME HONORED FOR OVER 90 YEARS (RED HANDLE)	MN	VG	
193	F-017-001	ADEL BRAU / SCHOENS	WI	EX	
194	F-020-001	STORZ ENJOY IT'S BITTER-FREE FLAVOR / YOUR FAVORITE BRAND (MINIMUM BID \$50)	NE	M	
195	F-022-XX	TUNNY FISH-SARDINES-ANCHOVIES-IMPORTED FROM ITALY- / ANGELO PARODI FUBMEO GENOVA (ITALY)		G	
196	F-022-XX	SEEMAN BROTHERS INC. N.Y.C./IMPORTERS-FANCY SARDINES	NY	G	
197	F-027-XX	-GROCERS- ICE & COLD STORAGE CO. / PICK OUR ICE IT'S PURE		G	
198	G-002-005	HARVARD BEER ALE PORTER	MA	VG	
199	G-003-003	HAMM'S BEER "LEADS THEM ALL"	MN	VG	
200	G-004-014	TAVERN PALE	IL	G	
201	G-005-006	LION EXPORT BEER CINCINNATI, O. (KEY HOLE DRILL IN HANDLE)	OH	VG	
202	G-009-018	SCHMIDT'S CITY CLUB BEER (BLACK ON RED)	MN	VG	
203	G-009-025	STEGMAIER BREWING CO. WILKES BARRE, PA. / STEGMAIER'S GOLD MEDAL BEER (GOLD ON RED)	PA	VG	
204	G-009-028	TUBE CITY BEER (BLACK ON RED)	PA	EX	
205	G-009-041	"WHITE CAP BEER" (WHITE ON RED)	WI	G	
206	G-009-XX	PURITY DRUG BUTTE'S NEWEST & BEST (WHITE ON RED)	MT	M	
207	G-028-LOT	G-028S #12-MILLER #15-PABST #16-PABST (MINT)	WI	M	
208	G-034-XX	ROTHCO PALE DRY THE ROTH & CO. MIDDLETOWN, O. MIL-COA FOR HEALTH	OH	VG	
209	H-000-LOT	H-2-37-SCHMIDT H-2-42-TRU-BLU H-2-42-TRU-BLU H-3-6-EDELWEISS H-3-15-IRON-CITY H-3-22-SCHLITZ (VG)		VG	
210	H-002-027	MONARCH BRG. CO. CHICAGO MONARCH BEER	IL	VG	
211	H-002-071	THE QUEEN CITY BREWING CO. CUMBERLAND, MD. THE ORIGINAL CUMBERLAND OLD GERMAN BEER	MD	G	
212	H-004-XX	CHECKERS A HEALTHFUL POPCORN CONFECTION ANGELUS MARSHMELLOWS		G	
213	H-008-003	DUQUESNE (REST IN HANDBOOK)	PA	G	
214	H-008-015	SCHLITZ (REST IN HANDBOOK)	WI	VG	
215	H-011-001	ADLER BRAU	WI	VG	
216	H-011-001	ADLER BRAU	WI	VG	
217	I-000-LOT	I-1-2-GRAIN BELT I-3-2-BUDWEISER I-4-36-HAMMS I-11-41-E&B I-11-56-FITGER I-11-115-OSHKOSH I-12-38-HAMMS I-12-60-LUCKY I-12-76-REGAL I-12-187 AUGUSTINER (VG-EX)			
218	I-000-LOT	I-7-4-A-B I-13-8-COORS I-13-20-HAND I-13-23-HAND I-13-26-HUDEPOHL I-13-50-RAMS-HEAD I-16-4-BUB I-22-6-ERIN-BREW I-22-24-TAVERN-PALE (VG-EX)			
219	I-007-007	HANDY WAY TO ORDER BALLANTINE'S ALE-BEER (HAND & 3 RINGS)	NJ	VG	
220	I-007-016	FOX DELUXE BEER	IL	EX	
221	I-007-028	DRINK THE FAMOUS NEW ENGLAND ALE IN DOUBLE-LINED CANS	MA	EX	
222	I-008-002	NORTHAMPTON BREWERY CORP. NORTHAMPTON, PA. TRU-BLU BEER AND ALE	PA	EX	
223	I-009-001	WALDORF / ALE & LAGER	OH	VG	
224	I-011-LOT	I-11S #8-ATLAS #11-BALLANTINE #22-BURGERMEISTER #36- COORS #139-SCHOENHOFEN #140-SCHOENHOFEN #148-TIVOLI #166-CHAMPAGNE VELVET #204-OERTEL #226-W VA (VG-EX)			

January 1997 JFO Auction-Closing February 12, 1997-Name:

225	I-011-LOT	I-11S #6-A-B #18-BUCKEYE #19-BUDWEISER #39-DREWRY #138-SCHMIDT #185-IRON CITY #222-TAVERN PALE #266-LONE STAR #336-FALSTAFF #345-OLD GERMAN (VG-EX)			
226	I-012-LOT	I-12S #9-BOSCH #30-GRAIN BELT #35 HAMMS #39 HAMMS #49-INTERNATIONAL #81-SCHAEFER #92-STORZ #98-WIEDEMANN #114-GOEBEL #131-PFEIFFER (VG-EX)			
227	I-017-LOT	I-17S #9-ATLAS #17-FIESTA #42-GENESEEE #48-GOEBEL #58-HAMM #59-HAMM #105-REGAL #146-YUSAY #164-GOETZ #218-MEISTER-BRAU #235-STROH #245-FALSATFF (VG-EX)			
228	I-020-001	ADLER BRAU APPLETON BEER	WI	VG	
229	I-020-006	HAMM'S BEER / FROM THE LAND OF SKY BLUE WATERS (PLAIN LOGO)	MN	VG	
230	I-021-001	STEGMAIER BREWING CO. WILKES-BARRE, PA. / STEGMAIER GOLD MEDAL BEER	PA	EX	
231	J-000-LOT	J-1-9-SCHMIDT(COPPER) J-1-10-GLUEK J-5-14-HAMMS J-5-55-FALSTAFF J-5-56-FEHRS J-5-72-ATLAS J-5-72-ATLAS J-6-3-ATLAS J-6-33-TAVERN-PALE (VG-EX)			
232	J-009-001	ADOLPH COORS COMPANY GOLDEN, COLO. U.S.A. COORS AMERICA'S FINE LIGHT BEER	CO	VG	
233	K-002-005	REGAL BEER (GREEN PAINT)	LA	EX	
234	L-001-007	SCHLITZ	WI	EX	
235	L-002-005	COMPLIMENTS ELDRIDGE BREWING CO. ALE & LAGER BEER BREWERS PORTSMOUTH, N.H.	NH	VG	
236	L-002-XX	PEPPER DISTILLERY HAND MADE SOUR MASH ESTABLISHED 1790 JAS.E.PEPPER & CO. LEXINGTON, KY.	KY	G	
237	L-002-XX	PEEBLES OLD CABINET WHISKEY 1840 TRADE MARK CINCINNATI, O.	OH	G	
238	L-004-002	BALLANTINE EXTRA FINE BEER	NJ	EX	
239	L-004-040	PITTSBURGH BREWING CO. IRON CITY LAGER (STUBBY BOTTLE-BLACK)	PA	VG	
240	L-004-046	CARLINGS BLACK LABEL BEER	OH	G	
241	M-000-LOT	ALL BALLANTINE M-10-1 M-1-2 M-12-2 M-12-2 (G-VG)	NJ		
242	M-001-005	HARVARD BREWING CO. LOWELL, MASS. HARVARD ALE / HARVARD BREWING CO. LOWELL, MASS. HARVARD BEER (VAR (B) BEER ON FRONT ALE ON BACK)	MA	G	
243	M-001-006	THE HUDEPOHL BREWING CO. CINCINNATI, OHIO FINE HUDEPOHL BEER / SAME	OH	PO	
244	M-001-013	S. LIEBMANN'S SONS CONQUEROR (SLS IN LOGO) BEER (BOTTLE) / CONQUEROR (SLS IN LOGO) BEER ALL THE MATERIALS USED IN THE BEER IMPORTED	NY	VG	
245	M-001-014	S. LIEBMANN'S SONS RHEINGOLD BEER (BOTTLE) / RHEINGOLD BEER (SLS IN LOGO)	NY	VG	
246	M-001-016	OLD COLONY BREWING CO. BOSTON OLD COLONY BREW ('O' 'C' IN LOGO) STOUT BOCK AND PALE / SAME	MA	VG	
247	M-001-021	KING'S PURE MALT CO. BOSTON KING'S BOHEMIAN VIENNA TYPE MALT BREW / KING'S PURE MALT CO. BOSTON KING'S PUREMALT THE MASTER BODY BUILDER	MA	VG	
248	M-001-023	OLD COLONY BREWING CO. BOSTON. PRINCE OF PILSEN BREW FAMOUS ON TWO CONTINENTS. / SAME (FRONT EX BACK G)	MA	VG	
249	M-001-UL	HAFFENREFFER & CO. BREWERS SINCE 1870 PICKWICK ALE AMERICA'S FINEST ALE / HAFFENREFFER & CO. BOSTON BREWERS SINCE 1870 PICKWICK STOUT (#3 HAS INC. UNDER HAFFENREFFER-NO INC ON THIS OPENER)	MA	VG	
250	M-002-004	HARVARD BEER ('HARVARD EXPORT BEER' ON BOTTLE) / SAME	MA	G	
251	M-002-008	HARVARD ALE AND LAGER HARVARD AS OF YORE ('HARVARD' ON BOTTLE) / SAME	MA	EX	
252	M-002-011	WIELAND'S EXTRA PALE (SEE HANDBOOK FOR REST)	CA	PO	
253	M-002-013	CANANDAIGUA HIGH HOPPED ALE ('CANANDAIGUA HIGH HOPPED ALE J & A MCKECHNIE BRG CO BREWERY BOTTLING' ON BOTTLE) / SAME	NY	VG	
254	M-002-017	THE CROWN BR'G CO. CINCINNATI HAPPY DAYS BEER ('HAPPY DAYS BEER THE CROWN BREWING CINCINNATI' ON BOTTLE)	OH	PO	
255	M-003-005	EDELWEISS BEER (GREEN)	IL	VG	
256	M-003-011	THE CUMBERLAND BREWING CO. / CUMBERLAND, MD. / OLD EXPORT BEER (OTT/BLACK)	MD	G	

January 1997 JFO Auction-Closing February 12, 1997-Name:					
--	--	--	--	--	--

257	M-003-012	GERMAN BREWING CO. (OTT/RED)	MD	G	
258	M-003-013	PHILADELPHIA BREWING CO. OLD STOCK BROWN GLOW (RED)	PA	VG	
259	M-003-016	BARBEY'S SUNSHINE BEER) (REG/YELLOW)	PA	VG	
260	M-003-032	GERHARD LANG BREWERY / BUFFALO, N.Y. / LANG'S OLD GERMAN (RED ON BLACK) (ABOUT 20% PAINT)	NY	G	
261	M-003-XX	DRINK MOXIE 100% / THE HOME OF MOXIE / FRANK ARCHER INVITES YOU TO VISIT MOXIELAND AND		VG	
262	M-003-XX	COMPLIMENTS OF THEO. DE WITT DE WITT (GREEN)		VG	
263	M-025-001	DRINK LEMP ST. LOUIS	MO	G	
264	M-033-001	DREWRY'S BEER / BIG D (PIERCER TIP FILED)	IN	G	
265	M-039-008	INTERNATIONAL BREWERIES INC. DETROIT, MICH. BUFFALO, N.Y. TAMPA, FLA. FINDLAY, OHIO (IBI LOGO) / INTERNATIONAL FAMILY OF FINE BEERS IROQUOIS FRANKENMUTH SILVER BAR OLD DUTCH	NY	VG	
266	M-045-001	JOHN GRAF CO. / JAMAICA PALE DRY GINGER ALE	WI	VG	
267	M-065-UL	FALSTAFF BEER SILVA DISTRIBUTING CO. KREBS, OKLA. HALF-INCH CRACK IN ICEPICK END OF HANDLE)	OK	VG	
268	MISC-XX	C-34 SQUIRT, G-13 TRINK COCA-COLA, C-14 CANADA DRY, P-53 QUALITY HOUSE WINES & LIQUORS (ALL VG-EX)		VG	
269	N-002-001	DRINK DIXIE BEER	LA	EX	
270	N-009-UL	THE BREWER AND MALTSTER BREWING INDUSTRY'S LEADING JOURNAL FOR 54 CONSECUTIVE YEARS CHICAGO	IL	G	
271	N-010-XX	RUM CARIOCA 86 PROOF PUERTO RICAN RUM & DANCES WITH FLAVOR SCHENLEY IMP. CORP., N.Y., N.Y.	NY	EX	
272	N-011-XX	VISIT THE SF HILTON'S GRAPE & GRAIN LIQUOR DISPENSARY	CA	VG	
273	N-011-XX	1900--1950 SHARON STEEL OUR 50TH YEAR		EX	
274	N-029-003	DRINK HOMESTEAD BEER	PA	VG	
275	N-030-007	POINT SPECIAL PREMIUM BEER	WI	M	
276	N-065-003	MICHELOB (EAGLE IN A)	MO	EX	
277	N-065-XX	ENJOY COCA-COLA	GA	EX	
278	O-003-001	VALLEY FORGE BEER (MINT IN BOX)	PA	M	
279	O-005-005	GRAND PRIZE LAGER BEER	TX	VG	
280	O-005-015	STEGMAIER'S GOLD MEDAL BEER WILKES-BARRE, PENNA.	PA	EX	
281	O-005-UL	ROLLING ROCK (WITH BOX-NEWLY MADE)	PA	M	
282	O-009-001	STEGMAIER GOLD MEDAL BEER WILKES-BARRE, PA. (MIB)	PA	M	
283	P-001-002	ANHEUSER BUSCH	MO	G	
284	P-007-XX	GOLDEN WEST SODA WORKS SOMPS & PAILLET SF CAL (WORN)	CA	PO	
285	P-008-024	MCAVOY BREWING CO. CHICAGO / MALT MARROW	IL	VG	
286	P-008-073	WM. J. LEMP BREWING COMPANY ST. LOUIS MO. / SAME	MO	VG	
287	P-008-122	CONRAD SEIPP BREWING CO. / EXTRA PALE.	IL	EX	
288	P-012-XX	YOUNG'S LUNG BALSAM AT ALL DRUGGISTS		G	
289	P-019-XX	CLAIR LIQUOR CO. WINES, LIQUORS & CIGARS TOLEDO, OHIO	OH	G	
290	P-020-003	"BLATZ MILWAUKEE BEER" / BOTTLE BOY	WI	PO	
291	P-022-XX	KOLA AN IDEAL BEVERAGE / KOLA REFRESHING INVIGORATING		PO	
292	P-057-006	SCHLITZ BEER (SCHLITZ GLOBE) / SCHLITZ MILWAUKEE U.S.A. (SCHLITZ GLOBE)	WI	G	
293	P-057-017	MINNEAPOLIS BREWING COMPANY (M IN SEAL) / MINNEAPOLIS, MINN. U.S.A	MN	EX	
294	R-001-002	INTERNATIONAL BREWERIES INC. (REST IN HANDBOOK)	NY	VG	
295	R-003-001	IROQUOIS BEV. CORP. (ON 3 LINES-MAGNESIUM INDIAN)	NY	VG	

JUST FOR OPENERS

19TH ANNUAL CONVENTION REGISTRATION
APRIL 23-27, 1997

LORD AMHERST MOTEL
Rte 5 & I-90
Amherst (Buffalo), NY 14226
1-716-839-2200

(Rate is \$55.00/Single \$62.00/Double \$69.00/Triple \$76.00/Quad)
(Motel has 2 Floors and Guaranteed Reservation must be made 1 month prior to Convention)
(Check-In Time is 2:00 and Check-Out Time is 1:00)
(Tell them you are with the Just For Openers Group)

MAKE WESTERN NEW YORK YOUR NEXT STOP ON THE JFO CONVENTION TRAIL.

MEMBER REGISTRATION FEE - **\$40.00**
(INCLUDES HOSPITALITY ROOM, CONVENTION OPENER & ONE SHOW TABLE)

NAME _____

ADDRESS _____

CITY _____ STATE(PROVINCE) _____ ZIP _____

EVENING PHONE NUMBER _____

DATE YOU WILL ARRIVE _____ APPROXIMATE TIME _____

DATE YOU WILL LEAVE _____ (NEED TO KNOW FOR PLANNING PURPOSES)

HOW WILL YOU ARRIVE? CAR ___ PLANE ___ TRAIN ___ OTHER _____

NAME(S) FOR CONVENTION BADGE: _____

WOULD YOU LIKE A GUIDED TOUR OF NIAGARA FALLS (EXTRA CHARGE)? _____

MAKE CHECKS PAYABLE TO YOUR CONVENTION HOST (Mark Barren) FOR 1997

Mark Barren
6141 Tachi Dr
Newfane, NY 14108-9517
PHONE (716) 778-9724

***** BRING A DISPLAY !!! *****
(How Large is Your Display? _____)

Buffalo, NY
April 23-27, 1997

The Place
to be for
Camaraderie,
Openers &
Corkscrews

Contact
Mark Barren