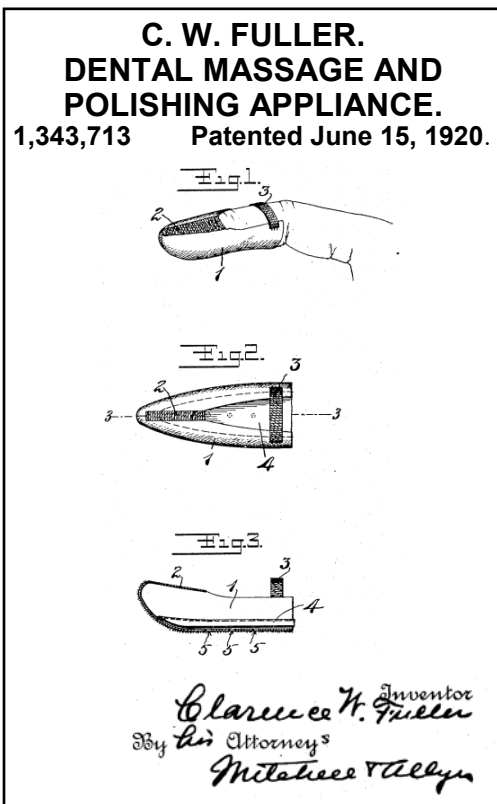


Retired Dentist Tags Opener A Gilhoolie

Clarence W. Fuller By Don Thornton

Clarence W. Fuller's oddest invention was a finger device to massage gums and polish teeth. In the treatment of gum disease, Fuller said in his patent application, "it is essential to stimulate the circulation in the gums and this can be accomplished save by some special means other than a tooth brush."

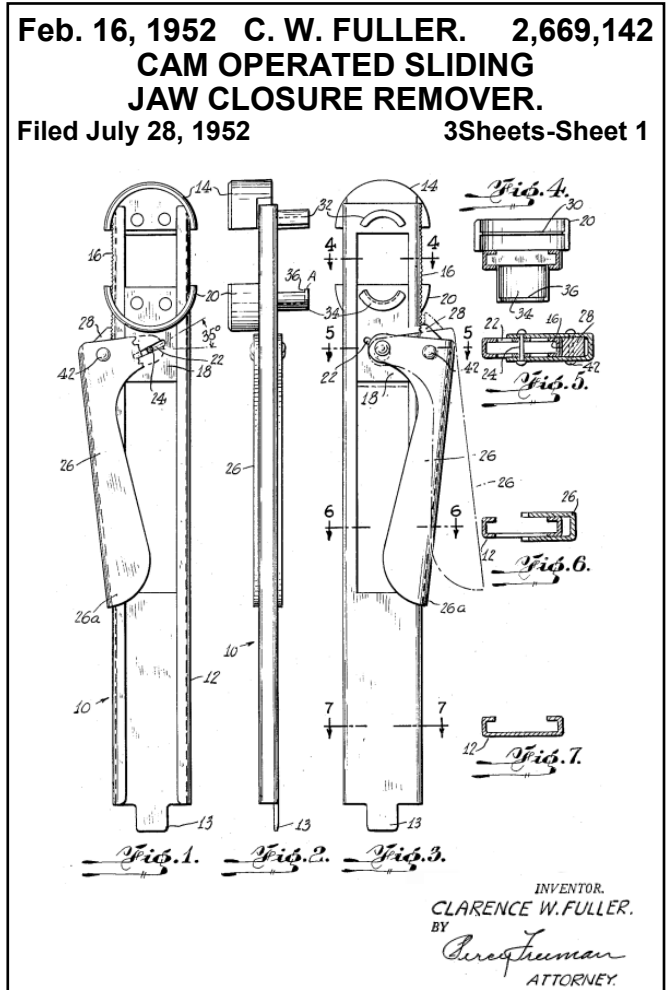
Placed on a finger, he said, his device was "specially designed to excite the desired circulation without injury to the tissues" and at the same time "effectively clean and polish the teeth." He was granted Patent No. 1,343,713 on June 15, 1920 for his "dental massage and polishing appliance."



Considering Fuller was a practicing Yonkers, New York dentist, the finger massager isn't that odd. From 1920 to 1945, he had at least five dental related patents, including three for toothbrushes.

Fuller was retired from dentistry when he moved into the kitchen invention world in 1952. It was on July 28 of that year when he applied for a patent for a "jar and bottle cap

opener and sealer" that resulted in the "Gilhoolie." He was granted Patent No. 2,669,142 on February 16, 1954 for his combo device.



Just For Openers January-December 2025 2

Retired Dentist Tags Opener A Gilhoolie

Clarence W. Fuller By Don Thornton

Examples of the all-metal, nearly 9-inch device are marked: **GILHOOOLIE** on the lock handle and **PAT. NO. 2669142 OTHERS PEND RISWELL, INC. GREENWICH, CT** on the end of the main frame.



Retired Dentist Tags Opener A Gilhoolie

Clarence W. Fuller By Don Thornton

Fuller said that in addition to opening screw-type jars, another “important function of this device is to remove crown caps from beer bottles and bottles of other carbonated water and beverages.” He also said his device’s jaw top could “refasten crown caps ... time and time again, and on each occasion a perfect seal will be effected.”

It is not known how the device got its Irish surname, but it attracted early publicity. *Mechanix Illustrated* magazine (1928-2001 with various name changes) in the March, 1953 issue named it “This Month’s Prize Gadget” and awarded Fuller with a full-page feature and a \$50 prize.



**GILHOOLIE
JAR & BOTTLE
OPENER**

\$2.95

The fine precision instrument that removes all caps and lids off bottles and jars with ease and without distorting. Makes it easy to reseal. Saves foods.

Amazing New GILHOOLIE

Opens the Most Stubborn Jar or Bottle Top Without Effort
(reseals, too)



Only \$2.95

Open and reseal every and any jar or bottle top with amazing new Gilhoolie opener! Try it just once on the most stubborn jar or bottle top. You'll agree it's the one indispensable home aid. See tight-stuck screw tops give way easily to its gear-locked non-slip grip—caps and lids removed so neatly, contents are completely resealed without difficulty. Stainless Steel and gold anodized dural ... a handsome accessory, wonderful gift!

Reseals bottle caps completely.

Unseals easily without distorting lid.

Opens screw tops of all sizes.



**Gilhoolie-
JAR OPENER** gadget

WIN \$50

Dreamed up a neat gadget? If you've pretty keen about that put product of yours, get busy and work it out in your shop. Then send pictures and a description of your invention to the Gadget Editor, *Mechanix Illustrated*, 87 West 44th Street, New York 36, N. Y. Each month the best entry gets a cash prize of \$50.

A retired Yonkers, N. Y. dentist, C. W. Fuller, has filled a prescription for opening stubborn bottle tops, caps and corks with his new invention called the Gilhoolie. It even can be used for some corks such as stoppers on champagne bottles. The Gilhoolie is a 10-ounce gadget of heavy chrome plate which can be opened to accommodate a bottle or jar cap up to four inches in diameter. When the handle is squeezed, grips are forced against the cap, holding it tightly. It is so easily applied "a child can use it," asserts Dr. Fuller, whose invention has won him MIT's \$50 prize. It is manufactured by the Riswell Company, N. Broadway, Yonkers, N. Y. •

Dr. Fuller uses Gilhoolie on jar, lid. Gadget opens soda bottle and it will also reseal cap, below, to insure freshness of liquid.

Gilhoolie is handy for opening jars with pry-off caps. Wedge on handle end is inserted beneath cap, twisted and off comes cap.

The feature said in part:

“The Gilhoolie is a 10-ounce gadget of heavy chrome plate which can be opened to accommodate a bottle or jar cap up to four inches in diameter. When the handle is squeezed, grips are forced against the cap, holding it tightly. It is so easily applied ‘a child can use it,’ asserts Dr. Fuller.”

Mechanix Illustrated Gadget of the Month, March 1953