

Coin Controlled Cap Remover

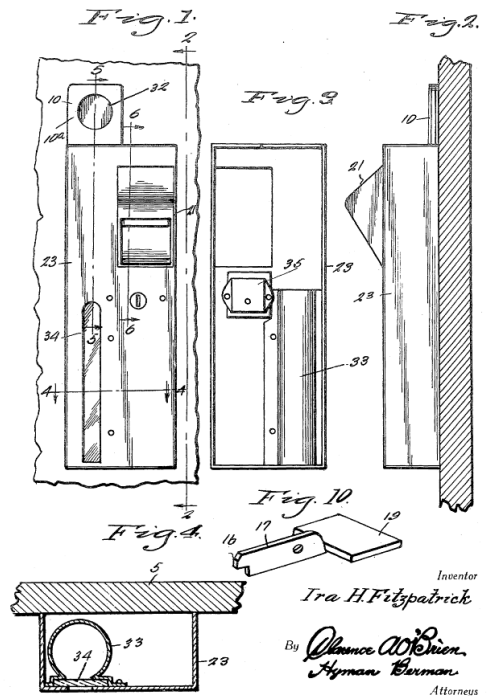
Ira H. Fitzpatrick By John Eblen

Back in the late 1930's there must have been a growing need in the marketplace for small rural grocery stores and county food markets, to have a solution of solving the limited floorspace problem for accommodating the rather large electric soda coin dispensers to offer cold beverages to their customers. Ira H. Fitzpatrick (inventor) of Austin Texas somehow realized this dilemma and tackled it head-on. He came up with an idea which was patented on November 14, 1939 for his coin control cap remover (patent 2,179,883). Once the patent was secured he started the **PAY-Pull Mfg. Company** and setup shop in San Antonio, Texas. His idea was a simple pay device which required patrons to deposit a coin, equivalent to the price of the drink, in which a security device blocking a bottle opener

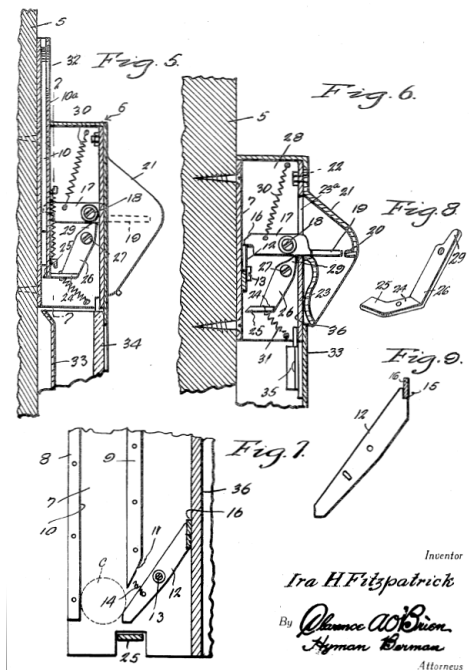
would be disabled permitting the opener to be accessed for removal of the crown cap. This small device could be attached anywhere including existing ice tubs or cold storage boxes holding the bottled beverages without taking up any additional room. Additionally patrons could pay for the drink easily while not bothering the store keeper for assistance if his cold beverages were located outside the confines of the store. Total sales could easily be tallied up by emptying the contents of the coin box referenced against missing bottles at the end of the day.



Nov. 14, 1939. I. H. Fitzpatrick 2,179,883
COIN OPERATED CAP REMOVER
Filed Jan. 9, 1941 Sheet 1



Nov. 14, 1939. I. H. Fitzpatrick 2,179,883
COIN OPERATED CAP REMOVER
Filed Jan. 9, 1941 Sheet 2



Coin Controlled Cap Remover

Ira H. Fitzpatrick By John Eblen

It's not known how many of these devices were sold, but apparently Mr. Fitzpatrick's novel idea caught the eye of Isaac O. Gilbert who purchased the PAY-PULL Company and the original patent around 1948. Mr. Gilbert enlisted the help of the Southwest Research Institute to help improve on the original patented design. The story was picked up and featured in a 1948 Popular Mechanics Magazine. The vast improvement over the earlier design, besides the inner mechanical workings, was it collected the money as well as the removed crown caps to verify total sales. Once the new design was conceived, Mr. Gilbert patented it in 1951 (patent 2,556,268) and wasted no time to market it. His patent claims for its use were the purpose of a coin operated bottle opener is to eliminate the installation of expensive dispensing equipment for small stores, garages, and the like. These novel little machines lasted to about the late 1950's as smaller stores began to disappear and the price of soda rose above 5 cents completely eliminating them all together. Not many of these pay openers can be found today and are quite rare with Ira Fitzpatrick's being the hardest to find.



The Institute of Inventive Research has been busy during its short life and so has its companion, the Southwest Research Institute. One job this organization did for a client was to develop a coin-operated bottle opener for attachment to the side of a soft-drink refrigerator.

Instead of using an expensive soft-drink dispenser that is coin-operated and holds only one brand of refreshment, many gas stations and stores place their soft drinks in an unlocked icebox. Customers help themselves and a forgetful one sometimes neglects to pay for his drink. The coin-operated bottle opener takes care of this automatically. The customer picks up his cold drink and then places a coin in the opener device. The coin allows the blade to slide down into place where it remains until a bottle has been inserted and the cap has been removed; then the blade is retracted until another coin is deposited in the opener.



DO You sell to service stations, grocery stores and other soft drink retailers? New, fully patented device makes coin vendor of any soft drink box. Sell and deliver complete unit; make \$5 or more net on every \$12.50 unit sale. Carry as sideline or full time. This machine supported by national advertising. Salesmen and distributors wanted. Write or wire for details on open territories. Pay-Pull Mfg. Co., Dept. P, 720 San Pedro Ave., San Antonio, Texas.

Just For Openers January-December 2025 3

Coin Controlled Cap Remover

Ira H. Fitzpatrick By John Eblen

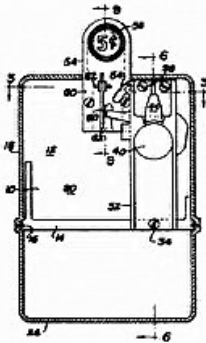
2,556,268

COIN-OPERATED BOTTLE OPENER

Isaac O. Gilbert, San Antonio, Tex., assignor, by mesne assignments, to Pay-Pull Manufacturing Co., Inc., San Antonio, Tex., a corporation of Texas

Application March 27, 1948, Serial No. 17,517

14 Claims. (Cl. 81-3.1)



1. In a coin operated bottle opener; a frame, a projection of said frame to receive the capped end of a bottle, a cap engaging member movably mounted adjacent said projection and normally positioned outside the limits thereof, and means consisting of a coin guide and a lever in said guide interlocking with said cap engaging member and operated by the weight of a coin in contact with said lever for moving said member toward said projection to engage a cap on a bottle on said projection.

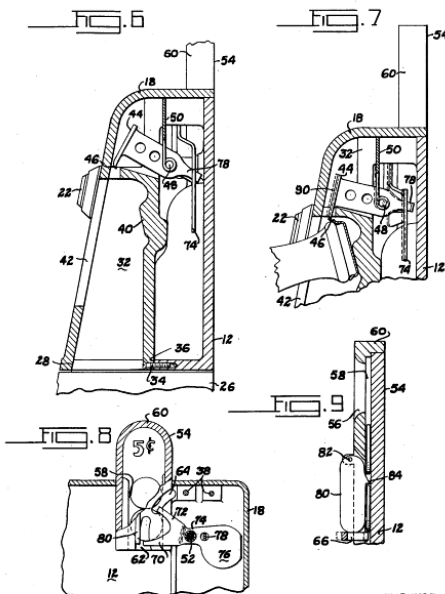
June 12, 1951

I. O. GILBERT
COIN OPERATED BOTTLE OPENER

2,556,268

Filed March 27, 1948

2 Sheets-Sheet 2



INVENTOR
ISAAC O. GILBERT
BY
Toulmin & Toulmin
ATTORNEYS

Gilbert's original 1948 Patent (left) and his new design 1951 Patent (below and bottom left).

June 12, 1951

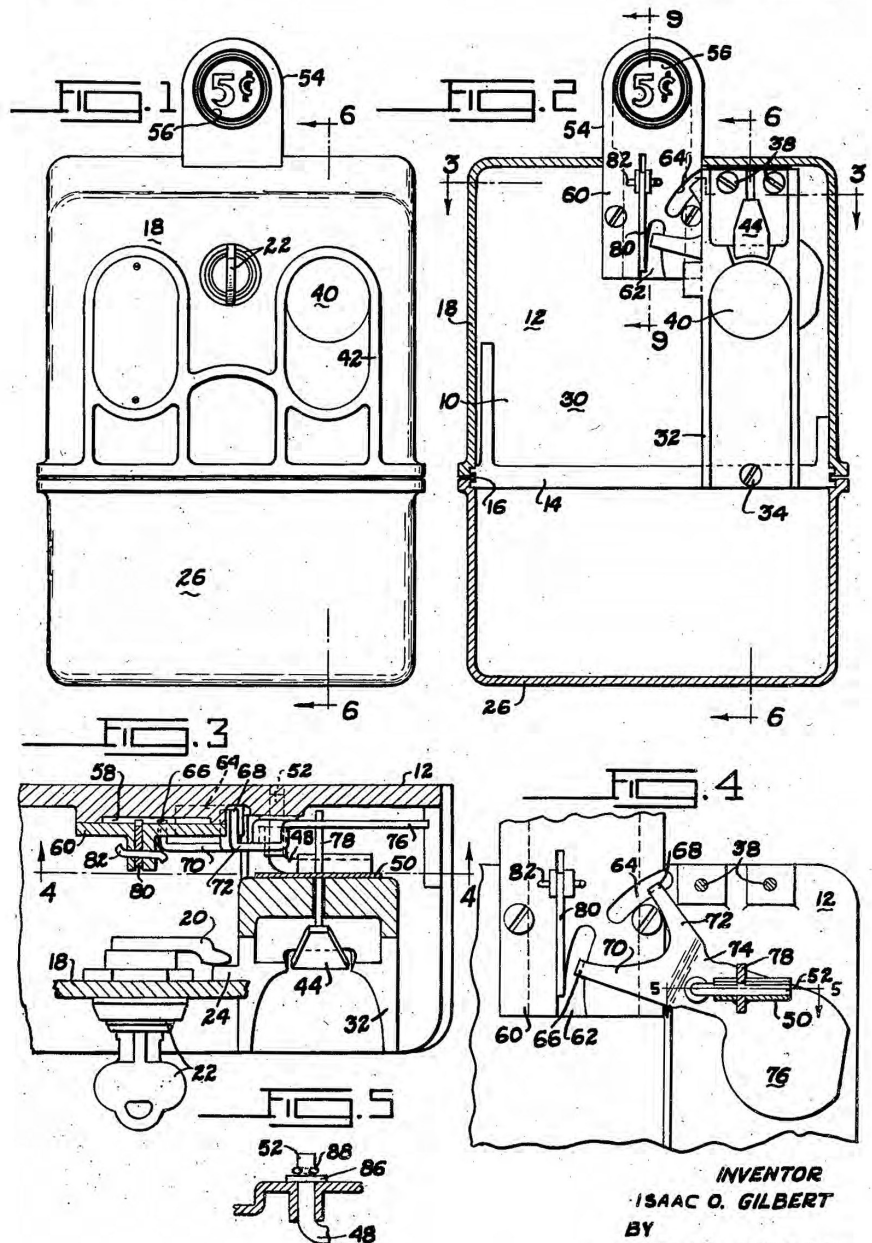
I. O. GILBERT

2,556,268

COIN OPERATED BOTTLE OPENER

Filed March 27, 1948

2 Sheets-Sheet 1



INVENTOR
ISAAC O. GILBERT
BY
Toulmin & Toulmin
ATTORNEYS