

Just For Openers January-December 2025 1

Gilbert P. Coates' Screwdriver

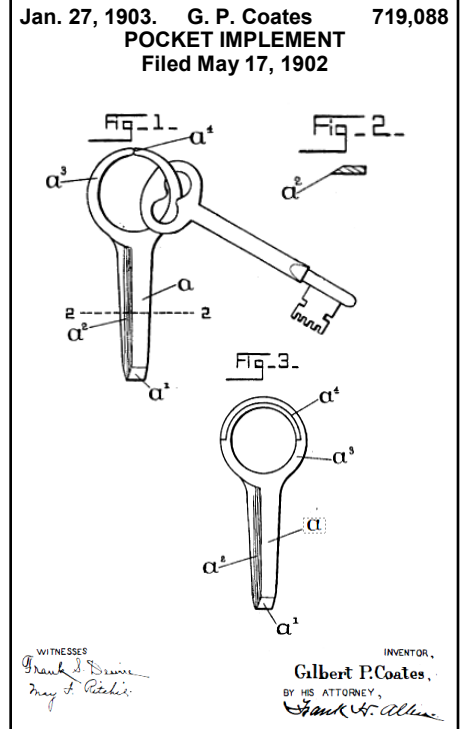
Sires "Triplet" Bottle Opener By Don Thornton

Gilbert P. Coates was granted Patent No. 719,088 on January 27, 1903 for what he called a "pocket implement." The object of his invention, he said in his patent papers, "is to provide in one integral piece of metal an implement that may serve the triple offices of key-ring, screw-driver, and letter-opener..."

The Uncasville, Connecticut resident also said his little device could be branded. "The flat side portions may be utilized as advertising media by imprinting any desired reading matter thereon, and the complete implement being carried in the pocket is always within convenient reach when needed."

Something happened after the "pocket implement" left the patent stage and manufacturing began – a hook bottle opener was added to the base of the key-ring/screwdriver/letter opener.

An example of the 3-inch long by just over 1-inch wide device is branded on one side: **USE WILLIAMS SHAVING SOAP**, and on the other: **KEY TO SAFE EASY SHAVING**. The base of the round key ring is marked: **PAT. JAN. 27, 03**. Another example is marked: **LOS ANGELES ICE MACHINE WORKS** on one side and on the other: **LOS ANGELES, CAL**. An unbranded version is marked in the circle on one side: **G. P. COATES CO. M'F'RS. NORWICH, CONN.** with the patent date on the other.



The hook addition obviously was made by Coates, as it was his firm, G. P. Coates Company of Norwich, Connecticut that manufactured the device. Coates called it the "Triplet" tool and offered it to the trade in an announcement in *Hardware Dealer's Magazine* in May 1906, saying in part, "The device sells for a dime at a good profit to the dealer."

The ad also stated: "If desired, a firm's advertisement can be cut into the tool, thus making a good advertising novelty." Another 1906 ad promised: "You don't have to carry a kit of tools if you have a Triplet in your pocket."

Just For Openers January-December 2025 2

Gilbert P. Coates' Screwdriver

Sires "Triplet" Bottle Opener By Don Thornton



G. P. COATES CO.
 MANUFACTURERS OF
THE TRIPLET AND THE MAN-I-Q.
 Norwich, Conn., U. S. A.

THE TRIPLET Combination Pocket Tool for holding Keys, Opening Letters, Removing Crown Caps from bottles, Turning Screws and for various uses.

" You don't have to carry a kit of tools if you have a Triplet in your pocket."

The MAN-I-Q. A dainty little Manicuring Tool—different from other makes, being so constructed no case is necessary to carry it in, to prevent the nail cleaning point from cutting the pocket. Notice the Good File on them—how it cuts—and the width of it. Sample Triplet and Man-I-Q., post-paid for 15c. A sample dozen, post-paid, 75c. Descriptive Circulars, prices and full particulars to dealers. Ask your Jobber for them.

The "Triplet" Tool

G. P. Coates Co., Norwich, Conn., are offering the trade the "Triplet" tool, illustrated. It can be used for various purposes, such as taking the cork out of a wide-mouthed bottle,



THE "TRIPLET" TOOL

removing the cover from paint or varnish cans, opening cigar boxes, opening a watch case, as a key holder, as a screw driver, a paper cutter and a bottle cap remover. It is made of tool steel. If desired, a firm's advertisement can be cut into the tool, thus making a good advertising novelty. A dozen "Triplets" are attractively mounted on an artistic easel card, printed in two colors. Some of the uses to which the tool can be put are printed on the display card. The device sells for a dime at a good profit to the dealer.



THE "TRIPLET" TOOL

THE MAXWELL / FERNALD AUTOMOBILE CO. AGENTS FOR COLORADO, WYOMING & NEW MEXICO - DENVER COLO.

(Match Striker and Milk Bottle Opener) L. A. HERALD 2C CLEAR, CRISP & CLEAN BY MONTH 40C

Gilbert P. Coates' Screwdriver

Sires "Triplet" Bottle Opener By Don Thornton

JULY 16, 1903

Prize Puzzle

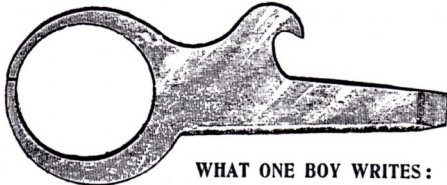


WHO IS IT?

This is one of the Presidents who always used
Williams' Shaving Soap

How many bright boys and girls can tell who it is?

To any one sending the correct name, with a 2-cent stamp to cover cost of mailing, we will forward, post-paid, a most useful and ingenious pocket novelty in the shape of key-ring, letter-opener, paper-cutter and screw-driver combined, an article that every man and boy will find many uses for every day. Handy for the chauffeur, the bicyclist, for opening small boxes, watch-cases, for automatic air-valves, etc.



WHAT ONE BOY WRITES:

"Please send me another Triplet. The one I received is just the thing I needed. I ride a bicycle, and the Triplet is splendid for tightening screws and nuts. The reason I want another is, my brother is in love with mine and offered me a quarter if I would get him one."

Address Dept. 41.

The J. B. Williams Co., Glastonbury, Conn.

I'm a Good Mixer

CANADIAN GRENADIER

Place 2 large tablespoons of vanilla ice cream in a tall glass, then fill the glass with "Canada Dry." Garnish with red cherries cut in circlets.

HAWAIIAN NECTAR

Combine 1 cup of fresh pineapple juice with the juice of 1/2 lemon and 1 lime. Stir in 1 large teaspoon powdered sugar. Pour in tall glass and fill with "Canada Dry." Add tiny balls of pineapple or other fresh fruit garnishing. (Portion for 1 person).

CONTINENTAL PUNCH

Combine a quart of grape juice and a pint of orange juice with a half cup of sugar, a third cup of lemon juice, eight sprigs of crushed mint, and four bottles of "Canada Dry." Add two quarts of crushed ice; mix and serve garnished with mint. (Courtesy of Ida Bailey Allen).

"CANADA DRY" NIGHT CAP

Try this refreshing drink just before retiring. Squeeze the juice of 1/2 lime into a tall glass. Pour in "Canada Dry" thoroughly chilled.

Betty Beldon

"CANADA DRY"
REG. U. S. PAT. OFF.



The Champagne
of Ginger Ales

