

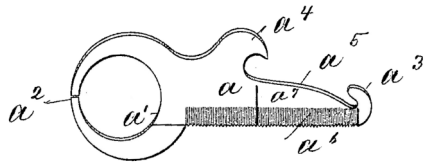
# Just For Openers January-December 2025 1

## Millionaire Manufacturer's Handy Pocket Companion By Don Thornton

Julius T. Rosenheimer was a wealthy New York City merchant who introduced American-made needles and pins to Americans. In the 1890s, he was president of the London Needle Company in New York City and launched the first successful U.S. needle making concern to compete with European factories that had until then maintained a world monopoly.

A good part of the phenomenal success of the London Needle Company could be attributed to Rosenheimer's hard work and shrewd business sense. In addition to his marketing talents, Rosenheimer was a part-time inventor with a light touch. That touch came through when he gave his firm's needles the brand name "CANTBENDEM," a name he was so proud of he obtained a trademark for it on July 20, 1895.

Nov. 28, 1905. J. T. Rosenheimer 805,486  
POCKET TOOL  
Filed Sept. 21, 1905



Witnesses:

Arthur J. Green  
William Schuly

Inventor:

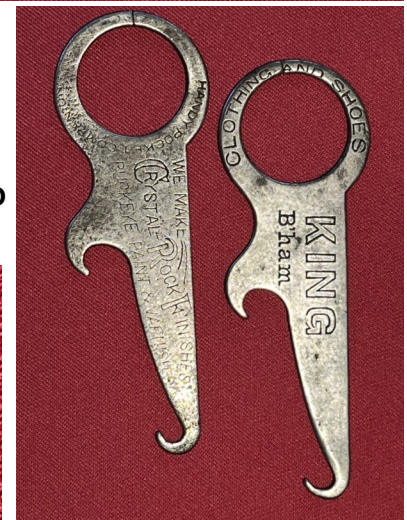
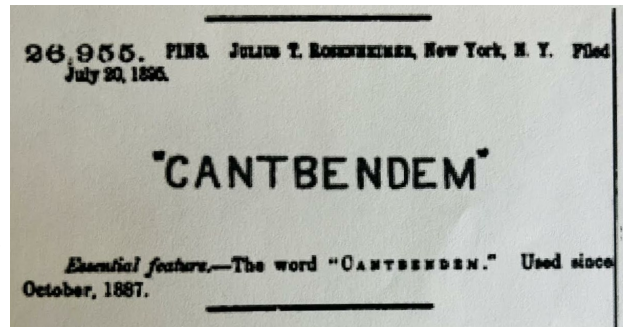
Julius T. Rosenheimer  
by Frank R. Rinehart Atty

Two years later he was granted a design patent for an elaborate folding card to hold needles. He followed that with another design patent for a "needle case." His next patent was for an invention that was amazingly out of character for a millionaire manufacturer. Rosenheimer was granted Patent No. 805,486 on November 28, 1905 for a "pocket tool," which could have just as easily been called a kitchen junk drawer tool.

Rosenheimer said in his patent application that his device was "more particularly designed for opening bottles though it may also be used for other purposes,"

including a key ring, a buttonhook and ruler. The just over 3-inch device was sold in bulk for advertising purposes.

For example, one is marked: **KING B'HAM** with **CLOTHIER AND SHOES** on the loop. The other side is marked : **J. HERMAN** above the 2-inch ruler and: **PATENTED NOV. 28, 1905** around the loop. Another model is marked: **WE MAKE CRYSTAL-ROCK FINISHES PAINT & VARNISH** and around the loop: **HANDY POCKET COMPANION** on one side and on the other side: **BUCKEYE PAINTS, COLORS AND VARNISHES** above a 2-inch ruler, and around the loop: **PATENTED NOV. 28, 1905**.



# Just For Openers January-December 2025 2

## Millionaire Manufacturer's

Handy Pocket Companion By Don Thornton

Unfortunately, Julius T. Rosenheimer is not remembered for his business success or his patents. It was his brutal murder on the grounds of his lush estate on June 18, 1907 in the wealthy suburban town of Pelham that created headlines in newspapers throughout the eastern United States. The Page 1 headline in the *New York Times* said it all:

The couple was walking on a path in the five-acre estate, called The Roses, when the 60-year-old Rosenheimer was attacked. "Almost before Rosenheimer had time to cry out to his wife, who was only a few feet away, his skull was crushed in," the *Times* said. The murder made front pages for several weeks, especially after three different suspects were charged and subsequently released. The case remains unsolved.

**SIDEBAR:** Rosenheimer's bottle opener combo tool is a near exact fit for a similar combo tool. Rosenheimer applied for his "pocket-tool" patent September 21, 1905 and it was granted November 28, 1905. Gilbert P. Coates applied for his "pocket implement" patent May 17, 1902 and it was granted January 27, 1903.

The main difference between the two products -- both featuring nearly exact hook bottle openers -- is Rosenheimer's tool ends with a button hook and Coates' with a screwdriver. But the obvious reason there were no patent questions is the fact Coates' patent was for a key holder screwdriver -- the hook was added when it was produced -- and the patent papers never updated with an improvement. (See *Gilbert P. Coates' Screwdriver JFO 2025 News.*)

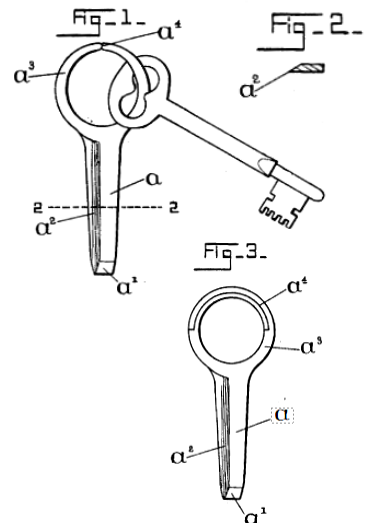
## MURDER MERCHANT WALKING IN GARDEN

Two Men Crush Skull of Julius  
T. Rosenheimer in His  
Wife's Presence.

## KILLED ON PELHAM ESTATE

Murderers Spring from Bushes, Beat  
Victim Down with a Heavy Mal-  
let, and Get Away.

Jan. 27, 1903. G. P. Coates 719,088  
POCKET IMPLEMENT  
Filed May 17, 1902



WITNESSES  
Frank J. Deane  
May F. Ritchie

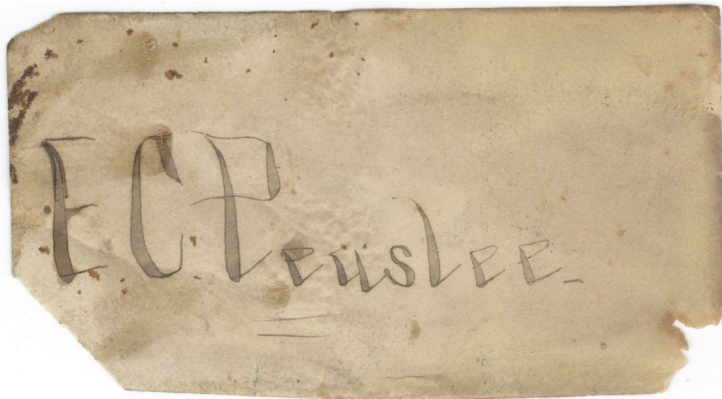
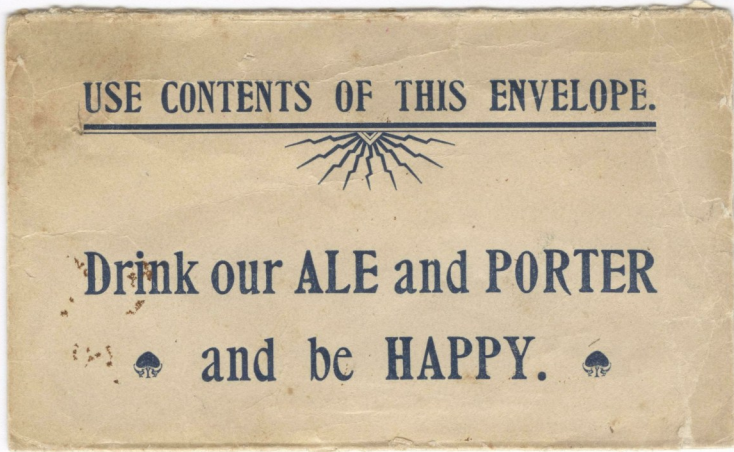
INVENTOR,  
Gilbert P. Coates  
BY HIS ATTORNEY,  
Frank A. Allen



# Just For Openers January-December 2025 3

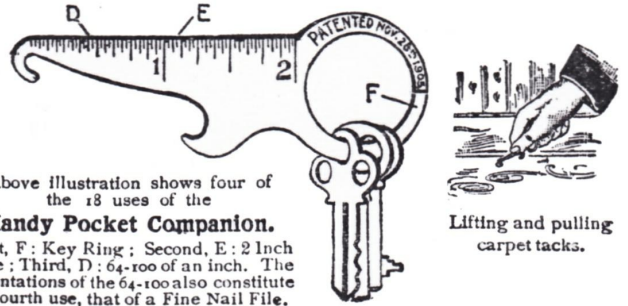
## Millionaire Manufacturer's

Handy Pocket Companion By Don Thornton



### THE HANDY POCKET COMPANION

Patented in European Countries, United States and Canada.  
Can be used for 18 different purposes as described  
and illustrated below.



Above illustration shows four of the 18 uses of the Handy Pocket Companion.

First, F: Key Ring; Second, E: 2 Inch Rule; Third, D: 64-100 of an inch. The indentations of the 64-100 also constitute the fourth use, that of a Fine Nail File.



**Bottle Cap Opener.** Opens quickly and is not dangerous, as it never breaks neck of the bottle like the common kind.

**Lifting any kind of thin handle pot or kettle from fire or stove.**

**Glove Buttoner.**



**Cigar box opener.**

**Pulling rusty or old pens from holder.**



**Winding up or tightening window shade springs.** Has no equal for this purpose.

**Shoe Buttoner.** There is no article made especially for the purpose that buttons shoes more easily.

**Pulling wire from bottles.**



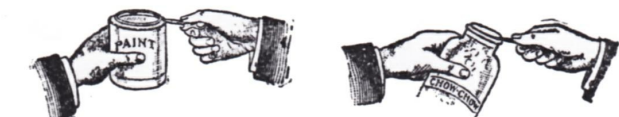
**Watch case opener.**

**Nail cleaner, always handy.**



**Basting thread puller.** Handiest article for the purpose that was ever invented.

**Fine Nail File, nothing more handy.**



**Paint Can Opener.**

**Wide mouth bottle opener.**



Peaslee opener came in an original envelope with his signature and the instruction sheet.