

Just For Openers January-December 2025 1

Smalstig's "World's Best" Cast Iron Can Opener By Don Thornton and John Stanley

Frederick C. Smalstig was so proud of his invention he wanted the world to know. His 1899 can opener, he believed, was a lally-cooler (to use a popular phrase of that day) and he didn't mess around -- he embossed its name in cast-iron. Thus the "WORLD'S BEST CAN OPENER" was born.

Smalstig, a resident of Allegheny, Pennsylvania, was granted Patent No. 626,507 on June 6, 1899 for a can opener he said was "an implement of simple construction which may be adjusted by one hand to cans of varied sizes." It should be noted that this punch and push opener was years before the invention of rotary crank and electric openers.

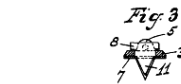
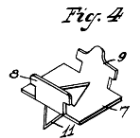
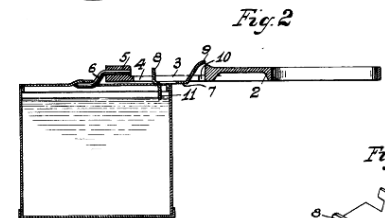
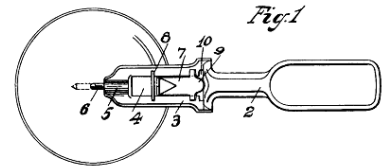
The 6 3/4-inch cast-iron beauty is marked on the curved handle **WORLD'S BEST CAN OPENER** and on its adjustable blade: **PAT. JUNE 6, 1899.**

Smalstig assigned half the 1899 patent to Gabriel Mayer, also a resident of Allegheny. Mayer was an officer of the World Manufacturing Company, which made and marketed the opener. In grocery store newspaper advertisements in

1900 the opener cost 10 cents.

Left: Six Variations of World's Best Can Opener.

June 6, 1899. F. C. Smalstig
CAN OPENER
Filed Jan. 28, 1899
626,507



Witnesses:
William J. Brown
[Signature]

Inventor
F. C. Smalstig
By J. M. Neale,
Attorney.



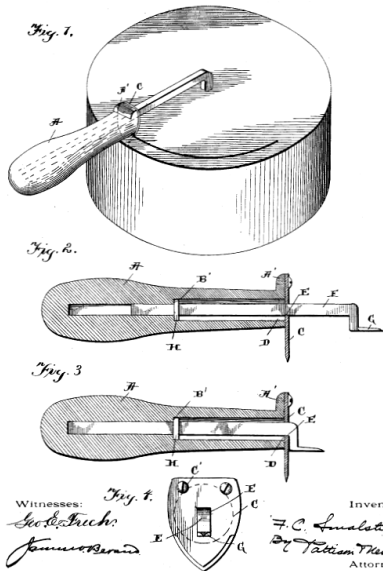
"The World's Best Can Opener,"
cuts circular piece from can lid.. 10c
Forbes', 321 Market St.

Just For Openers January-December 2025 2

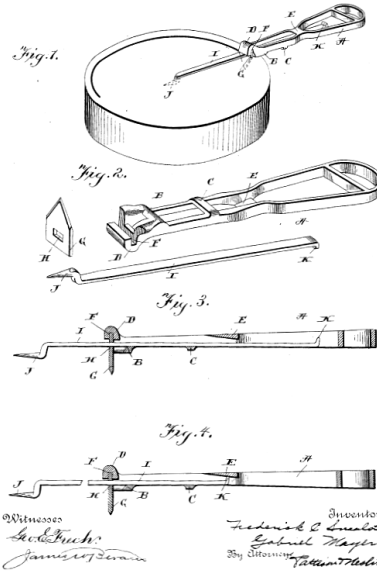
Smalstig's "World's Best" Cast Iron Can Opener By Don Thornton and John Stanley

Three more Smalstig patents from 1895, 1896 and 1907.

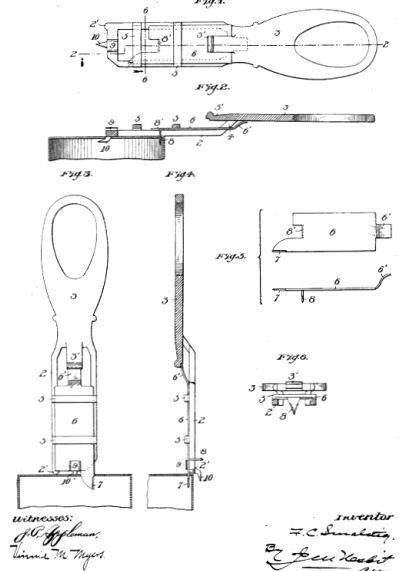
May 7, 1895. F. C. Smalstig
CAN OPENER
Filed Feb. 13, 1895
538,934



Aug. 4, 1896. F. C. Smalstig & G. Mayer 565,367
CAN OPENER
Filed Feb. 18, 1896



Feb. 12, 1907. F. C. Smalstig
CAN OPENER
Filed Dec. 30, 1905
844,202



An unmarked
1895 Patent Can
Opener (Top and
Bottom shown).



Top Two can
openers are
marked with the
1896 Patent
Date.

Bottom can
opener is
marked with the
1895 Patent
Date.



***Just For Openers* January-December 2025 3**

Smalstig's "World's Best" Cast Iron Can Opener By Don Thornton and John Stanley

World's Best Can Opener Original Box



Just For Openers January-December 2025 4

Smalstig's "World's Best"

Cast Iron Can Opener By Don Thornton and John Stanley

World's Best Can Opener Original Box Inside Flap (& Box Ends)

"WORLD'S BEST"

CAN OPENER



PAT.
JUNE 6 1899

"WORLD'S BEST"
CAN OPENER.

INSERT POINT IN CENTER OF
CAN, ADJUST KNIFE TO SIZE OF
OPENING REQUIRED, PRESS KNIFE
THROUGH THE TIN WITH HAND ON
HANDLE AS PER ABOVE ILLUSTRATION.
CUT EITHER TO RIGHT OR LEFT,
AS DESIRED.

WORLD MANUFACTURING CO.,

Office, No. 537 WOOD STREET, PITTSBURG, PA.



TRY ONE AND YOU WILL USE NO OTHER.

WORLD'S BEST

Easiest and Most Perfect

CAN OPENER

ONE DOZEN
WORLD'S BEST
CAN OPENER.