

Just For Openers January-December 2025 1

Schumacker's Palm Held

"Tap-N-Kap" Fizz Saver By Don Thornton and John Stanley

Bernard P. Schumacher of Bismarck, North Dakota, issued this warning in his aptly named "Tap-N-Kap" Patent No. 1,038,178, dated June 12, 1962: "It will of course be understood that various changes may be made in the form, details, arrangement and proportions of the parts without departing from the scope of applicant's invention..." And that warning proved true. The patent drawing for his "bottle cap removing and recapping device" doesn't come close to the tool that made it to market.

Schumacher said in his patent application his device was designed for bottles with beverages "such as soda pop." Its object, he said, was to provide a device "which is comfortably held in the palm of the hand and which permits substantial pressure to be easily exerted to either remove the bottle cap ... or in recapping said bottle."

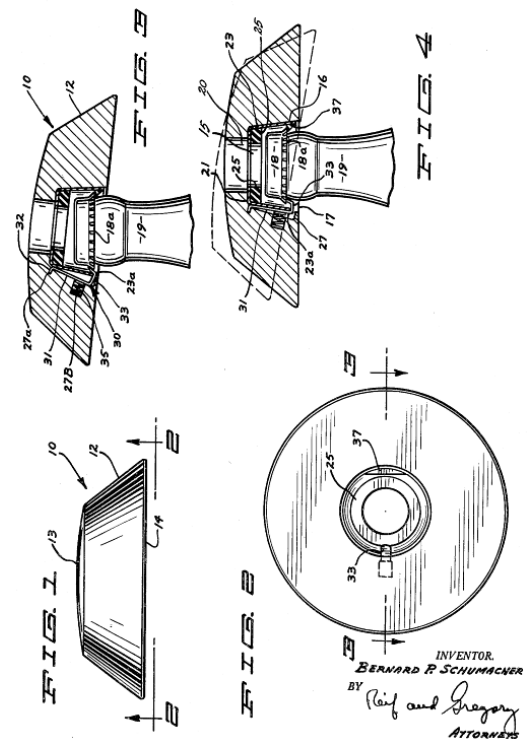
The patent drawing and text show the device has a single chamber to both remove the cap and to recap it. But the device that was manufactured has two chambers, the top one to open recap and the bottom one only to recap "for extra tight seal." The just under 6 1/4-inch device is marked on the top of the handle in the center: **TAP-N-KAP PAT. PEND.** The bottom was open for branding.

The TAP-N-KAP came with a cardboard backing that said in part:

"NEW FIZZ SAVER ... Re-caps air-tight with original cap. Keeps beverages 'bottler' fresh. Buy the large bottles and save money (pays for itself in no time)." The retail price was 98 cents. Schumacher was a well-known jeweler who opened Barney's Jewelry in Linton, North Dakota in 1956, moving the business to Bismarck in 1960. The retail business evolved into Schumacher Jewelry Manufacturing Inc., which produced gold jewelry for the wholesale trade.



June 12, 1962. B. P. Schumacher 3,038,178
BOTTLE CAP REMOVING AND RECAPPING DEVICE
Filed Oct. 10, 1960



Just For Openers January-December 2025 2

Schumacker's Palm Held

"Tap-N-Kap" Fizz Saver By Don Thornton and John Stanley



Tap-N-Kap with original package

Tap-N-Kap with an underneath instruction sticker

Tap-N-Kap with advertisement from Burwick Garage of Dickinson, North Dakota

