

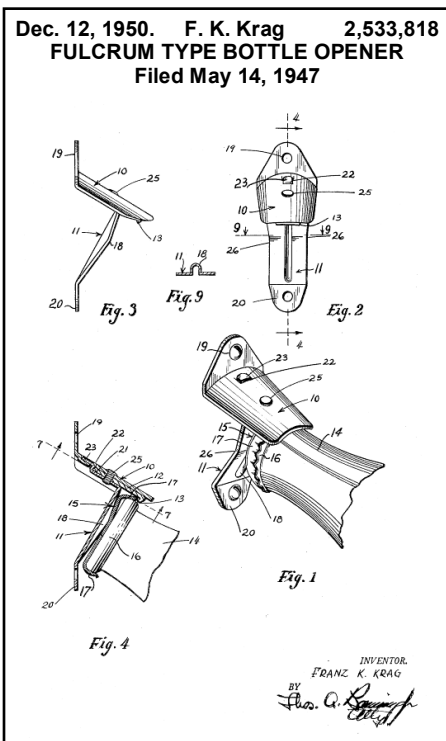
Just For Openers January-December 2025 1

Franz K. Krag

The Hook Does It By Don Thornton

Jars, cans and bottles could all be opened with Franz K. Krag's inventions. His tools unscrewed, cut, perforated, pierced or popped tops. The Chicago inventor was awarded at least seven patents for openers from 1935 to 1954.

Of all his devices, one stands out – his 1950 wall mount “fulcrum type bottle opener,” Patent No. 2,533,818. This is how Krag described it: “I have so designed the cap remover that when the cap removing action is initiated a rolling action is created, causing the cap itself in effect to roll about a center or axis ... thus expanding the flange to a point such that the cap is readily removed from the bottle.” The two screw wall mount is marked: **KRAG STEEL PRODUCTS CHICAGO, 12, ILLINOIS STAINLESS STEEL PAT. PEND. THE HOOK DOES IT.**



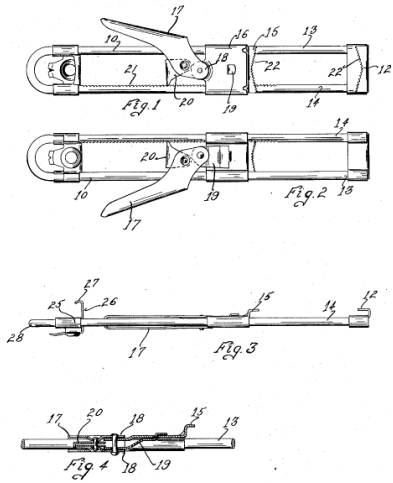
Krag started his opener career with a very efficient sliding jaw opener for jars in 1935 and over the years piggybacked it into different combination jar and tin can openers. And in addition to his wall “hook,” he patented a bar top can opener, or as he said, a can perforator.

Krag, a Danish immigrant who founded Krag Steel Products in Chicago about 1910, was granted Patent No. 2,000,962 on May 14, 1935 for a jar opener with a ratchet lock “clamping force” to remove screw tops. Based on the patent, Krag Steel Products produced two models. One of the 7-inch devices has the end handle bottle opener and vacuum lid popper as shown in the patent drawing, the other model does not. They are both marked only: **MADE IN U.S.A. PAT. NO. 2000962.** Some have an additional **PATS. PEND.**

Just For Openers January-December 2025 2

Franz K. Krag The Hook Does It By Don Thornton

May 14, 1935. F. K. Krag 2,000,962
CAN OR JAR OPENER
Filed Aug. 13, 1932

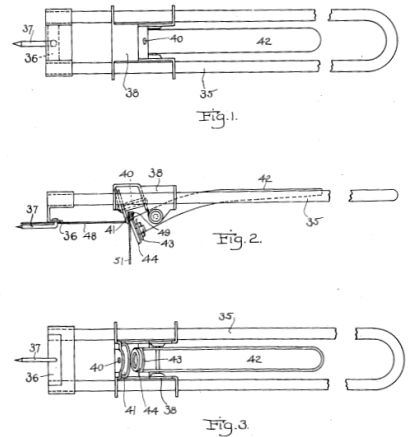


INVENTOR:
Franz K. Krag
By E. J. Andrew
Att'y.



His next opener patent came in 1941 and was designed to open cans – “to cut out a disk of any desired size from the metal top of the can.” This is how the spike punch opener worked: “In operation, the point is forced through the center of the can top and the handle is then turned downwardly flat against the top of the can. The frame is then slid along so that the wheel is positioned against the edge of the can where it is desired to cut the top ... then the cutter is forced through the can top.” By the time it made it to market, the 8-inch device was a combination of the spike punch opener and the original jar opener. It also had had a bottle opener/lid popper mounted on the end as in Patent No. 2,000,962. And it is marked: **MADE IN U.S.A. PAT. NO. 2000962 PATS. PEND.**

Sept. 2, 1941. F. K. Krag 2,254,533
CAN OPENER
Filed April 3, 1939



Inventor:
Franz K. Krag,
by E. J. Andrew
Att'y.



Just For Openers January-December 2025 3

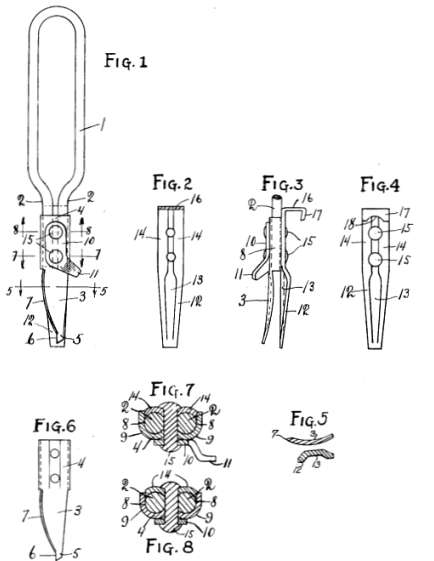
Franz K. Krag

The Hook Does It By Don Thornton

Next came another combination, this one with a can piercing and cutting blade and a bottle opener/lid popper (but no jar remover). Krag was granted Patent No. 2,388,615 on November 6, 1945 for this opener that he branded the **ALL IN ONE**. The 6 1/2-inch device is marked: **JAR AND CAN OPENER ALL IN ONE MADE IN U.S.A.** and in smaller type: **MADE IN U.S.A. PAT. PEND.** In a later model Krag expanded the **ALL IN ONE** to include his jar opener design of his original patent. This 8 1/2-inch wonder is marked the same on the blade guard as the first **ALL IN ONE**. It is also marked on the sliding jar opener jaws: **MADE IN U.S.A. PAT. NO. 2000962.**



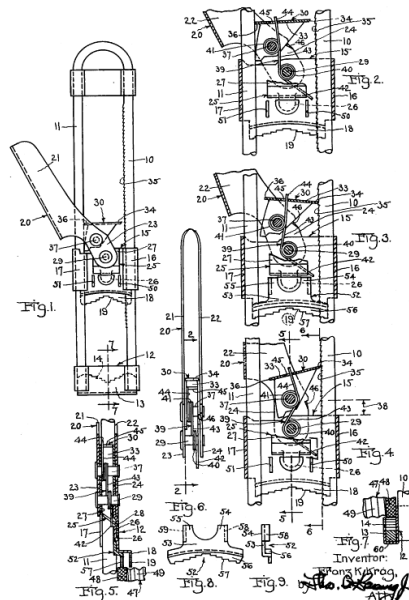
Nov. 6, 1945. F. K. Krag 2,388,615
CAN OPENER
Filed May 4, 1944



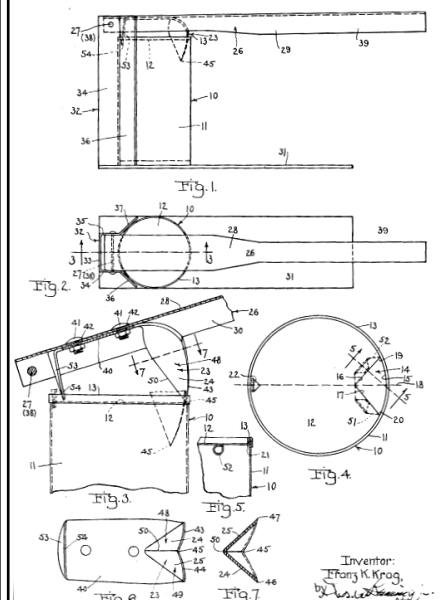
Inventor
Franz K. Krag
By *Rudolph W. Krag, Atty.*



April 14, 1953. F. K. Krag 2,634,638
SLIDING JAW SCREW CAP REMOVER
Filed Jan. 24, 1952



Feb. 2, 1954. F. K. Krag 2,667,690
CAN OPENER AND THE LIKE
Filed May 31, 1952



Inventor:
Franz K. Krag
By *Rudolph W. Krag, Atty.*

Krag also was granted a patent in 1953 for a "sliding jaw screw cap remover" that he said was an improvement on his jar opener patent issued 18 years earlier. However, it apparently did not make it past the patent stage. Another invention that apparently did make to the market was a 1954 bar top stationary two-hold can puncher. Patent No. 2,667,690, he said, utilized a lever action "in which the end of the can is perforated in such a manner as to allow the contents of the can to be ... drunk directly from the can. Many cans containing beer and other beverages are used for direct consumption of their contents..."

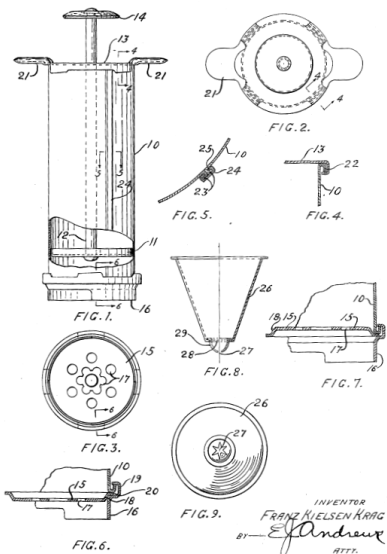
Just For Openers January-December 2025 4

Franz K. Krag

The Hook Does It By Don Thornton

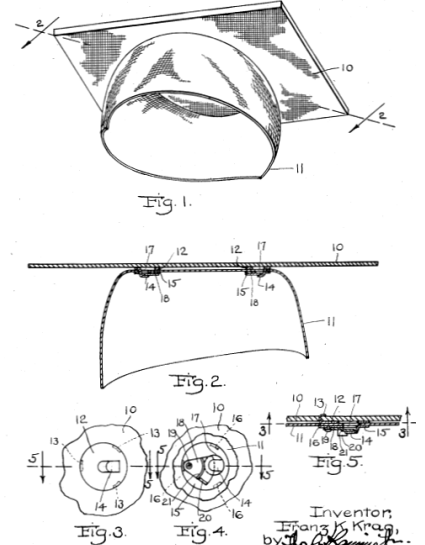
In addition to opening jars and cans, Krag was into making cookies and decorating cakes. In 1937, two years after his original opener invention, Krag was awarded a patent for a “food dispensing device,” or a batter dispenser. Patent No. 2,101,075 dated December 7, 1937, features what the patent papers said was a device comprised of “a cylinder in which is mounted a piston.” Different disks mounted on the cylinder dispenser allowed it to be utilized for multiple uses, according to the papers. Made by Krag Steel Products it was packaged over the years with the names **COMBINATION CAKE DECORATOR AND COOKIE MAKER** and **KRAG’S COOKIE MAKER AND DECORATOR**.

Dec. 7, 1937. F. K. Krag 2,101,075
FOOD DISPENSING DEVICE
Filed June 3, 1935



To top off, or cap, Krag’s patent career, there is his “mortarboard cap,” Patent No. 2,289,370 dated July 14, 1942. “This invention relates to improvements in mortar-board caps, and the like, such as are used in graduation exercises, and various formal school and college and university functions, etc.,” he said in his application.

July 14, 1942. F. K. Krag 2,289,370
MOTORBOARD CAP AND THE LIKE
Filed Nov. 7, 1939



Krag served as president of Krag Steel Products until his retirement in 1955. He died at the age of 82 in 1957 in Coral Gables, Florida. His obituary in the Miami Herald on March 20 of that year said: “A winter visitor from Chicago for the last 35 years, he took up permanent residence here six month ago.”

Just For Openers January-December 2025 5

Franz K. Krag

The Hook Does It By Don Thornton



In its later opener production years, Krag manufactured a simple but effective pocket size hand opener for bottles and vacuum jars. This example, from the collection of John Eblen, shows the top was available for branding. This advertiser was Canfield's, a Chicago carbonated beverage company founded in 1924.