

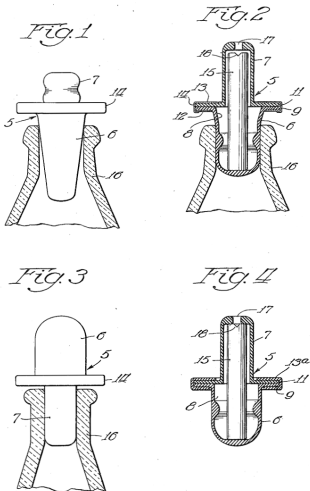
Just For Openers January-December 2026 1

George A. Kimber's 3 Korks

By Don Thornton

George A. Kimber of Chicago was into "korks." He was the inventor behind the design and manufacturing of the Kimberkork, the Midgetkork and the Vakumkork. Kimber, who immigrated from Birmingham, England to Chicago in his 20s, was granted three patents, in 1938, 1944, and 1953, for bottle stoppers, or as he called them "korks."

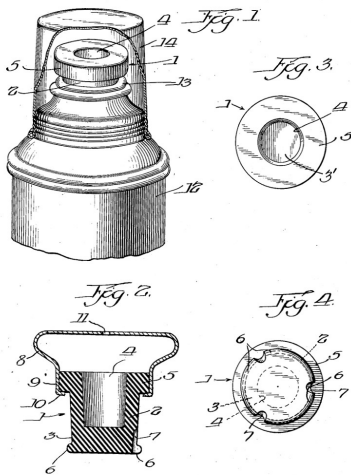
March 15, 1938. G. A. Kimber 2,111,069
BOTTLE STOPPER
Filed Feb. 6, 1937



Inventor:
George A. Kimber
By: Hill & Hill Attys

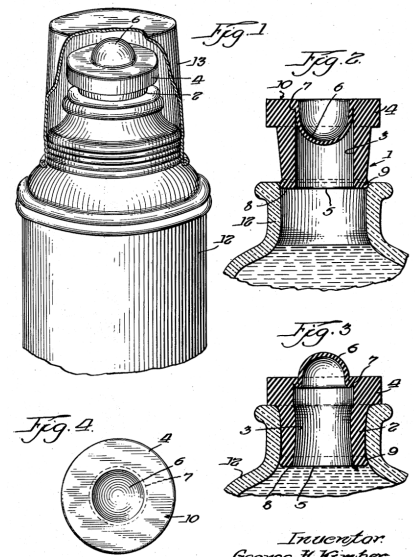
Witness:
W. Sigander

July 18, 1944. G. A. Kimber 2,353,674
CORK
Filed July 16, 1941



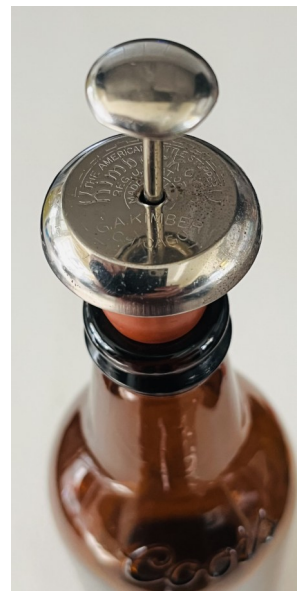
Inventor:
George A. Kimber
By: Shee & Shee Attys

April 7, 1953. G. A. Kimber 2,634,014
BOTTLE STOPPER
Filed Dec. 22, 1949



Inventor:
George A. Kimber
By: Shee & Shee Attys

His most popular stopper was marked: **KIMBERKORK THE AMERICAN BOTTLE STOPPER U.S. PAT. OFF. G. A. KIMBER CHICAGO**. It comes in at 3-inches with the rubber cork at about 1 3/4-inches. Next came the bit smaller stopper marked: **MIDGETKORK PAT APPLD FOR G. A. KIMBER CHICAGO**. It comes in at 2 3/4-inches with the cork measuring 1 1/2-inches.



Just For Openers January-December 2026 2

George A. Kimber's 3 Korks

By Don Thornton

Kimber began production of his first stopper at his Kimberkork Company, 2041 Cicero Avenue, Chicago, years before he applied for and was granted his patent in 1938. Newspaper advertisements for the Kimberkork (19 cents) first appeared in 1929: "Preserves Freshness of carbonated beverages to the Last Drop." The first ad for the Midget (Regular 25c Value) appeared in 1937.



Ads for the Kimberkork were infrequent, off and on for two decades until the early 1950s when there was a heavy rotation in newspapers across the country. For example a 1953 newspaper advertisement boasted: KIMBERKORK SAVES FIZZ! and listed the retail price at 19 cents.

The Midgetkork did not get the same advertising treatment as the Kimberkork, but it was touted to retailers in a few ads in trade magazines. For example, advertisements in a 1941 edition of *Chainstore Age* featured the Midget and Vakumkork.

Kimber was 91 when he died in 1963. His obituary in the *Chicago Tribune* on September 17 of that year said he was founder and owner of the Kimberkork Company. "Mr. Kimber was a mechanical engineer engaged in construction of bridges across the Chicago River before founding the company ... It manufactured bottle stoppers invented by him."

FOOTNOTE: Kimber was not the first to use kork for cork in a stopper name. That honor goes to another manufacturer who first used the name in 1909. See George Williams Kork-N-Seal, JFO news 2026.