

Just For Openers January-December 2026 1

Crown Cork's Midget "Stopper Extractor"

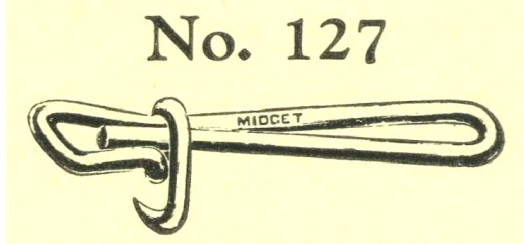
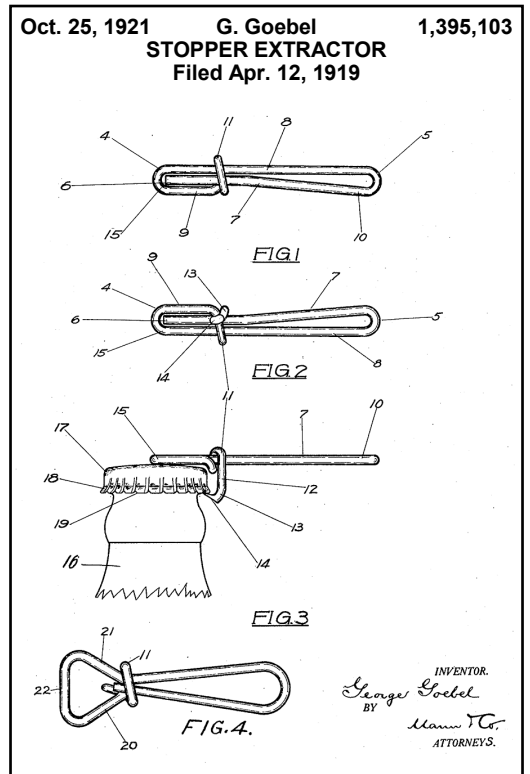
By Don Thornton

During his career at the Crown Cork and Seal Company, George Goebel was awarded an impressive 25 patents, all of which he assigned to his prosperous employer. Goebel came to the United States from Germany in 1905, settling with his family in Detroit. They moved to Baltimore in 1915 where Goebel went to work for Crown Cork, which at the time and into the future controlled the production of an estimated one-half of the world's bottle caps.

He was awarded his first patent in 1921 for an all wire, small bottle opener, which he called a "stopper extractor." What followed the next 22 years were 16 different patents for machines used in the cap making and marking processes, six patents for metal containers and caps, one patent for a gun for lamination, and one patent for a long cork stopper.

In his opener patent application, Goebel said his invention was "especially designed for the extraction or removal of bottle closures of the crown type." He said it "will reliably engage the crown" and "not accidentally slip or become disengaged during the operation of extracting the crown, with the accompanying liability of injuring the hand of the operator." Referring to its small size, he also said his opener "when under extracting strain, will tend to more closely bind the several bars of wire together and thereby produce greater rigidity of the parts when strains are applied thereto."

It is not known if Crown Cork manufactured the 2 1/4-inch long, hard-to-find opener before licensing the patent to Vaughan Novelty Manufacturing Company of Chicago. Vaughan noted the No. 127 "Midget" opener in a 1920s advertisement featuring wire openers "added to the extensive Vaughan line."



A FEW NEW NUMBERS IN WIRE BOTTLE OPENERS
ADDED TO THE EXTENSIVE VAUGHAN LINE

No. 191 	No. 189 	No. 190
No. 177 	No. 179 	No. 127
No. 186 	No. 63 	

PRICES AND SAMPLES ON REQUEST
ASK FOR BOTTLE OPENER FOLDER

VAUGHAN NOVELTY MFG. CO., Inc.
3211-25 Carroll Avenue CHICAGO, ILLINOIS